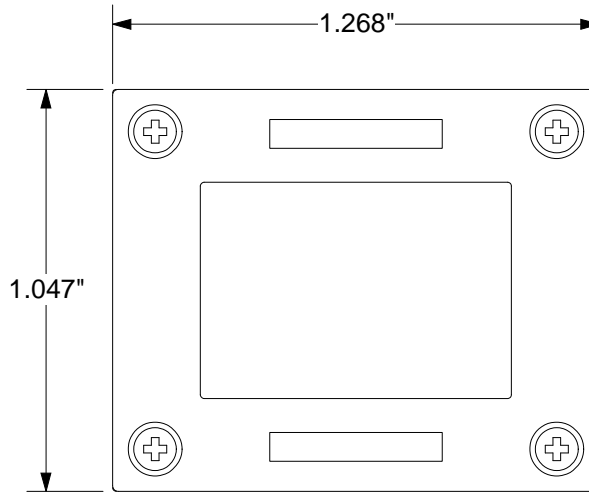
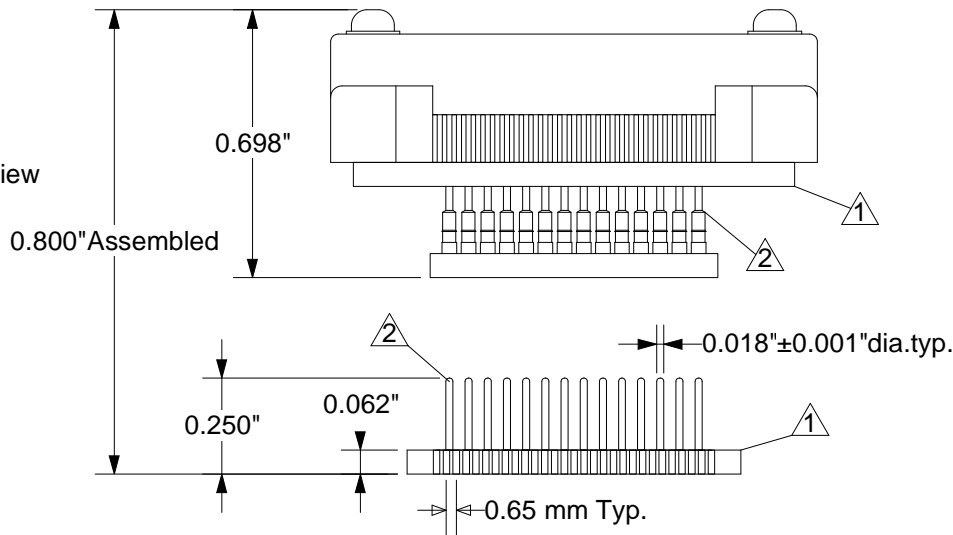


Top View



Side View




* Inserted

Description:

Carrier Adaptor: Converts a Yamaichi production socket (p/n IC 149-100-014-S5) for a 100 pin rectangular .65 mm pitch QFP to a surface mount leadless foot.

All tolerances: $\pm 0.005"$ (unless otherwise stated). Materials and specifications are subject to change without notice.	
1	Substrate: $0.0625" \pm 0.007"$ Fr4/G10 or equivalent high temp material.
2	Pins: shell material- Brass; finish- $10\mu"$ Gold over $50\mu"$ Nickel (min.).

 <p>© 1994 IRONWOOD ELECTRONICS, INC. PO BOX 21151 ST. PAUL, MN 55121 Tele: (651) 452-8100 www.ironwoodelectronics.com</p>	<p>CA-QFE100RB-L-D-01 Drawing</p>	<p>Status: Released</p>	<p>Scale: 2:1</p>	<p>Rev: A</p>
	<p>Drawing: G. Nelson</p>	<p>Date: 11/03/94</p>	<p>File: CA-QFE100RB-L-D-01 Dwg; V1</p>	<p>Modified:</p>