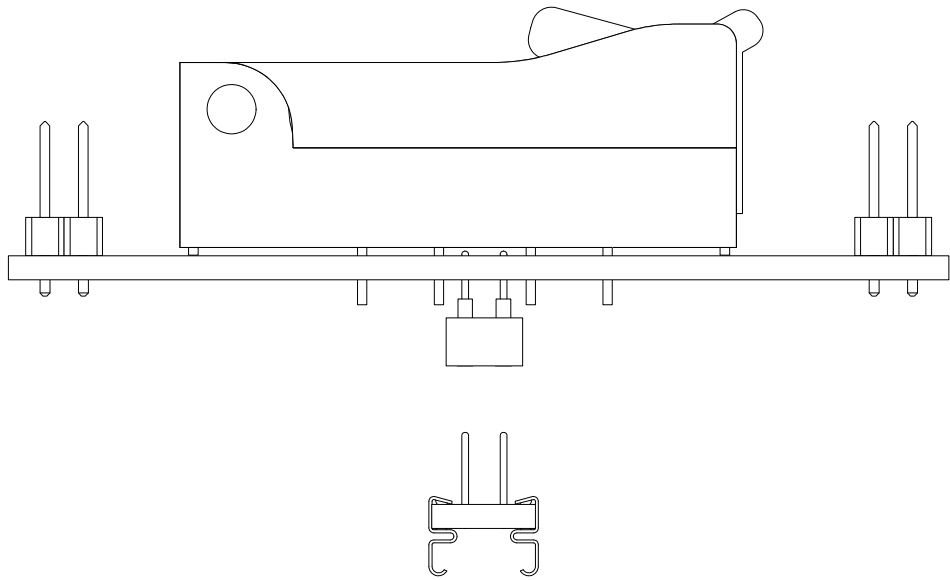



Top View

Side View



Description: Carrier Adapter  
8 pin SOIC ZIF socket to 8 pin SOIC J-leded foot

All tolerances:  $\pm 0.005"$  (unless stated otherwise). Materials and specifications are subject to change without notice.

|   |   |                            |                   |              |
|---|---|----------------------------|-------------------|--------------|
|  | <b>CA-SO8A-Z-J-T-01 Map</b><br>© 1997 IRONWOOD ELECTRONICS, INC.<br>PO BOX 21151 ST. PAUL, MN 55121<br>Tele: (651) 452-8100<br><a href="http://www.ironwoodelectronics.com">www.ironwoodelectronics.com</a> | Status: Released           | Scale: 2:1        | Rev: B       |
|   |   | Drawing by: E. V. Swanson  |                   | Date: 7/1/97 |
|   |   | File: CA-SO8A-Z-J-T-01 Map | Modified: 6/11/98 |              |