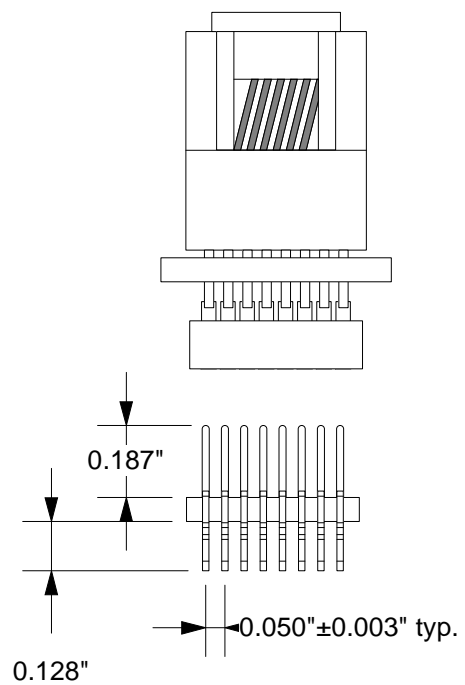
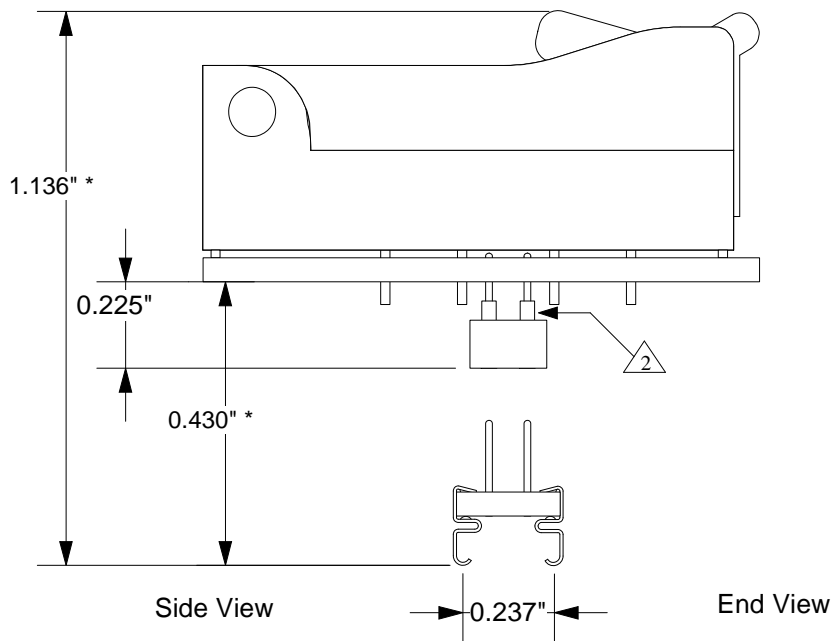



- ① Substrate: 0.0625"±0.007" FR4/G10 or equivalent high temp material. 1/2 oz. Cu clad. SnPb plating
- ② Pins: shell material- Brass Alloy 360 1/2 hard; finish- 10µ" Au over 50µ" Nil (min.). Contact material- BeCu; finish 10µ" Au over 100µ" Ni (min.)



Description: CARRIER ADAPTOR

16 position ZIF Socket to 16 position surface mountable j-leaded foot. Pin mapping is 1:1

All tolerances: ±0.005" (unless stated otherwise). Materials and specifications are subject to change without notice.

	CA-S016A-Z-J-01 Drawing	Status: Released	Scale: 2:1	Rev: A	
	© 1998 IRONWOOD ELECTRONICS, INC. PO BOX 21151 ST. PAUL, MN 55121 Tele: (651) 452-8100 www.ironwoodelectronics.com	Drawing by: Ila Pal	Date: 9/21/98		
		File: CA-SO16A-Z-J-01 Dwg	Modified:		