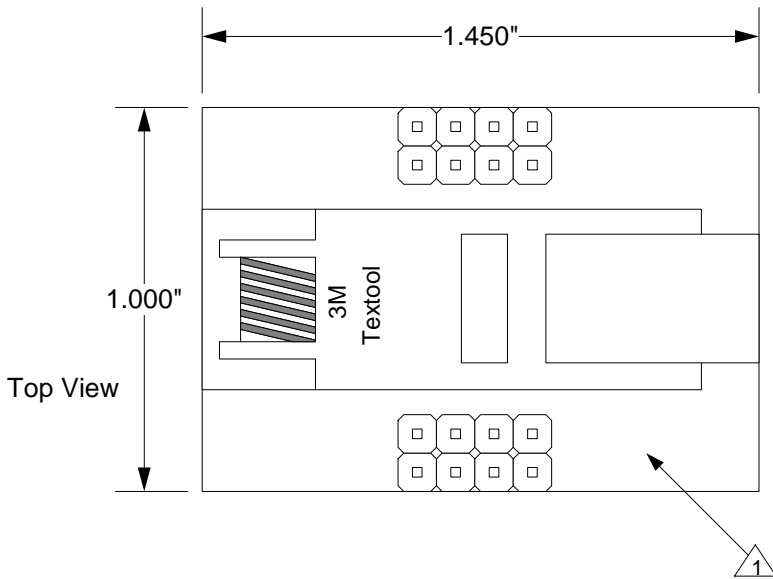
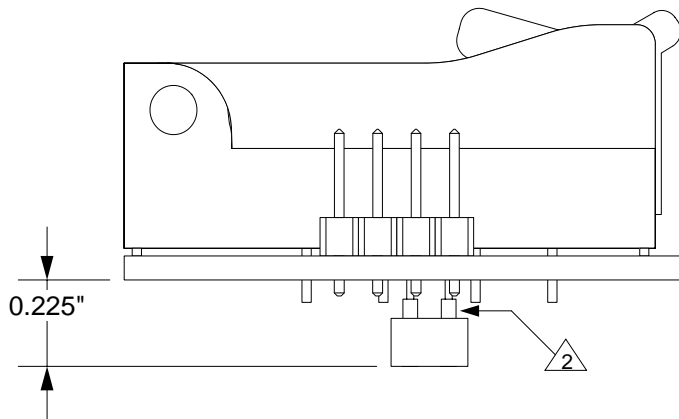


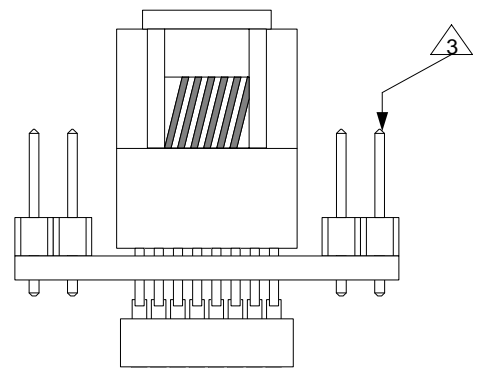
# RoHS COMPLIANT



- 1 Substrate: 1.59mm  $\pm$ 0.18mm [0.0625"  $\pm$ 0.007"] per IPC 4101/21, lead free HASL surface finish.
- 2 Pins: shell material- Brass Alloy 360 1/2 hard; finish- 10 $\mu$ " Au over 50 $\mu$ " Ni (min.). Contact material- BeCu; finish 10 $\mu$ " Au over 100 $\mu$ " Ni (min.)
- 3 Test points: material- Phosphor Bronze; plating- Sn over 50 $\mu$ " Ni. Gold flash on contact end.



Side View



End View

Description: CARRIER ADAPTOR

16 position ZIF Socket to 16 position Mini Grid Socket Pin mapping is 1:1

All tolerances:  $\pm$ 0.005" (unless stated otherwise). Materials and specifications are subject to change without notice.

	<b>CA-S016A-Z-M-T-01F Drawing</b>	Status: Released	Scale: 2:1	Rev: A	
	© 2007 IRONWOOD ELECTRONICS, INC. Tele: (800) 404-0204 www.ironwoodelectronics.com	Drawing by: J. Glab	Date: 10/17/07		Modified:
		File: CA-SO16A-Z-M-T-01F Dwg			