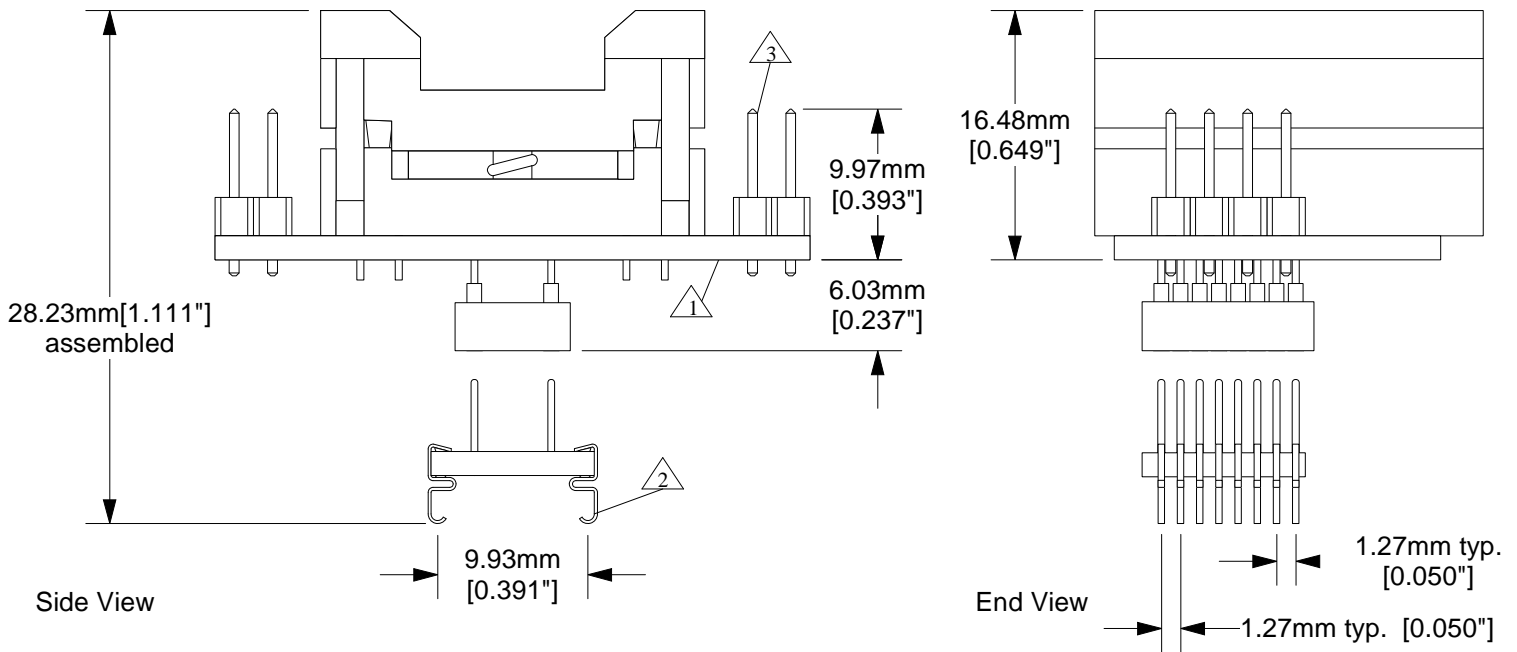


Top View



Side View

End View

① Substrate: 1.59mm ±0.18mm [0.0625" ±0.007"]  
FR4/G10 or equivalent high temp material. 17µm [1/2 oz.] Cu clad. SnPb plating.


② Leads: material- BeCu Alloy 194; plating- 60/40 SnPb 3.80-10.16µm [150-400µ\"/>

③ Test points: material- Phosphor Bronze; plating- Sn over 1.27µm [50µ\"/>

**Description: CARRIER ADAPTOR**

A two piece surface mountable device with optional test points converting a 16 position SOIC (gull-wing) ZIF socket to a 16 position J-leaded surface mount foot (fits on land pattern layed out for gull-wing package).

Tolerances: diameters ±0.03mm [±0.001\"/>

	<b>CA-SO16B-Z-J-T-01 Drawing</b>	Status:Released	Scale: 2:1	Rev: C
	© 1997 IRONWOOD ELECTRONICS, INC. PO BOX 21151 ST. PAUL, MN 55121 Tele: (651) 452-8100 www.ironwoodelectronics.com	Drawing: EVS		Date: 7/24/97
		File: CA-SO16B-Z-J-T-01 Dwg	Modified: 5/11/00	