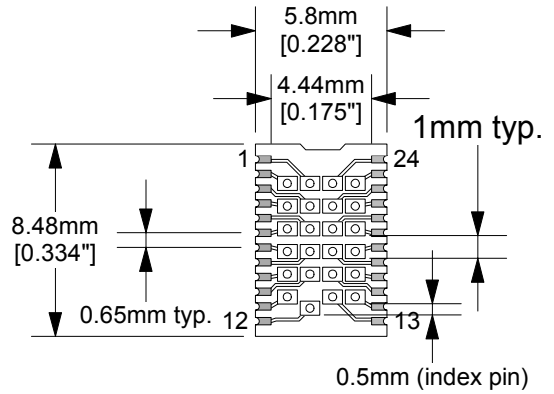
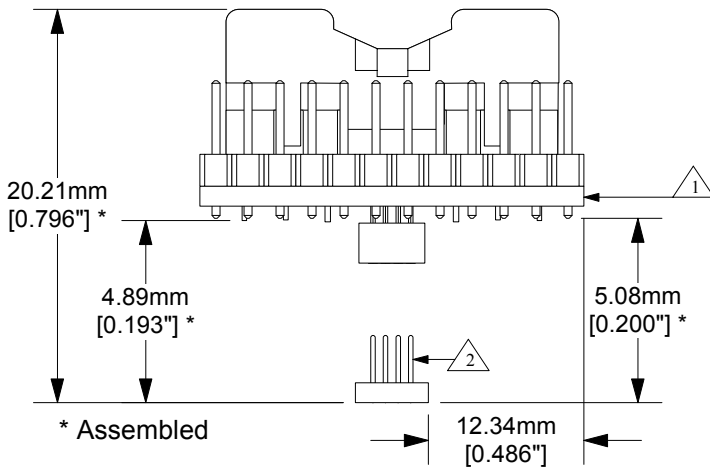


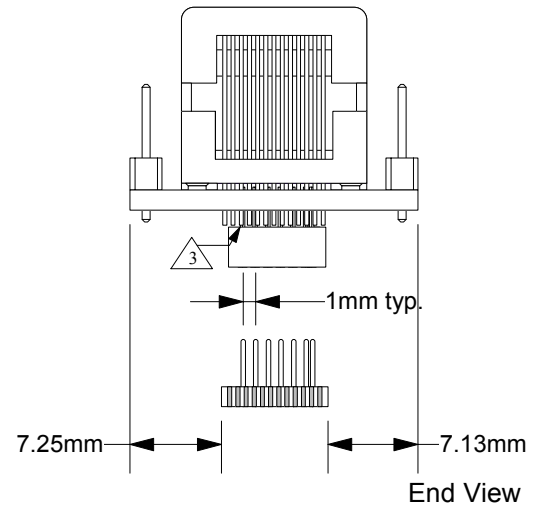
Top View



Surface Mount Foot, Top View (scale 3:1)



Side View



End View

1 Substrate: 0.0625"±0.007" FR4/G10 or equivalent high temp material. 1/2 oz. Cu clad. SnPb plating


2 Pins: Material- Brass Alloy 360 1/2 hard; finish- 10µ" Au over 50µ" Ni (min.).

3 Pins: shell material- Brass Alloy 360 1/2 hard; finish- 10µ" Au over 50µ" Ni (min.). Contact material- BeCu; finish 10µ" Au over 100µ" Ni (min.)

4 Test points: material- Phosphor Bronze; plating- Sn over 50µ" Ni. Gold flash on contact end.

Description: Carrier Adaptor (CA), TSSOP
24 position TSSOP type II ZIF socket with test points and mini grid array pluggable interface to 24 TSSOP type II surface mount foot, leadless type.

Tolerances: ±0.005" (unless stated otherwise). Materials and specifications are subject to change without notice.

	CA-SO24K-Z-L-T-01 Drawing	Status: Released	Scale 2:1	Rev: A
	© 2004 IRONWOOD ELECTRONICS, INC. PO BOX 21151 ST. PAUL, MN 55121 Tele: (651) 452-8100 www.ironwoodelectronics.com	Drawing: P Jasmin		Date: 8/24/04
		File: CA-SO24K-Z-L-T-01 Dwg.mcd	Modified:	