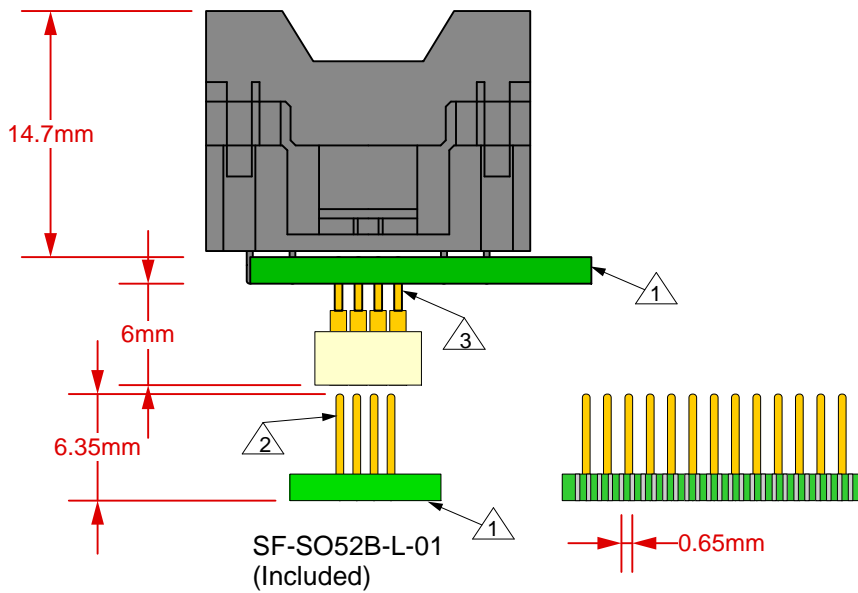
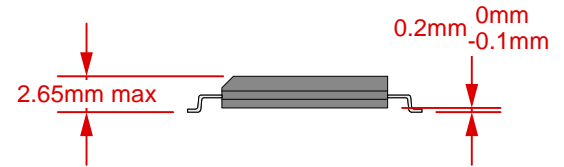
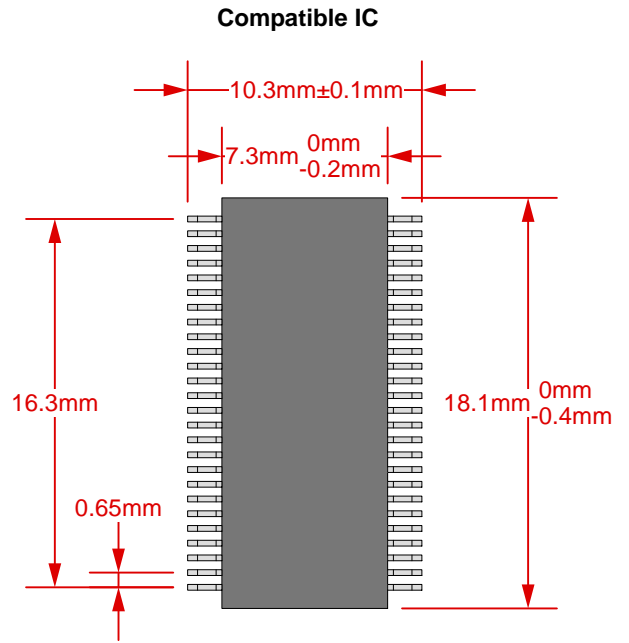
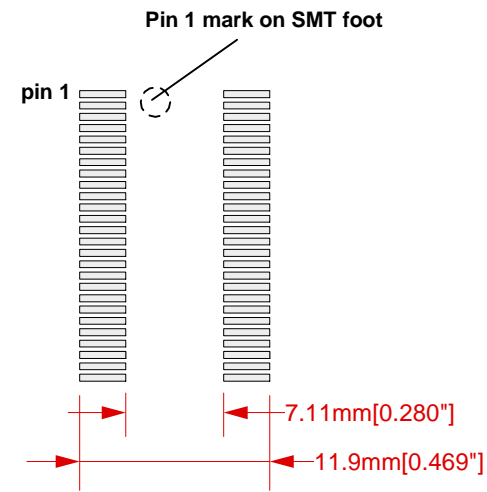


Top View



End View

Side View (SMT foot only)



Compatible target board land dimensions

- 1 Substrate: 1.59mm ± 0.18mm [0.0625" ± 0.007"] FR4/G10 or equivalent high temp material. 17µm [1/2 oz.] Cu clad. RoHS plating.
- 2 Pins: material- Brass Alloy 360 1/2 hard; finish- 0.25µm [10µ"] Au over 1.27µm [50µ"] Ni (min.).
- 3 Pins: shell material- Brass Alloy 360 1/2 hard; finish- 0.25µm [10µ"] Au over 1.27µm [50µ"] Ni (min.). Contact material- BeCu; finish 0.25µm [10µ"] Au over 2.54µm [100µ"] Ni (min. ).



Description: **CARRIER ADAPTOR**  
Carrier adaptor for SO52B, 0.65mm pitch.

All tolerances: ±0.005" (unless stated otherwise). Materials and specifications are subject to change without notice.

CA-SO52B-L-Z-01 Drawing

Status: Released

Scale: 3:1

Rev: A



© 2011 IRONWOOD ELECTRONICS, INC.  
Tele: (800) 404-0204  
www.ironwoodelectronics.com

Drawing by: E Smolentseva

Date: 4/19/11

File: CA-SO52B-L-Z-01 Dwg

Modified: