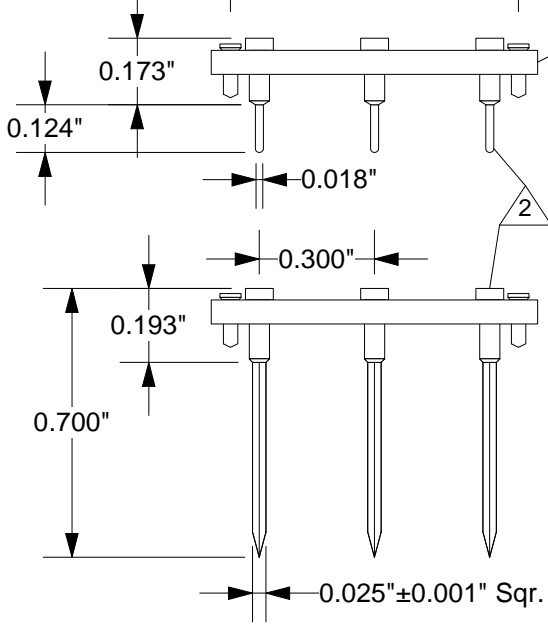


Top View



Side View

PA-SDIP64-01


PA-SDIP64-01W

- △ 1 Substrate: 0.0625"±0.007" FR4/G10 or equivalent high temp material.
- △ 2 Pins: shell material- Brass; finish- 10µ" gold over 50µ" nickel (min.).
- △ 3 Pins: shell material- Brass; shell finish- 10µ" Gold over 50µ" Nickel (min.). Contact material- Beryllium copper; contact finish 10µ" Gold over 100µ" Nickel (min.)

Description: Prototyping adaptor

64 position Shrink Dip (0.07" center pins)socket receptacles to 0.1" center terminals. Add "W" to end of part number for wire wrap version.

All tolerances: ±0.005" (unless stated otherwise). Materials and specifications are subject to change without notice.

	PA-SDIP64-01(W) Drawing	Status: Released	Scale 2:1	Rev: D
	© 1990 IRONWOOD ELECTRONICS, INC. PO BOX 21151 ST. PAUL, MN 55121 Tele: (651) 452-8100 www.ironwoodelectronics.com	Drawing: P Jasmin		Date: 1/5/90
		File: PA-SDIP64-01 Dwg	Modified: 12/14/99	