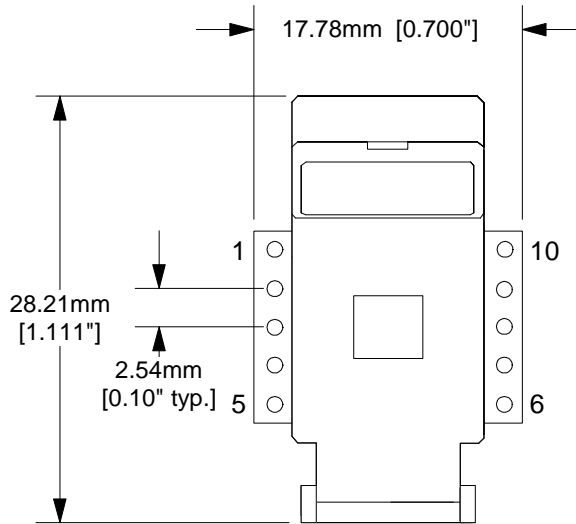
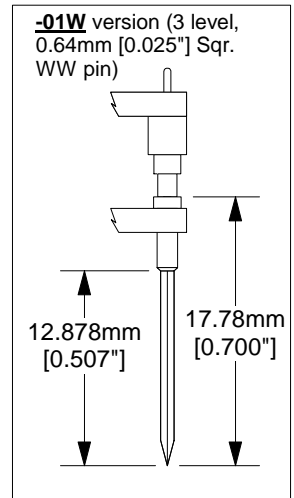
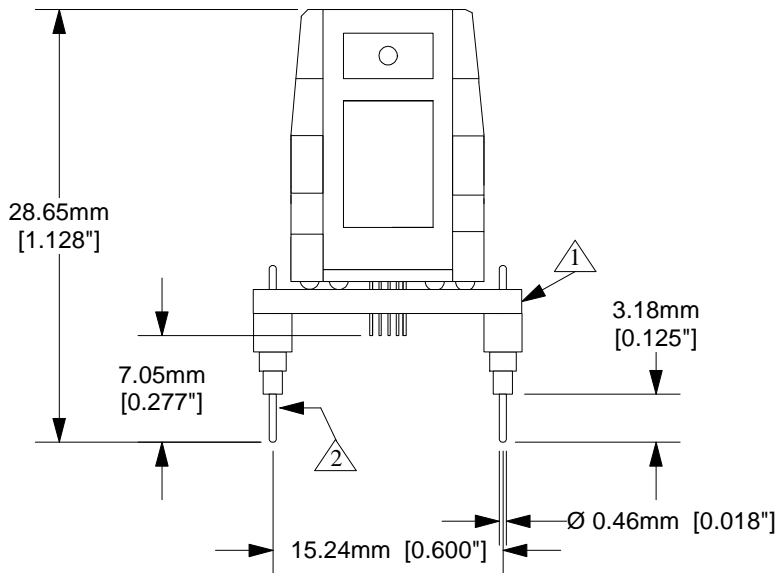


Top View



Side View



Substrate: 0.0625"±0.007" FR4/G10 or equivalent high temp material. 1/2 oz. Cu clad. SnPb plating




Pins: Material- Brass Alloy 360 1/2 hard; finish- 10µ" Au over 50µ" Ni (min.).

**Description:** Prototyping Adaptor (PA)

10 position (0.5mm pitch) MSOP ZIF socket to 10 position type P male pins. Add "W" to part number for optional wire wrap sub-base.

All tolerances: ±0.005" (unless stated otherwise). Materials and specifications are subject to change without notice.

	<p><b>PA-SO10C-P-Z-01 Drawing</b></p> <p>© 2004 IRONWOOD ELECTRONICS, INC.          PO BOX 21151 ST. PAUL, MN 55121          Tele: (651) 452-8100          www.ironwoodelectronics.com</p>	Status: Released	Scale: 2:1	Rev: A	
		Drawing: H. Hansen		Date: 2/12/04	
		File: PA-SO10C-P-Z-01 Dwg.mcd			Motified: