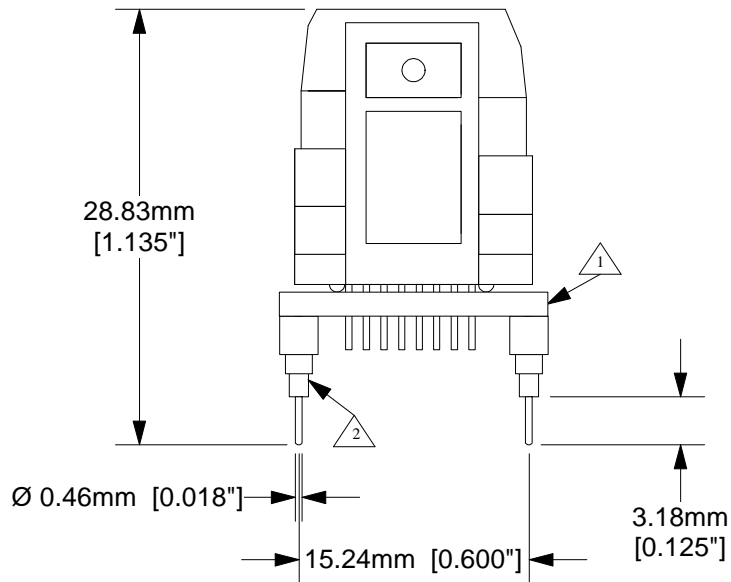
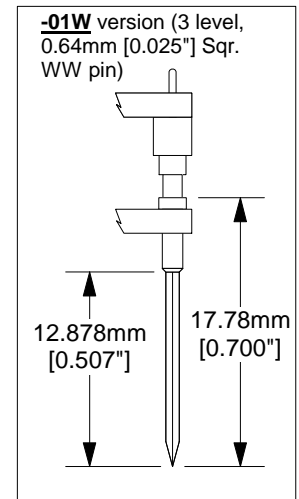


Top View



Side View




- ① Substrate: 0.0625"±0.007" FR4/G10 or equivalent high temp material. 1/2 oz. Cu clad. SnPb plating
- ② Pins: Material- Brass Alloy 360 1/2 hard; finish- 10µ" Au over 50µ" Ni (min.).

Description: Prototyping Adaptor (PA)

16 position (1.27mm pitch) SOIC ZIF socket to 16 position type P male pins. Add "W" to part number for optional wire wrap sub-base.

All tolerances: ±0.005" (unless stated otherwise). Materials and specifications are subject to change without notice.

	<p>PA-SO16A-P-Z-01 Drawing</p> <p>© 2004 IRONWOOD ELECTRONICS, INC. PO BOX 21151 ST. PAUL, MN 55121 Tele: (651) 452-8100 www.ironwoodelectronics.com</p>	Status: Released	Scale: 2:1	Rev: A	
		Drawing: H. Hansen		Date: 2/13/04	
		File: PA-SO16A-P-Z-01 Dwg.mcd			Modified: