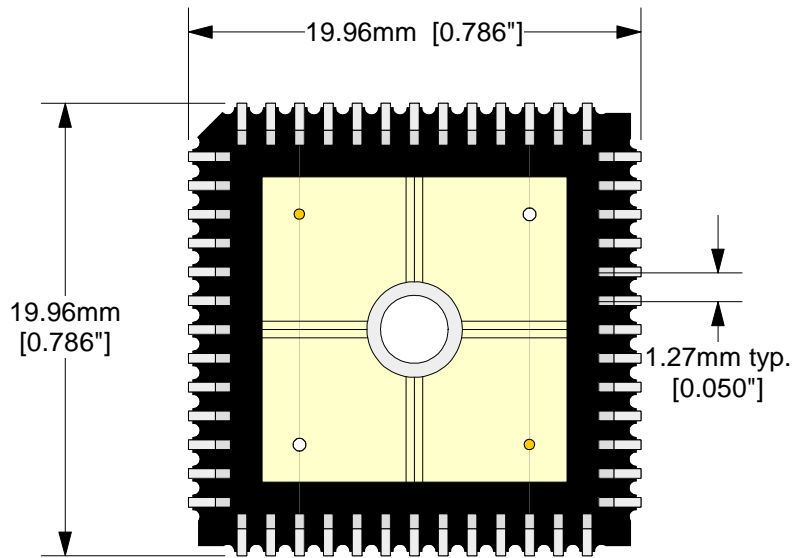
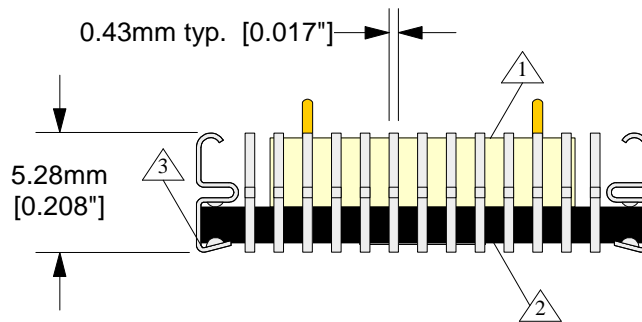


Top View




Side View



- △1 Substrate: 1.59mm ±0.18mm [0.0625" ±0.007"]
FR4/G10 or equivalent high temp material. 17µm [1/2 oz.] Cu clad. SnPb plating.
- △2 Substrate: 3.06mm ±0.18mm [0.120" ±0.007"]
FR4/G10 or equivalent high temp material. Non-clad.
- △3 Leads: material- BeCu Alloy 194; plating- 60/40 SnPb 3.80-10.16µm [150-400µ"].

Description: Plug
44 pin PLCC smt plug with 4-40 press fit threaded insert.

Tolerances: diameters ±0.03mm [±0.001"], PCB perimeters ±0.13mm [±0.005"], PCB thicknesses ±0.18mm [±0.007"], pitches (from true position) ±0.08mm [±0.003"], all other tolerances ±0.13mm [±0.005"] unless stated otherwise. Materials and specifications are subject to change without notice.

PL-PLCC52-S-03 Drawing		Status: Released	Scale: 2:1	Rev: A
	© 2003 IRONWOOD ELECTRONICS, INC. PO BOX 21151 ST. PAUL, MN 55121 Tele: (651) 452-8100 www.ironwoodelectronics.com		Drawing: H. Hansen Date: 1/22/03	
			File: PL-PLCC52-S-03 Dwg Modified:	