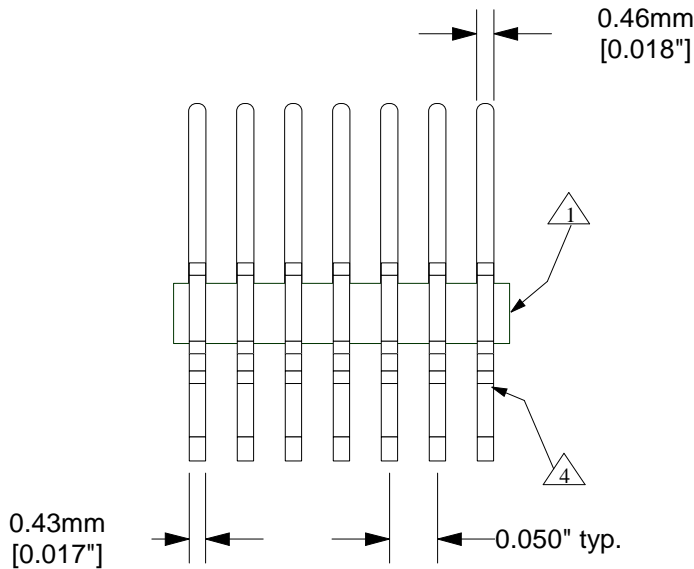
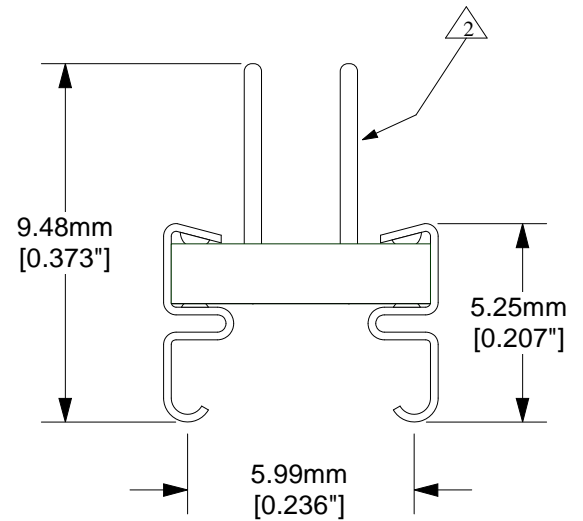


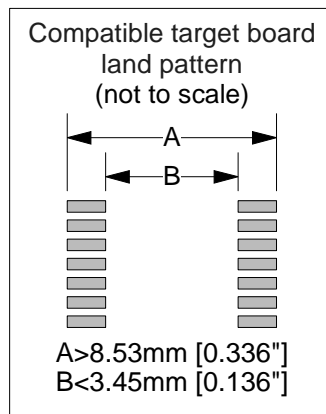
Top View



Side View



End View



1 Substrate: 1.59mm ±0.18mm [0.0625" ±0.007"] FR4/G10 or equivalent high temp material. 17µm [1/2 oz.] Cu clad. SnPb plating.

2 Pins: material- Brass Alloy 360 1/2 hard; finish- 0.25µm [10µ"] Au over 1.27µm [50µ"] Ni (min.).

4 Leads: material- BeCu Alloy 194; plating- 60/40 SnPb 3.80-10.16µm [150-400µ"].

Description: SO surface mount emulator foot
14 position (0.05" pitch) J-led surface mountable emulator foot, with Mini grid array (MGA) pin interface.

Tolerances: diameters ±0.03mm [±0.001"], PCB perimeters ±0.13mm [±0.005"], PCB thicknesses ±0.18mm [±0.007"], pitches (from true position) ±0.08mm [±0.003"], all other tolerances ±0.13mm [±0.005"] unless stated otherwise.

	SF-SO14A-J-01 Drawing		Status: Released	Scale: 5:1	Rev: C
	© 1995 IRONWOOD ELECTRONICS, INC. PO BOX 21151 ST. PAUL, MN 55121 Tele: (651) 452-8100 www.ironwoodelectronics.com		Drawing: P Jasmin		Date: 5/24/95
			File: SF-SO14A-J-01 Dwg		Modified: 4/18/00