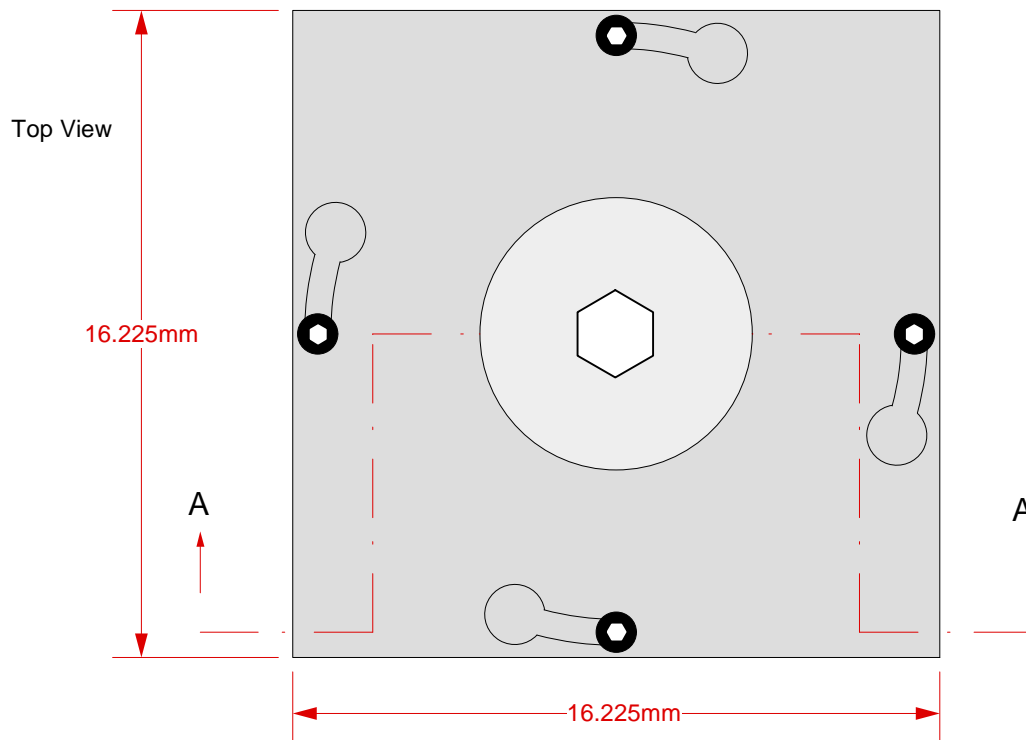


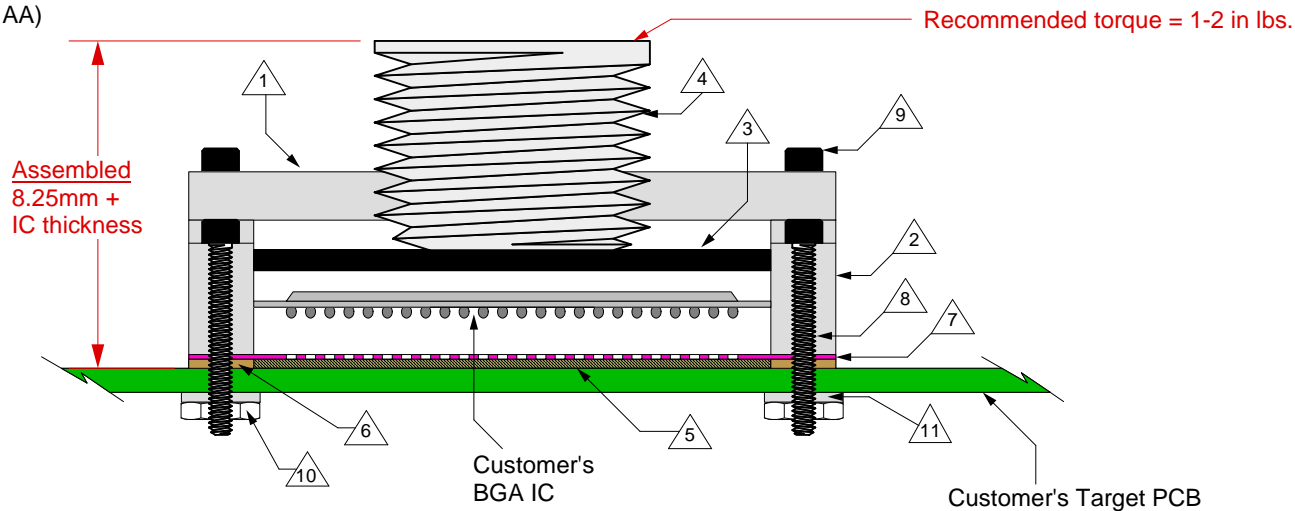
GHz BGA Socket - Direct mount, solderless

Features

- Directly mounts to target PCB (needs tooling holes) with hardware.
- High speed, reliable Elastomer connection
- Minimum real estate required
- Compression plate distributes forces evenly
- Ball guide prevents over compression of elastomer
- Easily removable swivel socket lid



Side View
(Section AA)



- △ 1 Socket Lid: Black anodized Aluminum. Thickness = 2.5mm.
- △ 2 Socket base: Black anodized Aluminum. Thickness = 5mm.
- △ 3 Compression Plate: Black anodized Aluminum. Thickness = 2.5mm.
- △ 4 Compression screw: Black anodized Aluminum. Thickness = 5mm, Hex socket = 5mm.
- △ 5 Elastomer: 40 micron dia gold plated brass filaments arranged symmetrically in a silicone rubber (63.5 degree angle). Thickness = 0.75mm.
- △ 6 Elastomer Guide: Non-clad FR4. Thickness = 0.725mm.
- △ 7 Ball Guide: Kapton polyimide.
- △ 8 Socket base screw: Socket head cap, Alloy steel with black oxide finish, 0-80 fine thread, 9.525mm long.
- △ 9 Socket lid screw: Shoulder screw, 18-8 SS, 0-80 fine thread.
- △ 10 Socket base nut: 18-8 Stainless steel, 0-80 fine thread.
- △ 11 Nylon washer: 1.73mm ID; 4.78mm OD 0.64mm thickness.

SG-BGA-6212Drawing

Status: Released

Scale: -

Rev: F



© 2006 IRONWOOD ELECTRONICS, INC.
11351 Rupp Drive, Suite 400, Burnsville, MN 55337
Tele: (952) 229-8200
www.ironwoodelectronics.com

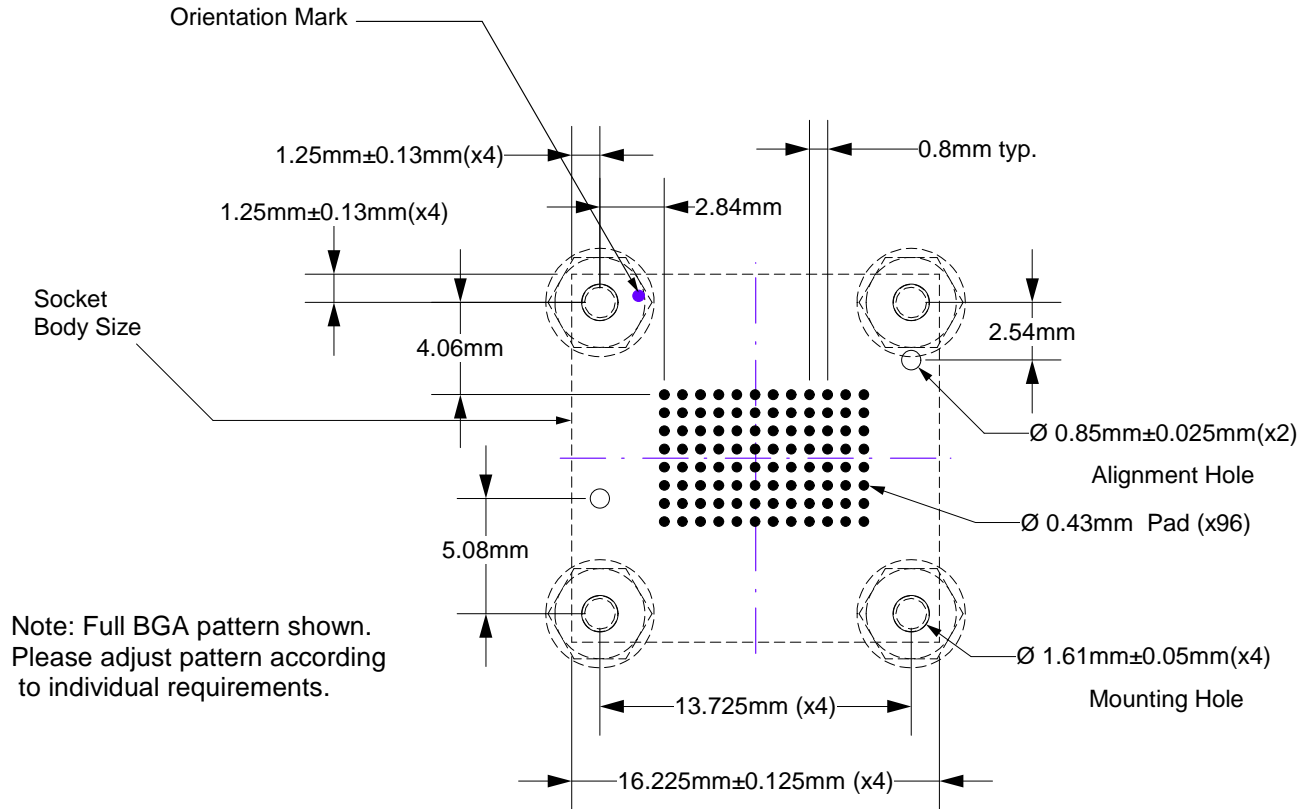
Drawing: J. Glab

Date: 12/18/06

File: SG-BGA-6212 Dwg.mcd

Modified: 7/7/09

All tolerances: ± 0.125 mm (unless stated otherwise). Materials and specifications are subject to change without notice.



Target PCB Recommendations


Total thickness: 1.6mm min.

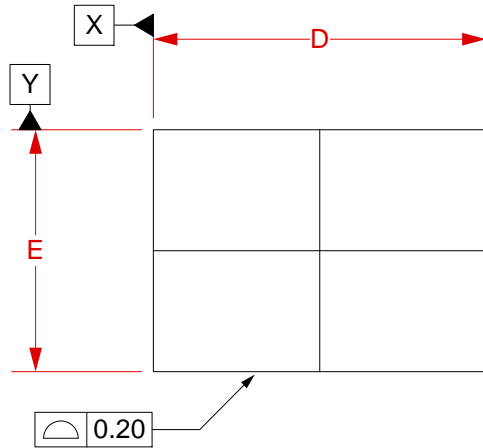
Plating: Gold or Solder finish

PCB Pad height: Same or higher than solder mask

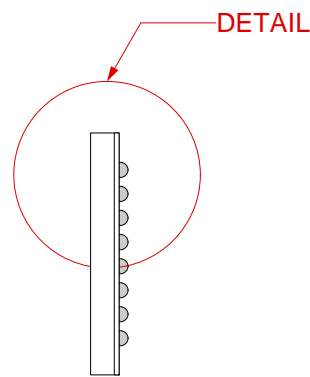
NOTE: Steel backing plate may be required based on end user's application

Recommended PCB Layout Tolerances: ±0.025mm [±0.001"] unless stated otherwise.

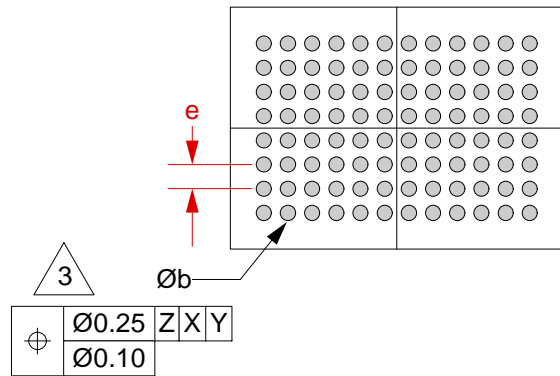
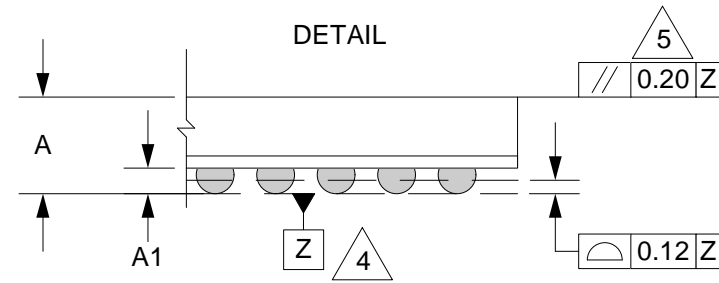
	SG-BGA-6212 Drawing	Status: Released	Scale: 3:1	Rev: F
	© 2006 IRONWOOD ELECTRONICS, INC. 11351 Rupp Drive, Suite 400, Burnsville, MN 55337 Tele: (952) 229-8200 www.ironwoodelectronics.com	Drawing: J. Glab		Date: 12/18/06
		File: SG-BGA-6212 Dwg.mcd	Modified: 7/7/09	



TOP VIEW



SIDE VIEW




BOTTOM VIEW

- 1 Dimensions are in millimeters.
- 2 Interpret dimensions and tolerances per ASME Y14.5M-1994.
- 3 Dimension b is measured at the maximum solder ball diameter, parallel to datum plane Z.
- 4 Datum Z (seating plane) is defined by the spherical crowns of the solder balls.
- 5 Parallelism measurement shall exclude any effect of mark on top surface of package.

DIM	MIN	MAX
A		1.4
A1	0.25	0.37
b		0.5
D	11.00 BSC	
E	8.00 BSC	
e	0.80 BSC	

Array 12 x 8

	SG-BGA-6212 Drawing	Status: Released	Scale: -	Rev: F
	© 2006 IRONWOOD ELECTRONICS, INC. 11351 Rupp Drive, Suite 400, Burnsville, MN 55337 Tele: (952) 229-8200 www.ironwoodelectronics.com	Drawing: J. Glab		Date: 12/18/06
		File: SG-BGA-6212 Dwg.mcd	Modified: 7/7/09	