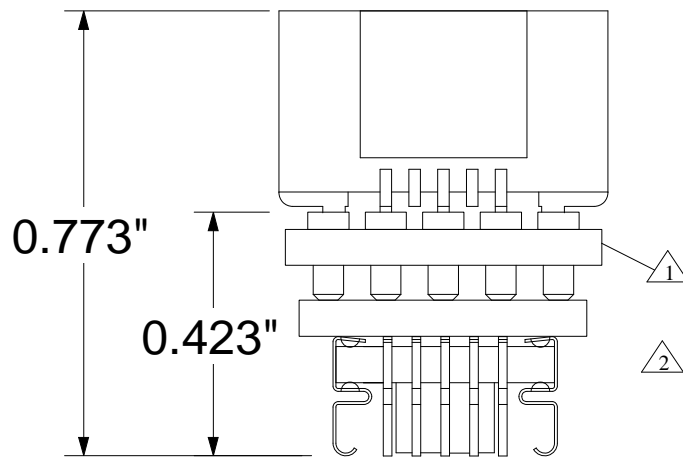
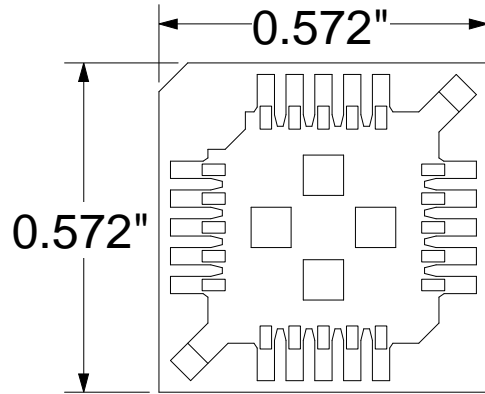



20 pin PLCC production socket to 20 pin surfacemount PLCC foot



△1 Substrate: 0.0625"±0.007" FR4/G10 or equivalent high temp material. 1/2 oz. Cu clad. SnPb plating

△2 Leads: material- BeCu Alloy 194; plating- 60/40 SnPb (150-400µ")

All tolerances: ±0.005" (unless stated otherwise). Materials and specifications are subject to change without notice.

 <p>XT-PLCC20-02 Dwg © 1994 IRONWOOD ELECTRONICS, INC. PO BOX 21151 ST. PAUL, MN 55121 Tele: (651) 452-8100 www.ironwoodelectronics.com</p>	Status: Released	Scale: 3:1	Rev :A
	Drawing: G. Nelson		Date:9/13/94
	File: XT-PLCC20-02		Modified:7/30/98