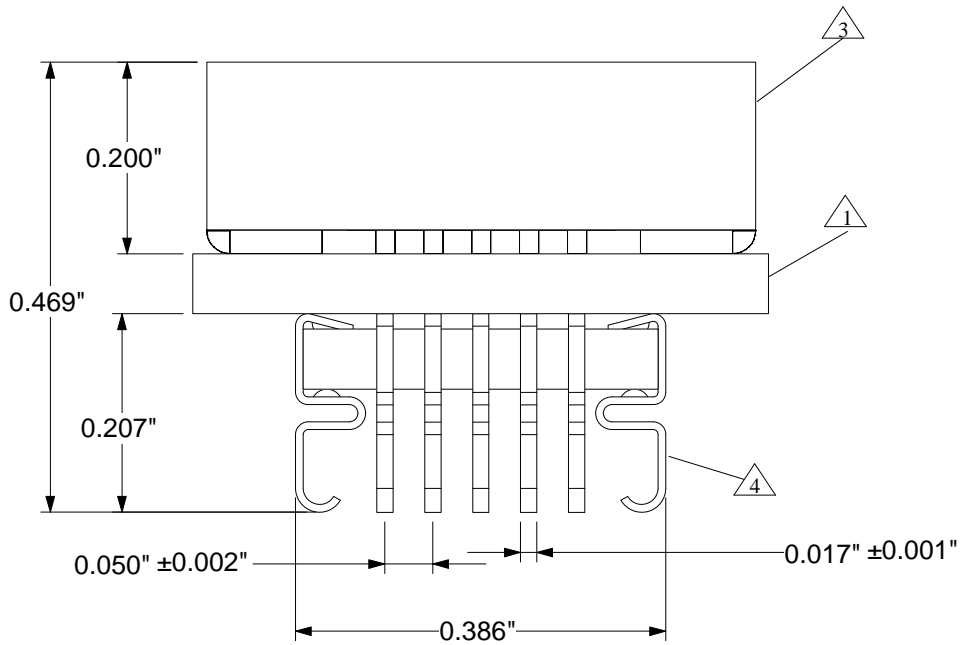


Top View



Side View

- ① Substrate: 0.0625"±0.007" FR4/G10 or equivalent high temp material. 1/2 oz. Cu clad. SnPb plating
- ④ Leads: material- BeCu Alloy 194; plating- 80/20 SnPb.
- ③ Socket Contacts: Material- Phosphor Bronze, finish: 150µ" 93/7 SN/PB over 40µ" Ni.

Description: EXTENDER  
 20 position PLCC production socket to 20 position surface mountable J-leded PLCC foot.

All tolerances: ±0.005" (unless stated otherwise). Materials and specifications are subject to change without notice.

	<b>XT-PLCC20-03 Drawing</b>	Status: Released	Scale 5:1	Rev: C
	© 1997 IRONWOOD ELECTRONICS, INC. PO BOX 21151 ST. PAUL, MN 55121 Tele: (651) 452-8100 www.ironwoodelectronics.com	Drawing: Ila Pal		Date: 9/29/97
		File: XT-PLCC20-03 Dwg	Modified: 12/26/99	