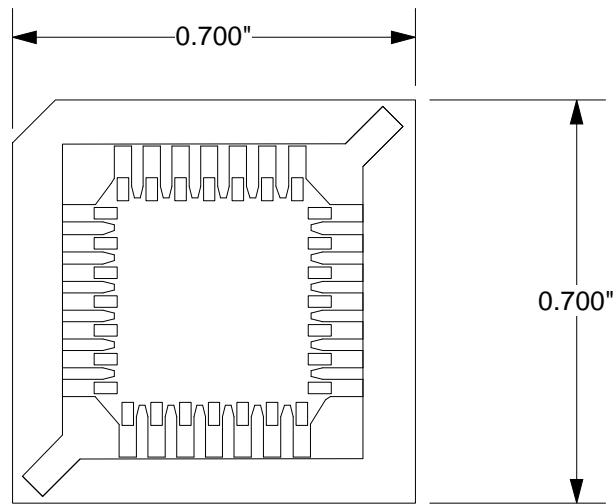
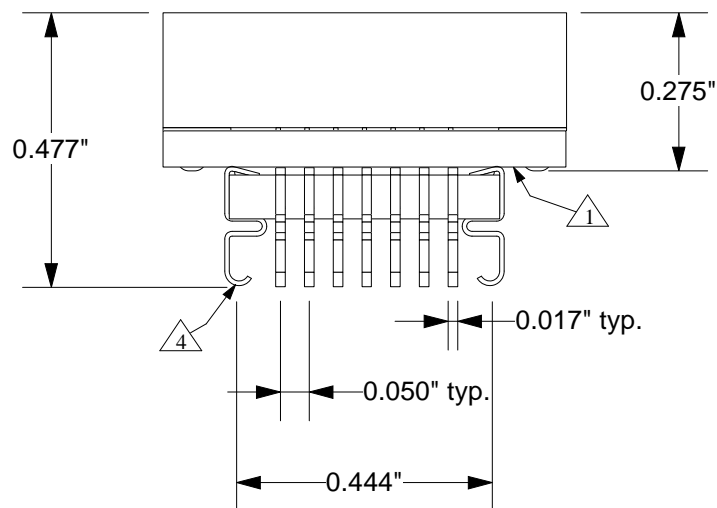


Top View



Side View




△ 1 Substrate: 0.0625"±0.007" FR4/G10 or equivalent high temp material. 1/2 oz. Cu clad. SnPb plating

△ 4 Leads: material- BeCu Alloy 194; plating- 60/40 SnPb (150-400µ")

Description: EXTENDER:
28 position PLCC production socket to J-leaded surface mount foot..

All tolerances: ±0.005" (unless stated otherwise). Materials and specifications are subject to change without notice.

	XT-PLCC28-03 Drawing	Status: released	Scale: 3:1	Rev: A
	© 1998 IRONWOOD ELECTRONICS, INC. PO BOX 21151 ST. PAUL, MN 55121 Tele: (651) 452-8100 www.ironwoodelectronics.com	Drawing by: P. LeBeau		Date: 4/22/98
		File: XT-PLCC28-03 Dwg	Modified: 7/30/98	