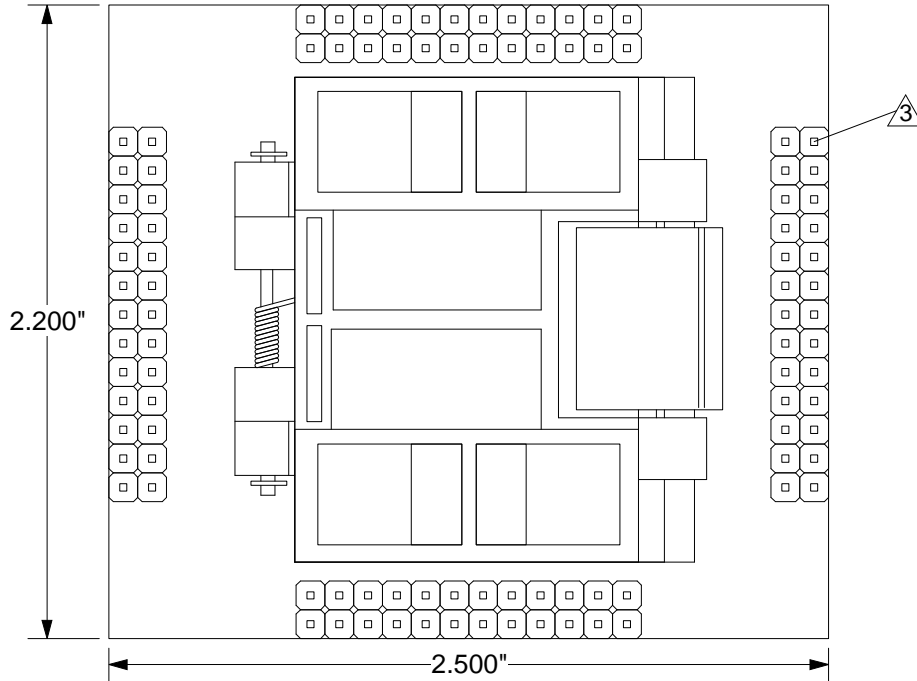
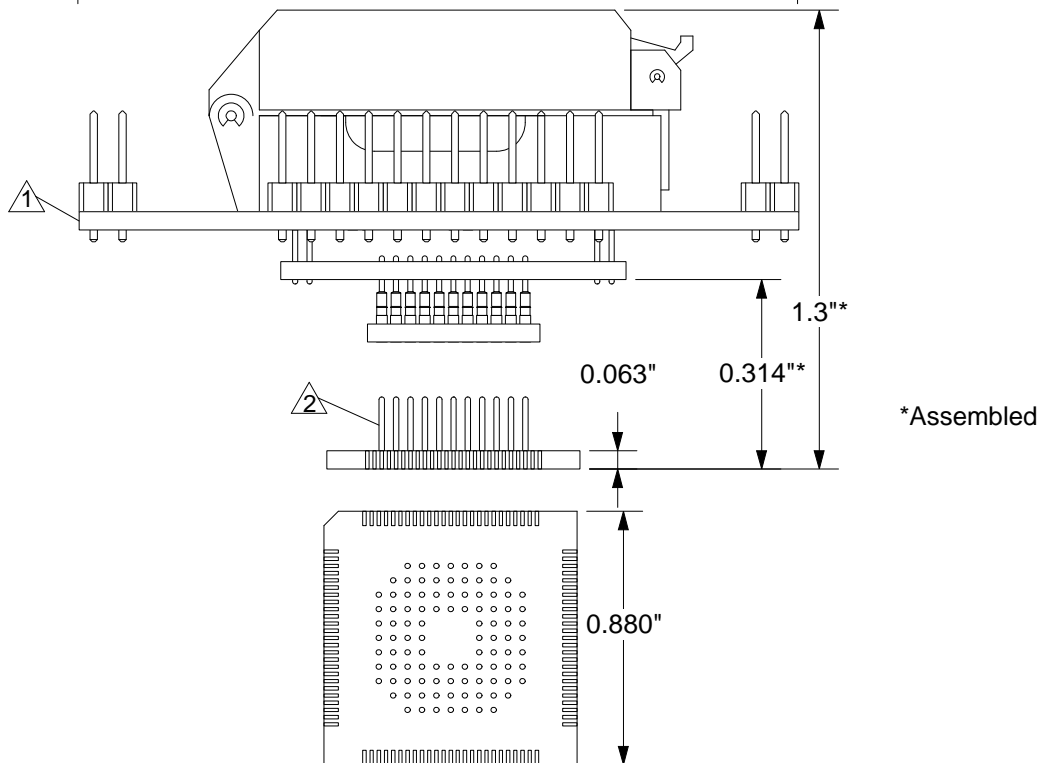


1	Material: 0.0625" ± 0.007" Fr4/G10
2	Pins: shell material- Brass; finish- 10µ" Gold over 50µ" Nickel (min.).
3	Test Points: 0.25" sq. post. Gold flash on contact area, 150µ" Tin on tail.

Top view




Side view



**Description: Carrier Adaptor**

100 position (0.25" pitch) QFP Zero Insertion Force socket with test points to 100 position surface mountable QFP emulator foot. The 2 piece adaptor interconnects via gold plated (0.05" center) Mini-grid socket interface.

All tolerances are ±0.005" unless otherwise specified. Materials and specifications are subject to change without notice.

 <p>© 1997 IRONWOOD ELECTRONICS, INC. PO BOX 21151 ST. PAUL, MN 55121 Tele: (651) 452-8100</p>	<b>CA-QFJ100SA-L-Z-T-01 DRAWING</b>		Status: Released	Scale: 3:2	Rev: B
			Drawing: C. Hautman	Date: 10/21/94	
			File: CA-QFJ100SA-L-Z-T-01 Dwg; V1	ECO#	