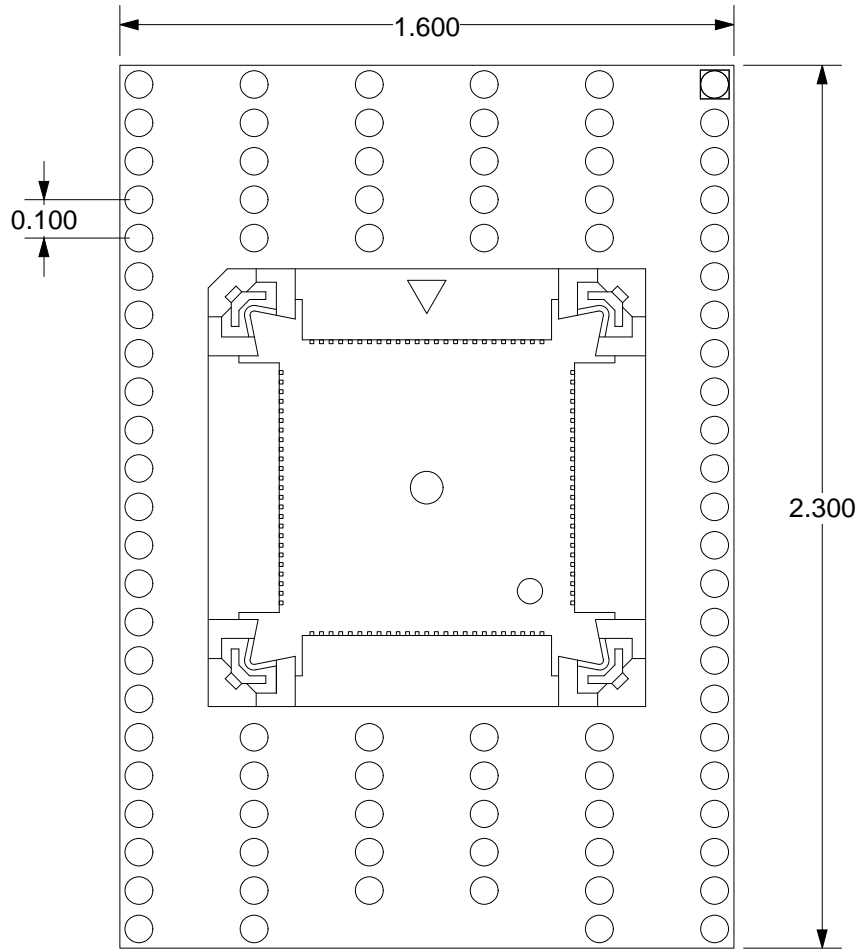
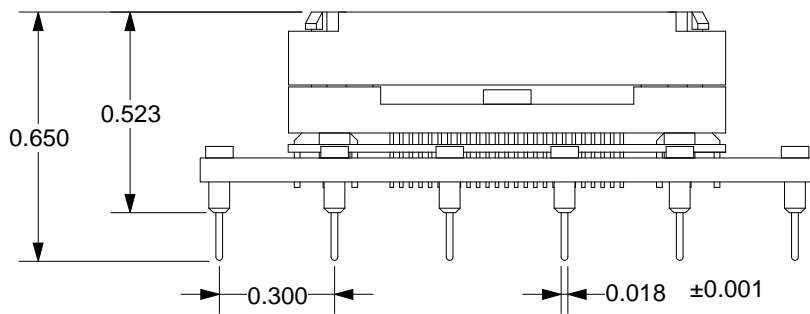



Top View



Side View



Substrate: FR4/G10, 0.0625"±0.007" thick.  
 Pins: Material - Brass Alloy 360, 1/2H ; finish - 10µ" Gold over 100/150µ" Nickel.

|  |                                     |                   |                     |
|--|-------------------------------------|-------------------|---------------------|
| <p><b>PA-QFJ100SA-A-A-01 DRAWING</b></p>   | <p>Status: Released</p>             | <p>Scale: 2:1</p> | <p>Rev: B</p>       |
|  <p>© 1994 IRONWOOD ELECTRONICS, INC.<br/>                 PO BOX 21151 ST. PAUL, MN 55121<br/>                 Tele: (651) 452-8100<br/>                 www.ironwoodelectronics.com</p> | <p>Drawing: M. Tully</p>            |                   | <p>Date: 4/6/94</p> |
|  | <p>File: PA-QFJ100SA-A-A-01 Dwg</p> | <p>Modified:</p>  |                     |