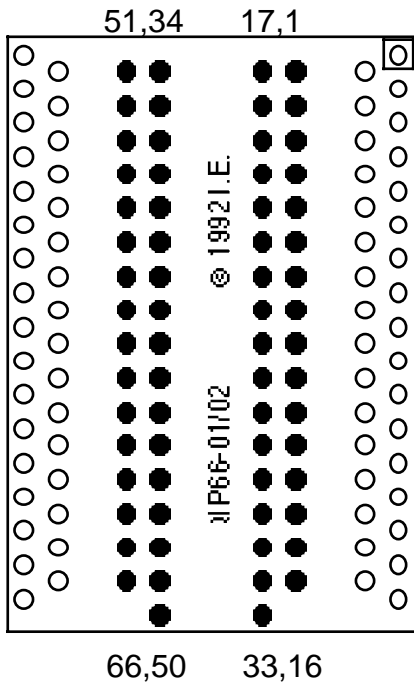




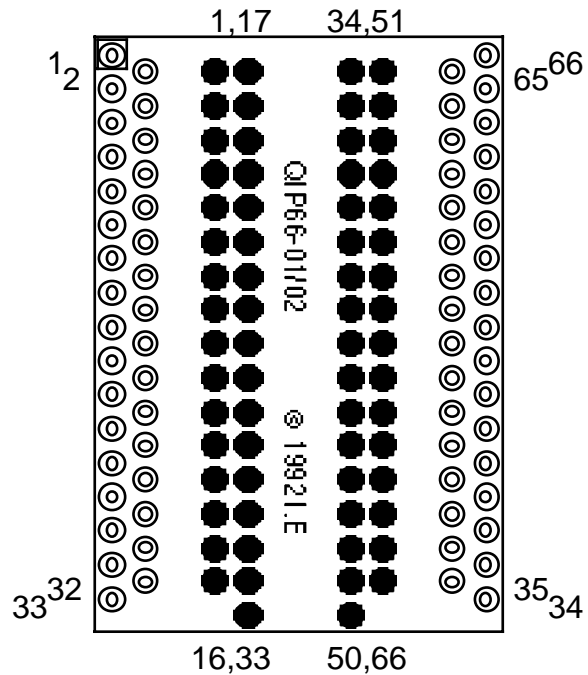
Ironwood Electronics, Inc.

PO Box 21151 • St Paul, MN 55121 • (651) 452-8100 • Fax (651) 452-8400

PA-QIP66-02 Map Rev A, 9/15/92



Bottom View- Base



Top View- QFP

QIP	Base
1	17
2	1
3	18
4	2
5	19
6	3
7	20
8	4
9	21
10	5
11	22
12	6
13	23
14	7
15	24
16	8
17	25

QIP	Base
18	9
19	26
20	10
21	27
22	12
23	28
24	13
25	29
26	14
27	30
28	15
29	31
30	16
31	32
32	17
33	33
34	50

QIP	Base
35	66
36	49
37	65
38	48
39	64
40	47
41	63
42	46
43	62
44	45
45	61
46	44
47	60
48	43
49	59
50	42
51	58

QIP	Base
52	41
53	57
54	40
55	56
56	39
57	55
58	38
59	54
60	37
61	53
62	36
63	52
64	35
65	51
66	34

NOTE: QIP sockets are sequentially mapped to base pins.