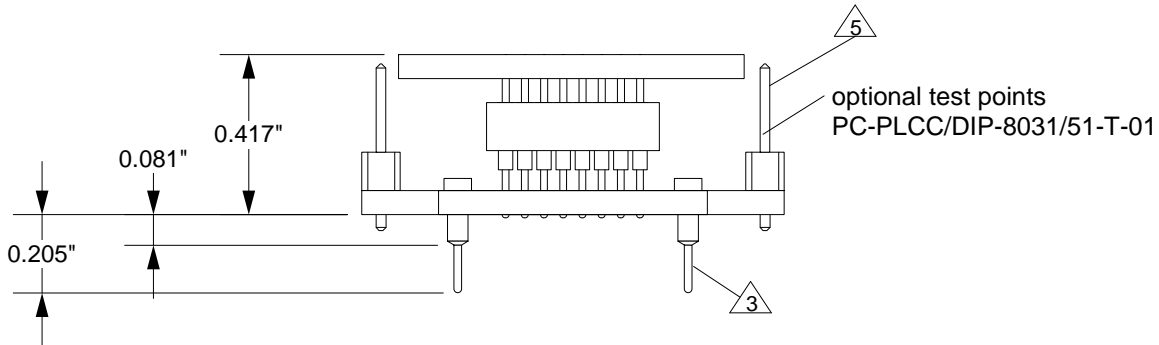
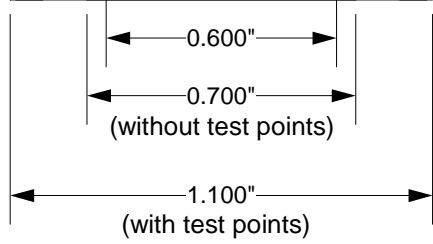


Top View


Side View



- △ 3 Pins: shell material- Brass Alloy 360 1/2 hard; finish- 10µ" Au over 50µ" Ni (min.). Contact material- BeCu; finish 10µ" Au over 100µ" Ni
- △ 5 Test points: material- Phosphor Bronze; plating- Sn over 50µ" Ni. Gold flash on contact end.

Description: Package convertor:
 Device specific convertor, 44 position PLCC land pattern to 0.6" wide 40 position Dip male terminal pins.

All tolerances: ±0.005" (unless stated otherwise). Materials and specifications are subject to change without notice.

	PC-PLCC/DIP-8031/51(-T)-01 Drawing	Status: Released	Scale 2:1	Rev: B	
	© 1994 IRONWOOD ELECTRONICS, INC. PO BOX 21151 ST. PAUL, MN 55121 Tele: (651) 452-8100 www.ironwoodelectronics.com	Drawing: C Hautman	Date: 12/14/94		
		File: PC-PLCC/DIP-8031/51-T-01 Dwg	Modified: 1/5/00		