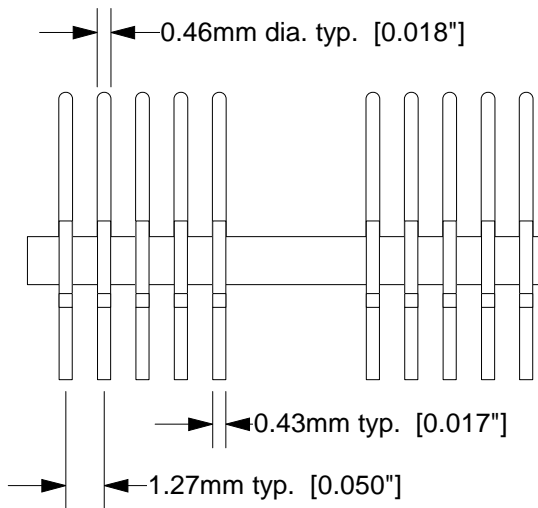
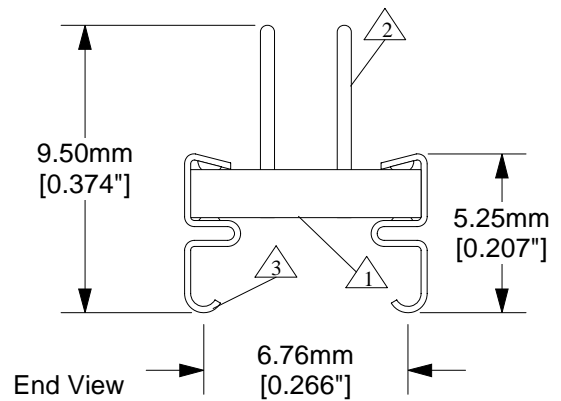


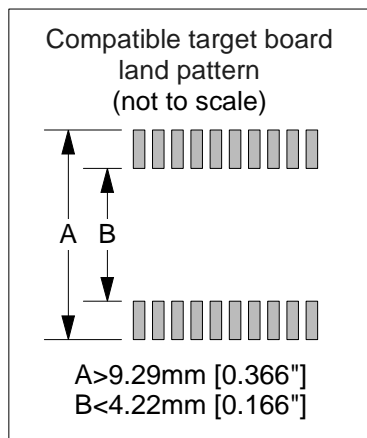
Top View



Side View



End View



- ① Substrate: 1.59mm  $\pm$ 0.18mm [0.0625"  $\pm$ 0.007"]  
FR4/G10 or equivalent high temp material. 17 $\mu$ m [1/2 oz.] Cu clad. SnPb plating.
- ② Pins: material- Brass Alloy 360 1/2 hard; finish- 0.25 $\mu$ m [10 $\mu$ ] Au over 1.27 $\mu$ m [50 $\mu$ ] Ni (min.).
- ③ Leads: material- BeCu Alloy 194; plating- 60/40 SnPb 3.80-10.16 $\mu$ m [150-400 $\mu$ ].

**Description: SO Surface Mount Emulator Foot**

20 position J-leaded surface mountable emulator foot, with mini grid array (MGA) pin interface.

Tolerances: diameters  $\pm$ 0.03mm [ $\pm$ 0.001"], PCB perimeters  $\pm$ 0.13mm [ $\pm$ 0.005"], PCB thicknesses  $\pm$ 0.18mm [ $\pm$ 0.007"], pitches (from true position)  $\pm$ 0.08mm [ $\pm$ 0.003"], all other tolerances  $\pm$ 0.13mm [ $\pm$ 0.005"] unless stated otherwise.

	<b>SF-SOJ20B-J-01 Drawing</b>	Status: Released	Scale: 4:1	Rev: C
	© 1994 IRONWOOD ELECTRONICS, INC. PO BOX 21151 ST. PAUL, MN 55121 Tele: (651) 452-8100 www.ironwoodelectronics.com	Drawing: P. Jasmin		Date: 2/13/94
		File: SF-SOJ20B-J-01 Dwg		Modified: 5/5/00