

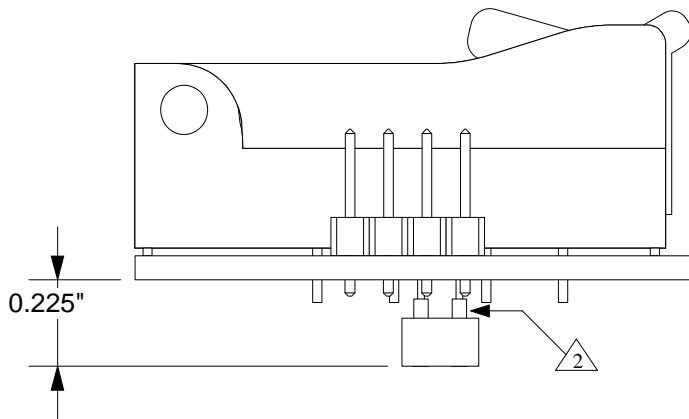
- △1 Substrate: 0.0625"±0.007" FR4/G10 or equivalent high temp material. 1/2 oz. Cu clad. SnPb plating

---

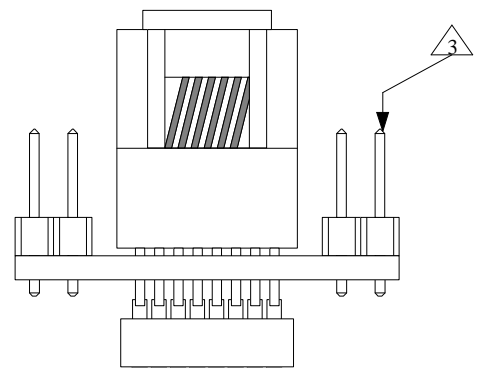
- △2 Pins: shell material- Brass Alloy 360 1/2 hard; finish- 10µ" Au over 50µ" Nil (min.). Contact material- BeCu; finish 10µ" Au over 100µ" Ni (min.)

---

- △3 Test points: material- Phosphor Bronze; plating- Sn over 50µ" Ni. Gold flash on contact end.




Side View



End View

Description: CARRIER ADAPTOR  
 16 position ZIF Socket to 16 position Mini Grid Socket Pin mapping is 1:1

All tolerances: ±0.005" (unless stated otherwise). Materials and specifications are subject to change without notice.

	<b>CA-S016A-Z-M-T-01 Drawing</b>	Status: Released	Scale: 2:1	Rev: A
	© 1998 IRONWOOD ELECTRONICS, INC. PO BOX 21151 ST. PAUL, MN 55121 Tele: (651) 452-8100	Drawing by: E Swanson		Date: 6/29/98
		File: CA-SO16A-Z-M-T-01 Dwg	Modified:	