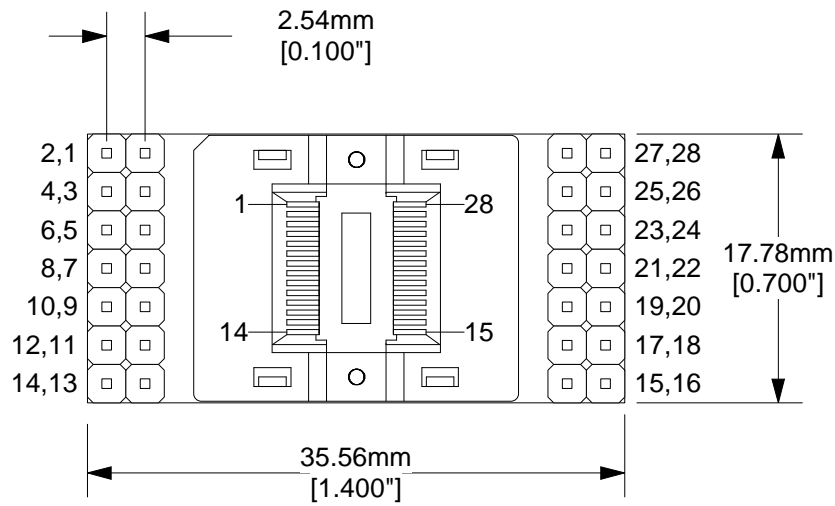
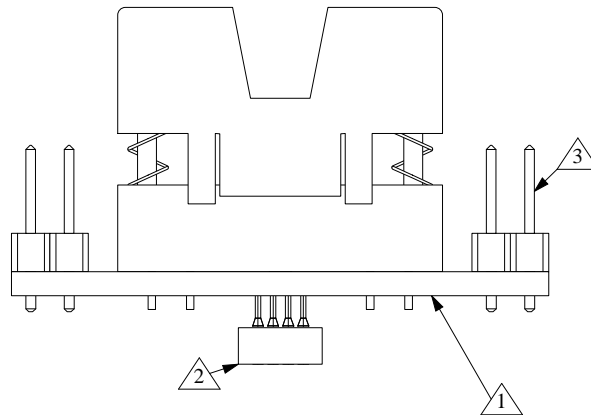


Top View



Side View




- ① Substrate: 0.0625"±0.007" FR4/G10 or equivalent high temp material. 1/2 oz. Cu clad. SnPb plating
- ② Pins: shell material- Brass Alloy 360 1/2 hard; finish- 10µ" Au over 50µ" Ni (min.). Contact material- BeCu; finish 10µ" Au over 100µ" Ni (min.)
- ③ Test points: material- Phosphor Bronze; plating- Sn over 50µ" Ni. Gold flash on contact end.

**Description:** Carrier Adaptor, SOIC

28 position ZIF socket with test points to 28 position gold plated high density female pluggable interface. Compatible with SF-SO28U-F-01 surface mount foot (bottom termination).

**Tolerances:** diameters ±0.03mm [±0.001"], PCB perimeters ±0.13mm [±0.005"], PCB thicknesses ±0.18mm [±0.007"], pitches (from true position) ±0.08mm [±0.003"], all other tolerances ±0.13mm [±0.005"] unless stated otherwise. Materials and specifications are subject to change without notice.

<b>CA-SO28U-Z-M-T-01 Drawing</b>		Status: Released	Scale 2:1	Rev: A
	© 2000 IRONWOOD ELECTRONICS, INC. PO BOX 21151 ST. PAUL, MN 55121 Tele: (651) 452-8100 www.ironwoodelectronics.com		Drawing: P Jasmin Date: 10/26/0	
			File: CA-SO28U-Z-M-T-01Dwg Modified: 1/12/98	