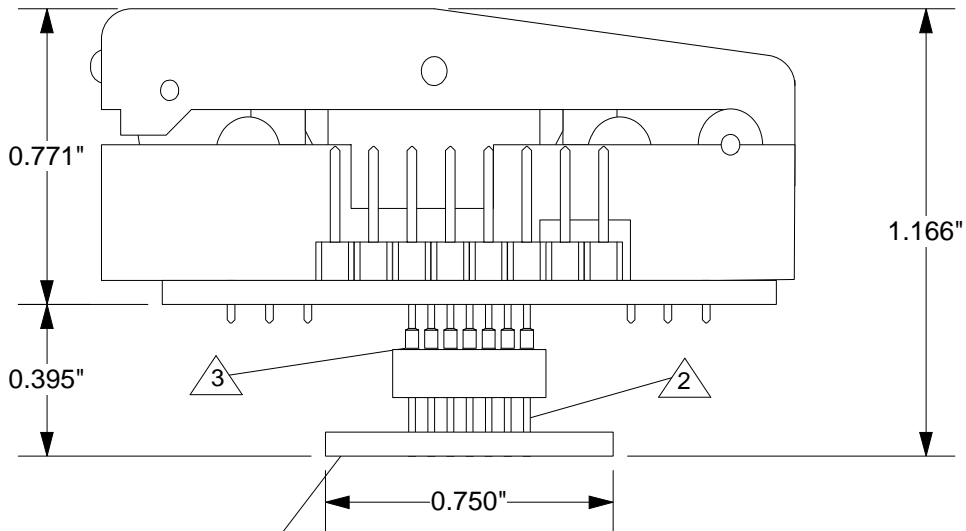


Top View




Side View

Previous part number:
C1190

- △ 1 Substrate: 0.0625"±0.007" FR4/G10 or equivalent high temp material.
- △ 2 Pins: shell material- Brass; finish- 10μ" gold over 50μ" nickel (min.).
- △ 3 Pins: shell material- Brass; shell finish- 10μ" Gold over 50μ" Nickel (min.). Contact material- Beryllium copper; contact finish 10μ" Gold over 100μ" Nickel (min.)

Description: CARRIER ADAPTOR
32 position TSOP I ZIF socket to surface mountable TSOP emulator foot with a lead pitch of .5 mm and a tip to tip of .750 " nom.

All tolerances: ±0.005" (unless stated otherwise). Materials and specifications are subject to change without notice.

CA-SO32E-Z-L-T-01 Drawing		Status: Released	Scale: 2:1	Rev: C
	© 1995 IRONWOOD ELECTRONICS, INC. PO BOX 21151 ST. PAUL, MN 55121 Tele: (651) 452-8100		Drawing: M Lund	Date: 6/14/95
				File: CA-SO32E-Z-T-01