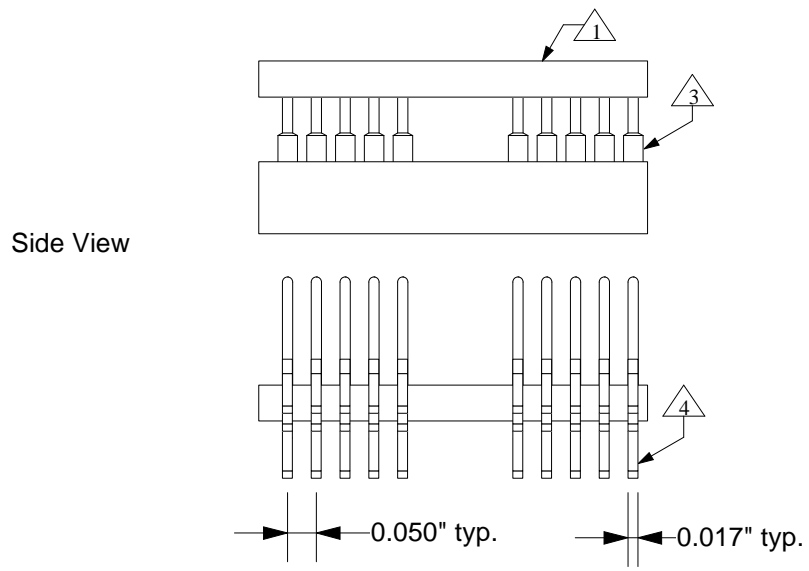
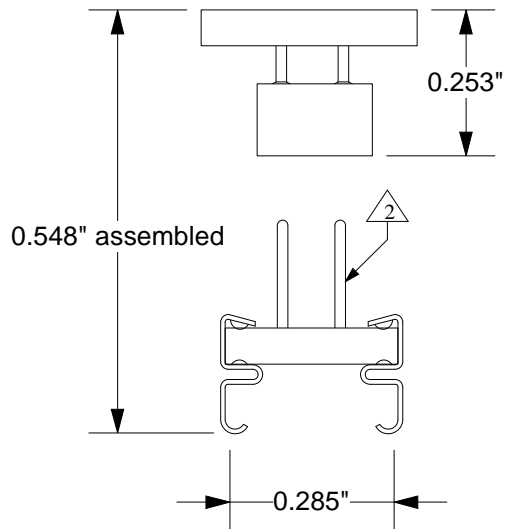


Top View




Side View

- △1 Substrate: 0.0625"±0.007" FR4/G10 or equivalent high temp material. 1/2 oz. Cu clad. SnPb plating
- △2 Pins: Material- Brass Alloy 360 1/2 hard; finish- 10μ" Au over 50μ" Ni (min.).
- △3 Pins: shell material- Brass Alloy 360 1/2 hard; finish- 10μ" Au over 50μ" Ni (min.). Contact material- BeCu; finish 10μ" Au over 100μ" Ni (min.)
- △4 Leads: material- BeCu Alloy 194; plating- 60/40 SnPb (150-400μ")



Description: CARRIER ADAPTOR:
20 position land pattern to 20 position J-leaded surface mountable foot.

All tolerances: ±0.005" (unless stated otherwise). Materials and specifications are subject to change without notice.

	CA-SOJ20A-S-J-02 Drawing		Status: Released	Scale: 3:1	Rev: B
	© 1994 IRONWOOD ELECTRONICS, INC. PO BOX 21151 ST. PAUL, MN 55121 Tele: (651) 452-8100 www.ironwoodelectronics.com		Drawing by: P. Jasmin		Date: 2/8/94
			File: CA-SOJ20A-S-J-02		Modified 4/3/98