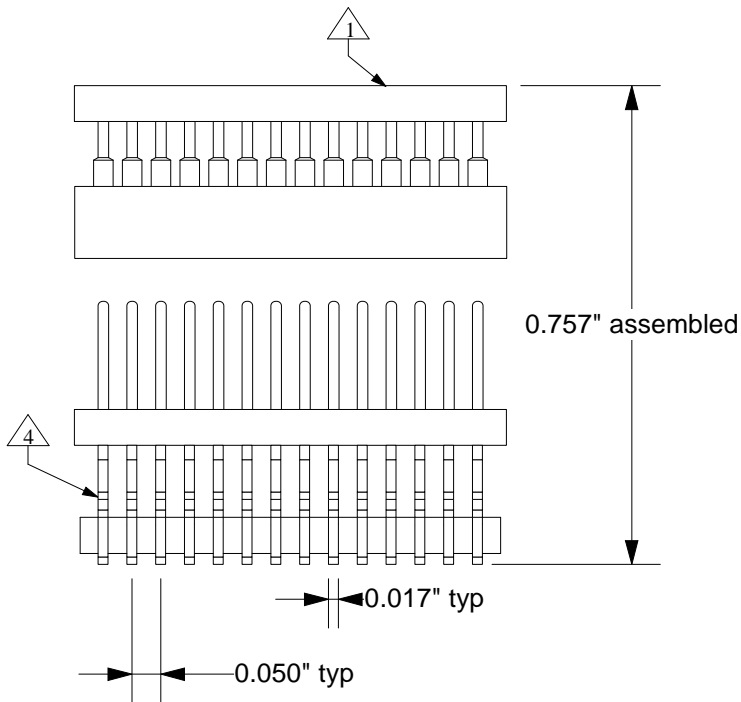
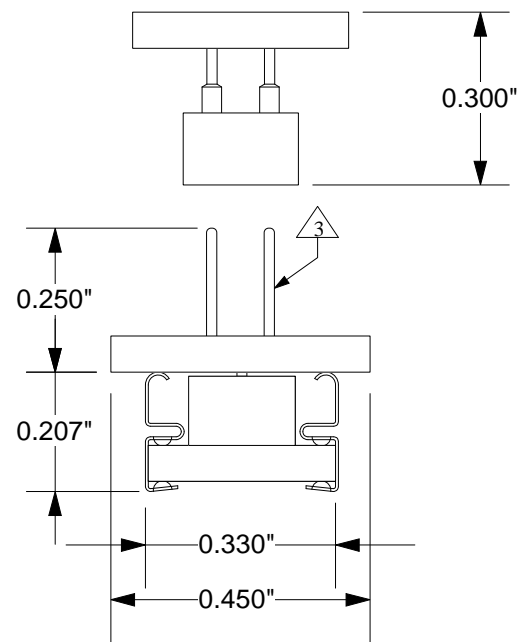


- △1 Substrate: 0.0625"±0.007" FR4/G10 or equivalent high temp material. 1/2 oz. Cu clad. SnPb plating
- △3 Pins: shell material- Brass Alloy 360 1/2 hard; finish- 10µ" Au over 50µ" Nil (min.). Contact material- BeCu; finish 10µ" Au over 100µ" Ni (min.)
- △4 Leads: material- BeCu Alloy 194; plating- 60/40 SnPb (150-400µ")

Top View



Side View




End View

Description: CARRIER ADAPTOR:

A two piece pluggable device converting from a 28 position land pattern to 28 position SOIC plug. Corresponds to Ironwood SOJ28A Spec.

All tolerances: ±0.005" (unless stated otherwise). Materials and specifications are subject to change without notice.

	<b>CA-SOJ28A-S-P-01 Drawing</b>	Status: Released	Scale: 3:1	Rev: C
	© 1994 IRONWOOD ELECTRONICS, INC. PO BOX 21151 ST. PAUL, MN 55121 Tele: (651) 452-8100 www.ironwoodelectronics.com	Drawing by: M Lund	Date: 12/29/94	
		File: CA-SOJ28A-S-P-01 Dwg	Modified: 5/5/98	