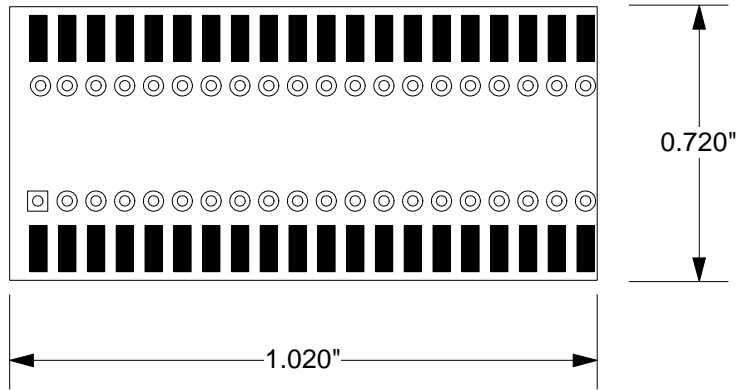
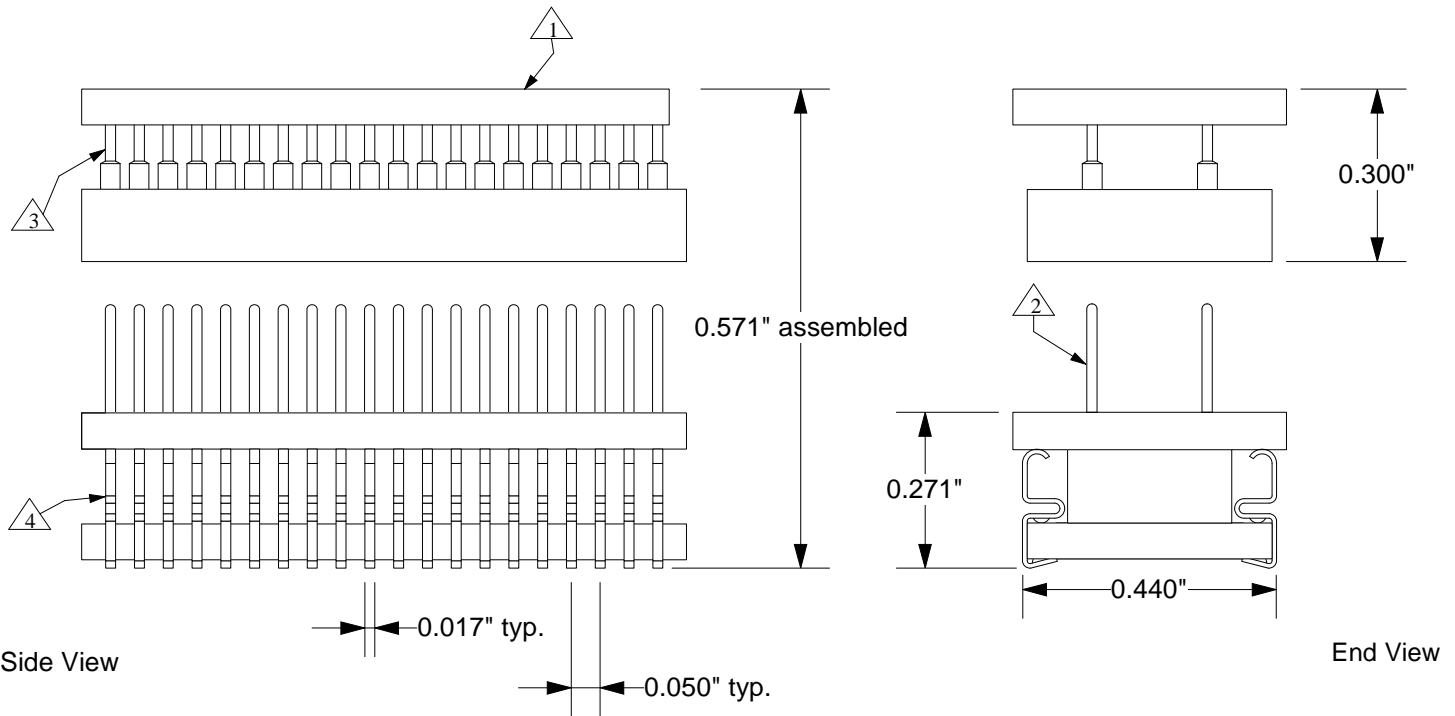


- △1 Substrate: 0.0625"±0.007" FR4/G10 or equivalent high temp material. 1/2 oz. Cu clad. SnPb plating
- △2 Pins: Material- Brass Alloy 360 1/2 hard; finish- 10μ" Au over 50μ" Ni (min.).
- △3 Pins: shell material- Brass Alloy 360 1/2 hard; finish- 10μ" Au over 50μ" Ni (min.). Contact material- BeCu; finish 10μ" Au over 100μ" Ni (min.)
- △4 Leads: material- BeCu Alloy 194; plating- 60/40 SnPb (150-400μ")



Top View




Side View

End View

Description: CARRIER ADAPTOR:

A two piece surface mountable device converting from a 40 position land pattern to a 40 position plug. Corresponds to Ironwood SOJ40A Spec.

All tolerances: ±0.005" (unless stated otherwise). Materials and specifications are subject to change without notice.

	CA-SOJ40A-S-P-01 Dwg	Status: Released	Scale: 1:1	Rev: A
	© 1997 IRONWOOD ELECTRONICS, INC. PO BOX 21151 ST. PAUL, MN 55121 Tele: (651) 452-8100	Drawing: EVS		Date: 7/8/97
		File: CA-SOJ40A-S-P-01	Modified: 3/16/98	