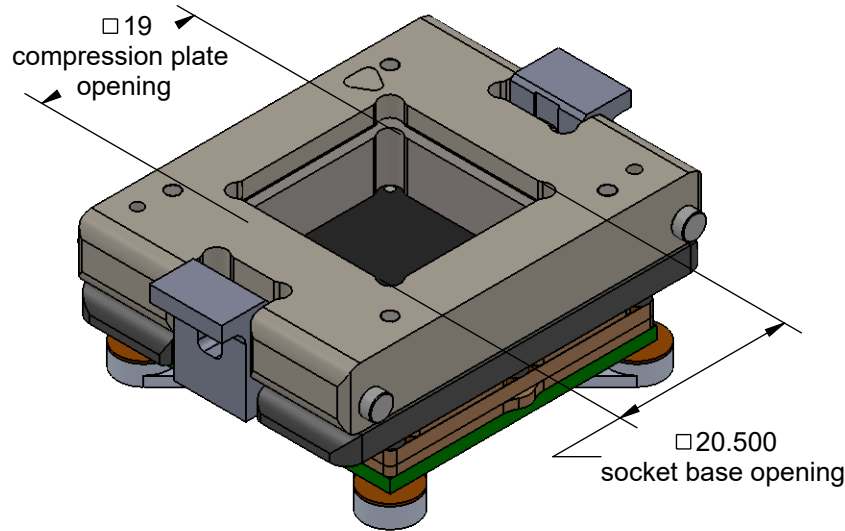


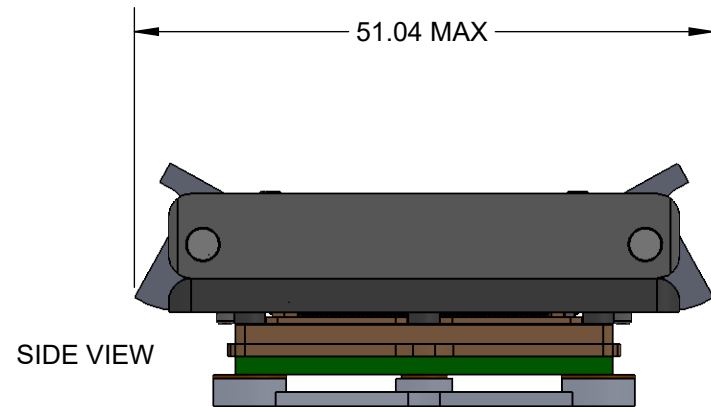
OPEN TOP DUAL LATCH CBT-QFE DIRECT MOUNT, SOLDERLESS SOCKET FOR BURN-IN AND TEST APPLICATIONS

FEATURES:

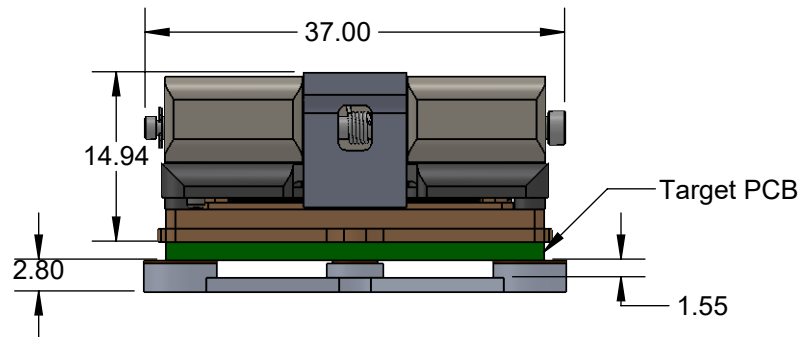
- Wide temperature range (-55C to +180C)
- High current capability (up to 4A)
- Excellent signal integrity at high frequencies
- Low and stable contact resistance for reliable production yield
- Highly compliant to accommodate wide co-planarity variations
- Automated probe manufacturing enables low cost and short lead time



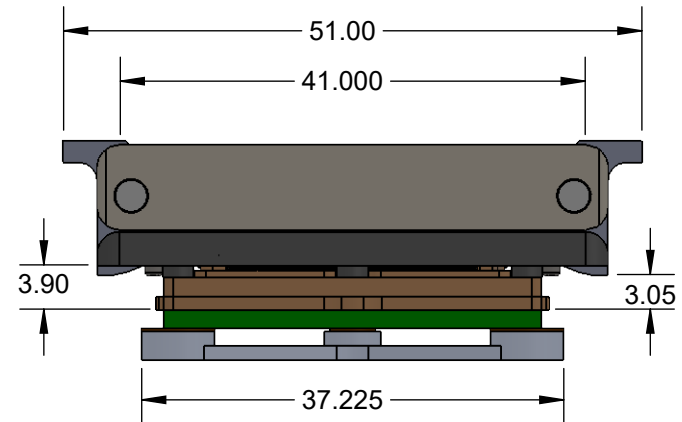
ISO VIEW



LATCH - OPEN POSITION




FRONT VIEW

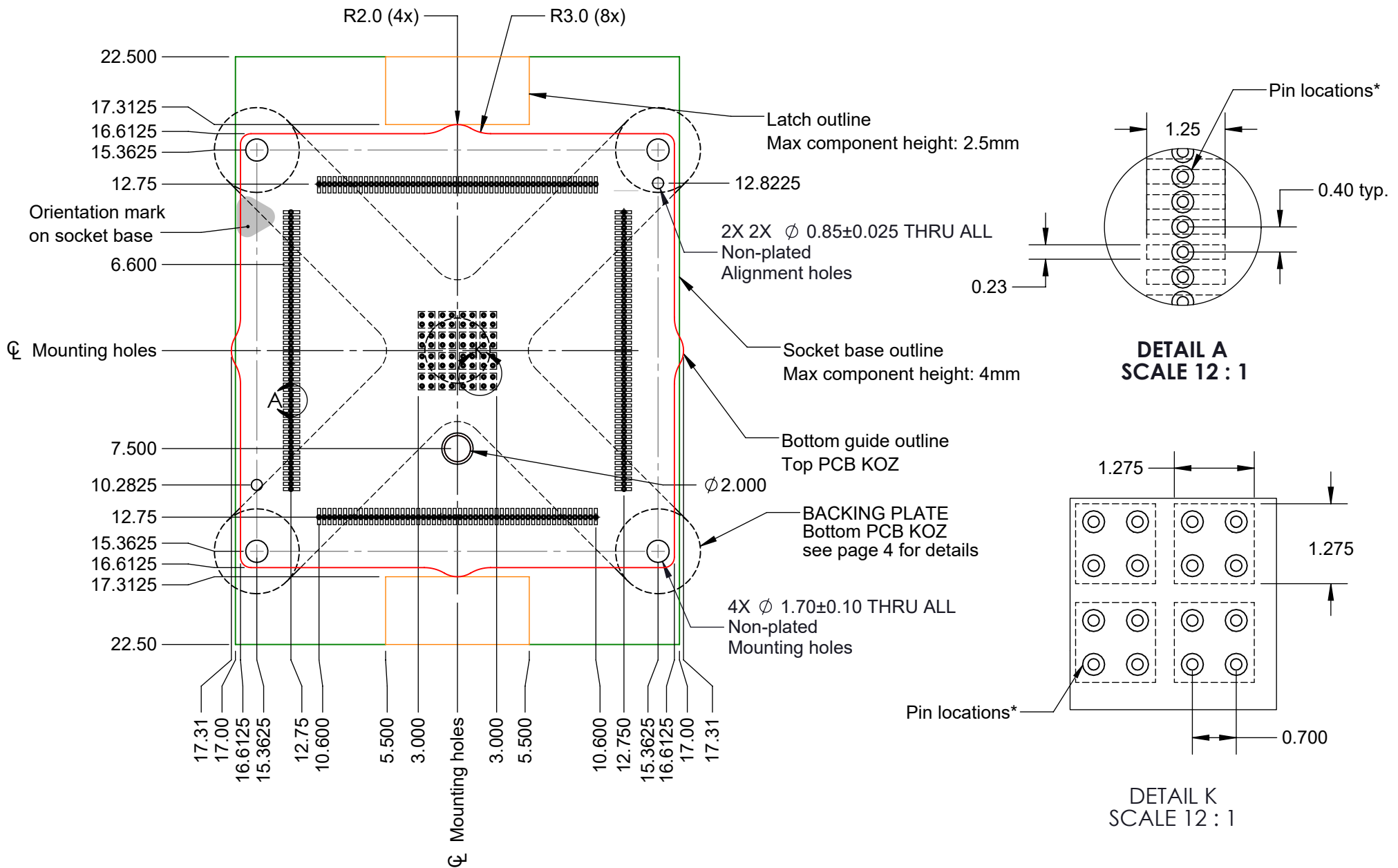


Description: Open Top CBT socket for 0.4mm pitch 24mm sq 26mm tip-tip 216 pin QFP package

Primary dimension units are millimeters, Secondary dimension units are [inches], Weight is in grams.

Tolerances: Hole diameters $\pm 0.03\text{mm}$ [± 0.001 "], Pitches (from true position) $\pm 0.025\text{mm}$ [± 0.001 "], substrate thickness tolerance $\pm 10\%$, all other tolerances $\pm 0.13\text{mm}$ [± 0.005 "] unless stated otherwise. Materials and specifications are subject to change without notice.

 CBT-QFE-3014 Drawing Ironwood Electronics, Inc. Tele: (800) 404-0204 www.ironwoodelectronics.com	Material: N/A Finish: N/A Weight: 36.58	STATUS: Released ENG: S. Huang FILE: CBT-QFE-3014 Dwg	SHEET: 1 OF 5 DRAWN BY: M. Raske DATE: 06/27/2018	REV. A SCALE: 1.5:1



Description: Recommended PCB Layout


Primary dimension units are millimeters, Secondary dimension units are [inches], Weight is in grams.

Tolerances: Hole diameters $\pm 0.0254\text{mm}$ [$\pm 0.001"$], Pitches (from true position) $\pm 0.0762\text{mm}$ [$\pm 0.003"$], substrate thickness tolerance $\pm 10\%$, all other tolerances $\pm 0.127\text{mm}$ [$\pm 0.005"$] unless stated otherwise. Materials and specifications are subject to change without notice.

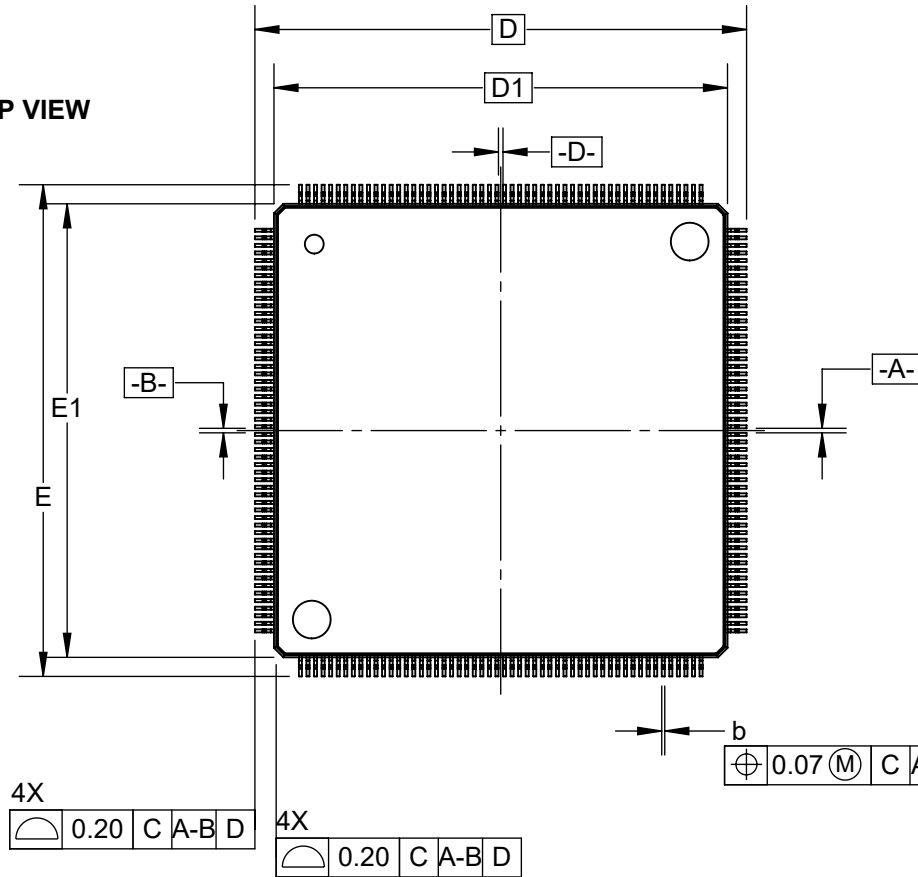
Target PCB Design Recommendations:

Total thickness: 1.6mm - 3mm

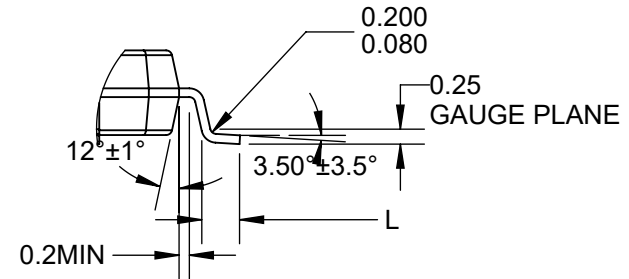
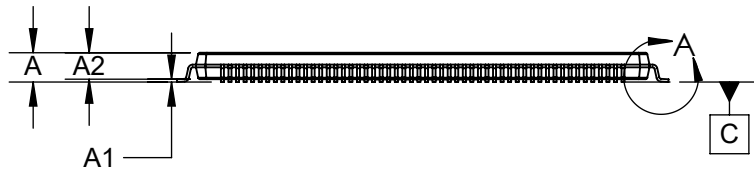
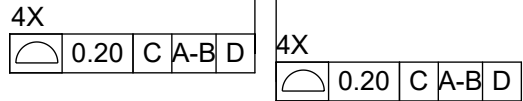
Plating: SnPb plating or Immersion Au or Immersion Ag.

 CBT-QFE-3014 Drawing Ironwood Electronics, Inc. Tele: (800) 404-0204 www.ironwoodelectronics.com	Material: N/A Finish: N/A Weight: 36.58	STATUS: Released ENG: S. Huang FILE: CBT-QFE-3014 Dwg	SHEET: 2 OF 5 DRAWN BY: M. Raske DATE: 06/27/2018	REV. A SCALE: 2.5:1

TOP VIEW



	MIN	NOM	MAX
A			1.60
A1	0.05		0.15
A2	1.35	1.4	1.45
b	0.13	0.16	0.23
c	0.09		0.20
D		26.00	
D1		24.00	
e		0.40	
E		26.00	
E1		24.00	
L	0.45	0.60	0.75




DETAIL A
SCALE 8 : 1

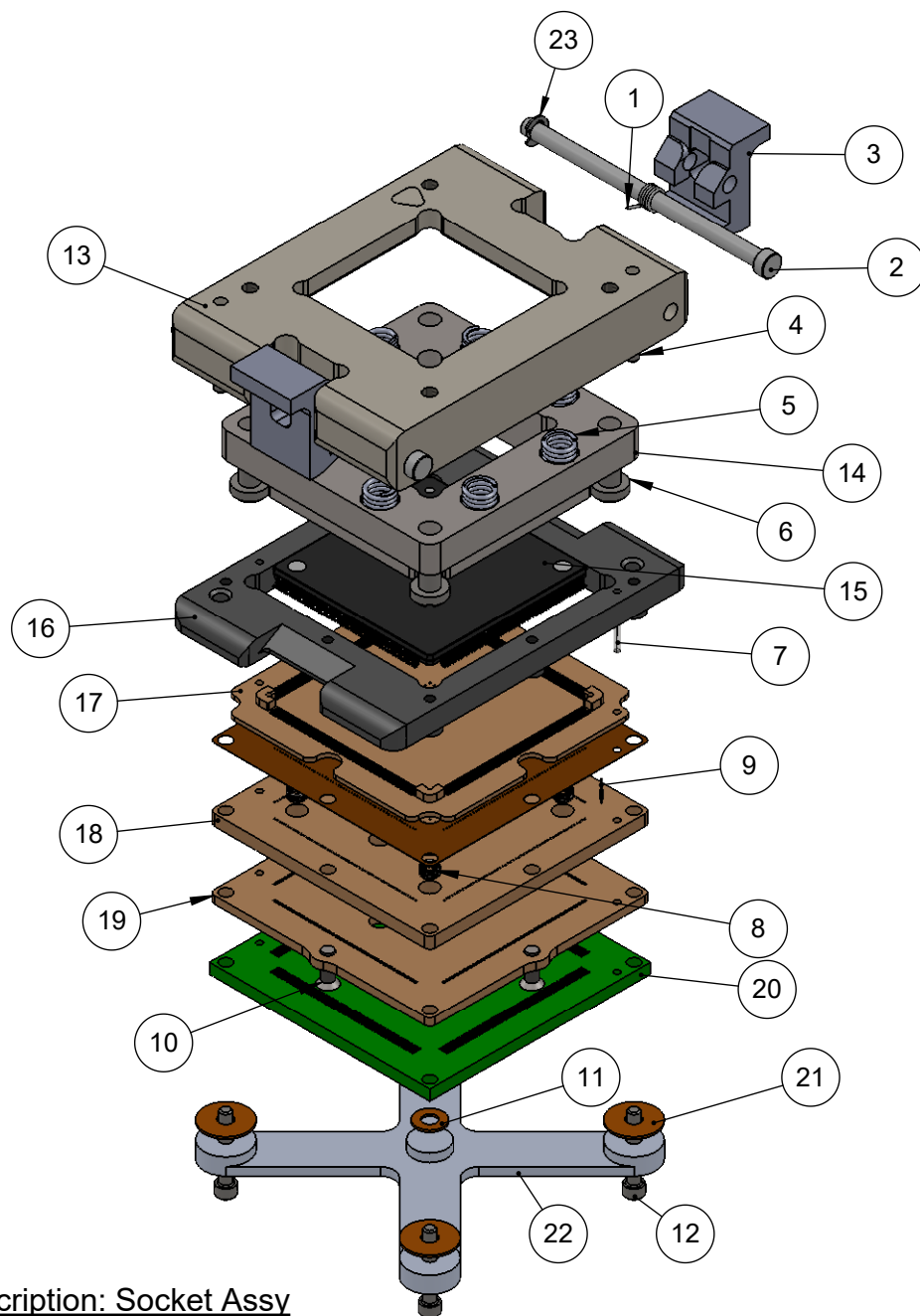
1. Dimensions are in millimeters.
2. Interpret dimensions and tolerances per ASME Y14.5M-1994.
5. Parallelism measurement shall exclude any effect of mark on top surface of package.

Description: Compatible Device

Primary dimension units are millimeters, Secondary dimension units are [inches], Weight is in grams.

Tolerances: Hole diameters $\pm 0.03\text{mm}$ [$\pm 0.001''$], Pitches (from true position) $\pm 0.025\text{mm}$ [$\pm 0.001''$], substrate thickness tolerance $\pm 10\%$, all other tolerances $\pm 0.13\text{mm}$ [$\pm 0.005''$] unless stated otherwise. Materials and specifications are subject to change without notice.

 <p>CBT-QFE-3014 Drawing Ironwood Electronics, Inc. Tele: (800) 404-0204 www.ironwoodelectronics.com</p>	<p>Material: N/A Finish: N/A Weight: 36.58</p>	STATUS: Released	SHEET: 3 OF 5	REV. A
		ENG: S. Huang	DRAWN BY: M. Raske	SCALE: 2.5:1
		FILE: CBT-QFE-3014 Dwg	DATE: 06/27/2018	




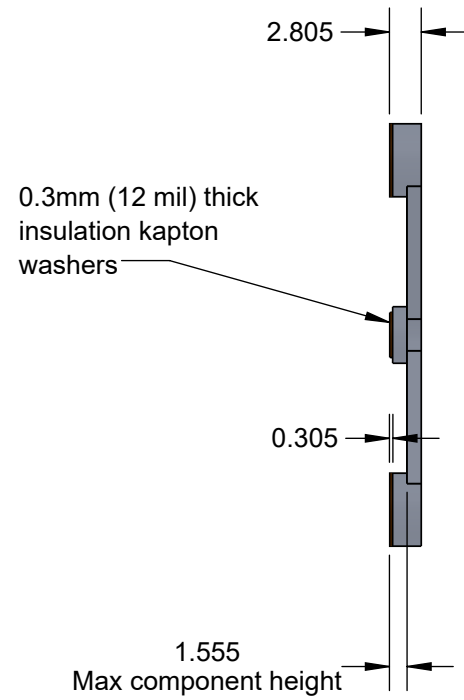
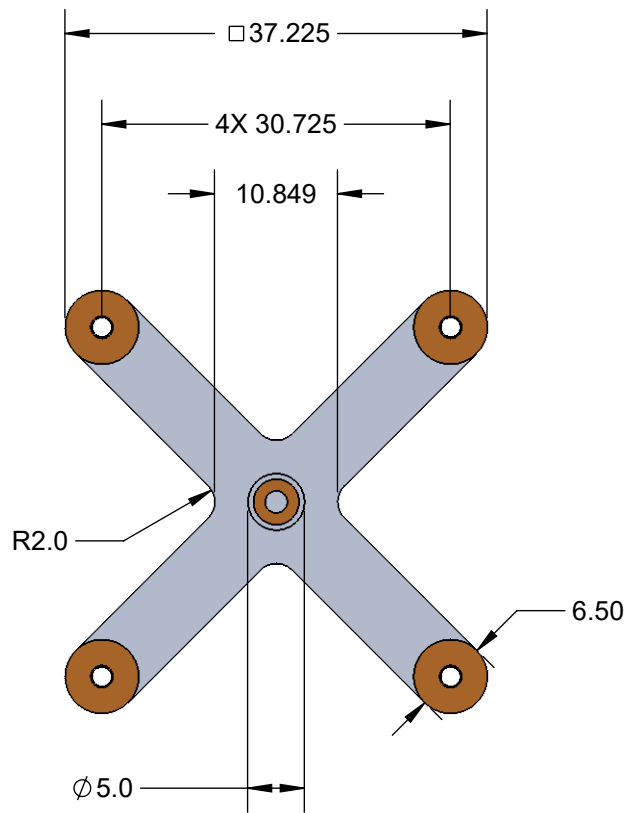
ITEM NO.	DESCRIPTION	Material
1	Coil spring	Steel
2	Hinge pin and snap ring	Steel
3	Latch	Aluminum
4	Lid alignment pins	Steel
5	Compression spring	Steel
6	Lid screws	Steel
7	Alignment pin	Steel
8	Floating guide spring	Steel
9	Spring pin	Au over Ni plated
10	Pin guide screw	High temp plastic
11	Insulating washer	High temp plastic
12	Mounting screw	Steel
13	Lid, double latch socket	7075-T6 Alumium Alloy
14	Compression plate QFP216 0.4mm	PEEK
15	26mm tip to tip 24mm body to body 0.4mm pitch QFE216	
16	CBT socket base double latch 28mm IC	7075-T6 Alumium Alloy
17	Floating pin guide QFP216 0.4mm pitch	Semitron MDS 100
18	Middle pin guide QFP216 0.4mm pitch with e-pad	Semitron MDS 100
19	Bottom pin guide QFP216 0.4mm pitch with e-pad	Semitron MDS 100
20	Test PCB QFP216 0.4mm pitch with center e-pad	Material <not specified>
21	Insulating washer, 6.5mm OD.	Kapton Polyimide/Cirlex
22	5 POST BACKING PLATE	7075-T6 Aluminum Alloy
23	Snap ring for 2mm Hinge pin 0.15" OD	
24	Pin orientation guide QFP216 0.4mm pitch with e-pad	Kapton Polyimide/Cirlex

Description: Socket Assy

Primary dimension units are millimeters, Secondary dimension units are [inches], Weight is in grams.

Tolerances: Hole diameters $\pm 0.03\text{mm}$ [$\pm 0.001"$], Pitches (from true position) $\pm 0.025\text{mm}$ [$\pm 0.001"$], substrate thickness tolerance $\pm 10\%$, all other tolerances $\pm 0.13\text{mm}$ [$\pm 0.005"$] unless stated otherwise. Materials and specifications are subject to change without notice.


 CBT-QFE-3014 Drawing Ironwood Electronics, Inc. Tele: (800) 404-0204 www.ironwoodelectronics.com	Material: N/A Finish: N/A Weight: 36.58	STATUS: Released ENG: S. Huang FILE: CBT-QFE-3014 Dwg	SHEET: 4 OF 5 DRAWN BY: M. Raske DATE: 06/27/2018	REV. A SCALE: 1.25:1



Description: Backing plate

Primary dimension units are millimeters, Secondary dimension units are [inches], Weight is in grams.

Tolerances: Hole diameters $\pm 0.03\text{mm}$ [$\pm 0.001"$], Pitches (from true position) $\pm 0.025\text{mm}$ [$\pm 0.001"$], substrate thickness tolerance $\pm 10\%$, all other tolerances $\pm 0.13\text{mm}$ [$\pm 0.005"$] unless stated otherwise. Materials and specifications are subject to change without notice.

 CBT-QFE-3014 Drawing Ironwood Electronics, Inc. Tele: (800) 404-0204 www.ironwoodelectronics.com	Material: N/A Finish: N/A Weight: 36.58	STATUS: Released	SHEET: 5 OF 5	REV. A
		ENG: S. Huang	DRAWN BY: M. Raske	SCALE: 2:1
		FILE: CBT-QFE-3014 Dwg	DATE: 06/27/2018	