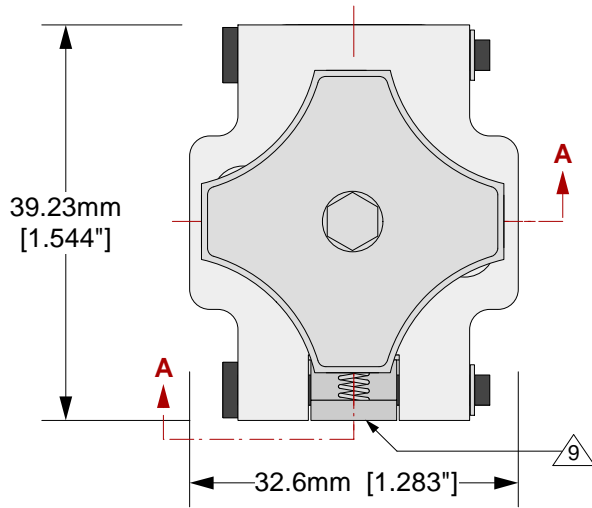
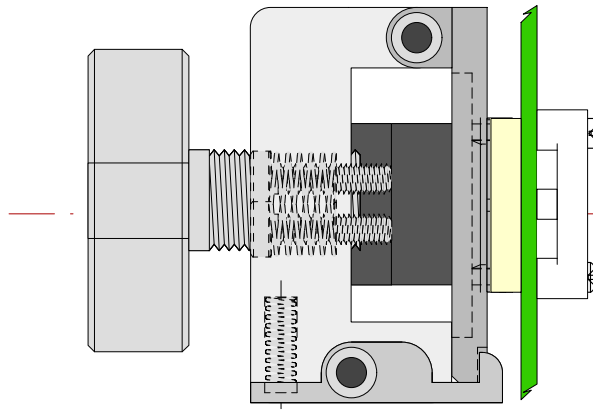
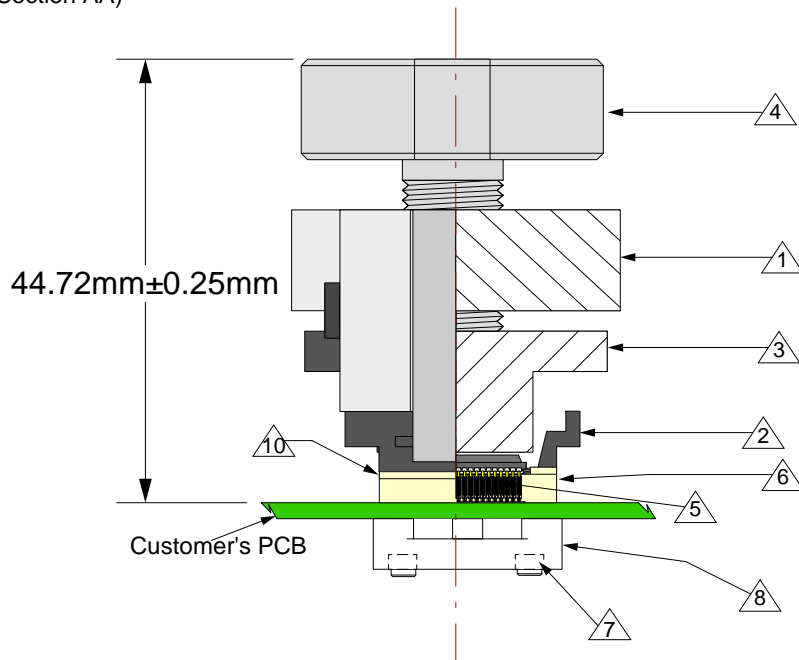


Top View



Side View  
(Section AA)



**Features**

- Directly mounts to target PCB (needs tooling holes) with hardware
- Minimum real estate required
- Compression plate distributes evenly
- Clamshell lid

**Materials:**

- 1 Clam Shell Lid: Black anodized 7075 Aluminum. Height = 20 mm.
- 2 Socket Base: Black anodized 7075 Aluminum. Height = 6 mm.
- 3 Compression Plate: Black anodized 7075 Aluminum. Thickness = 12 mm.
- 4 Fluted Knob Compression Screw: Clear anodized 7075 Aluminum.
- 5 SBT 0.5mm LGA Pin: BeCu, Au Plated Over Ni. Spring Material: SS, Au Plated Over Ni.
- 6 Pogo Pin Guides: Ceramic Filled Peek
- 7 Socket Base Screw: Socket Head Cap Screw, alloy steel with black oxide finish, 0-80 Thread, 5/8" long.
- 8 Backing Plate: Black anodized 7075 Aluminum
- 9 Latch: Black anodized 7075 Aluminum.
- 10 IC guide: Ultem

**CBT-QFN-7000 Drawing**

© 2010 IRONWOOD ELECTRONICS, INC.  
 Tele: (952) 229-8200  
 www.ironwoodelectronics.com

Status: Released

Scale: -

Rev: A

Drawing: Vinayak R

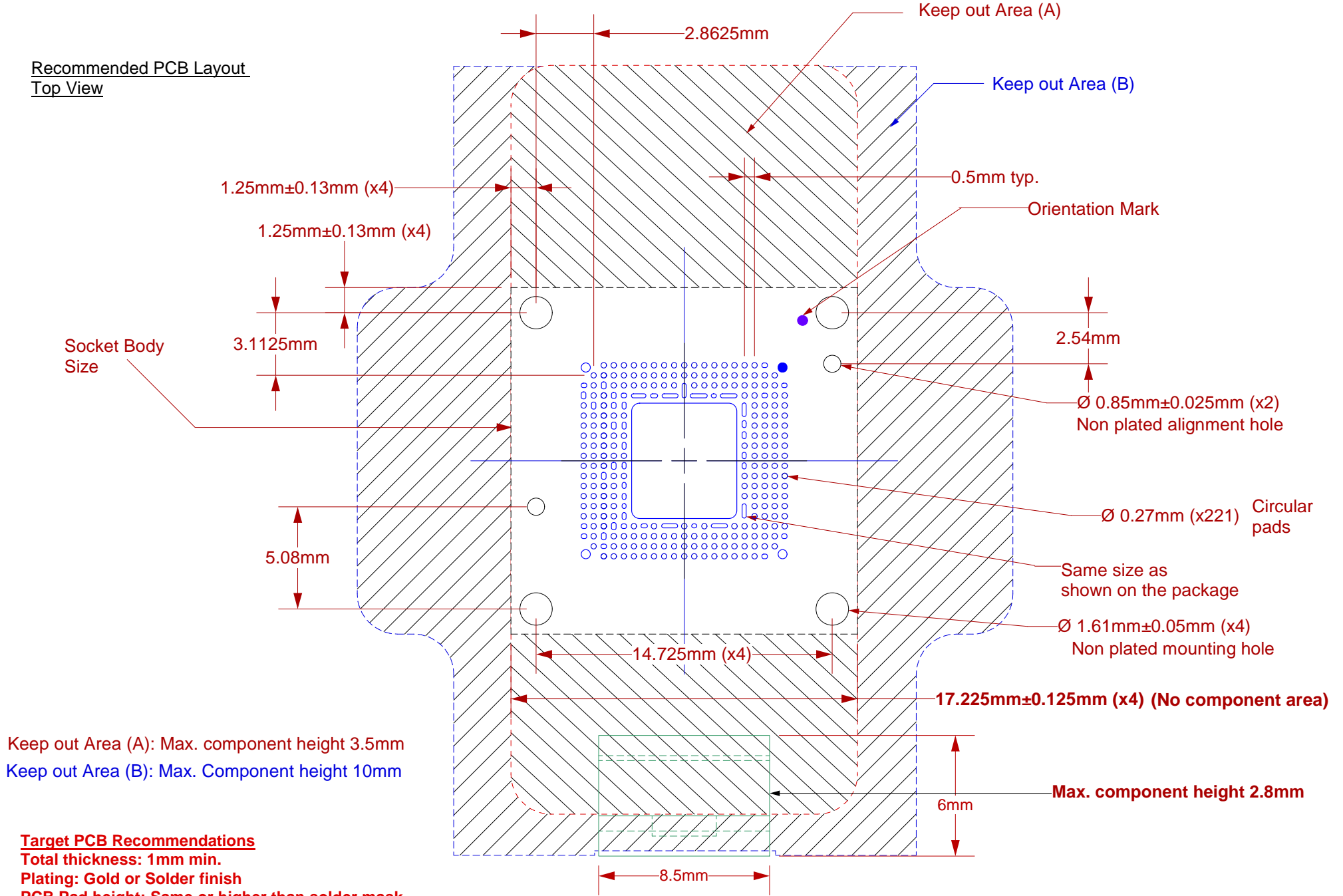
Date: 3/1/10

File: CBT-QFN-7000 Dwg

Modified:

All tolerances: ±0.125mm (unless stated otherwise). Materials and specifications are subject to change without notice.

Recommended PCB Layout  
Top View



Keep out Area (A): Max. component height 3.5mm

Keep out Area (B): Max. Component height 10mm


**Target PCB Recommendations**

Total thickness: 1mm min.

Plating: Gold or Solder finish

PCB Pad height: Same or higher than solder mask

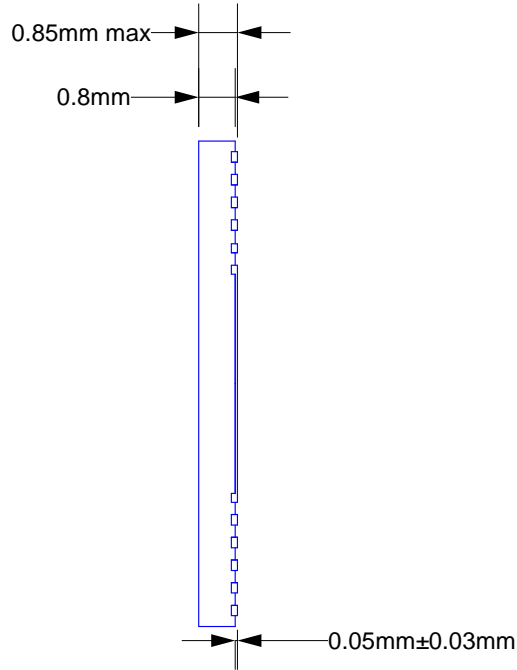
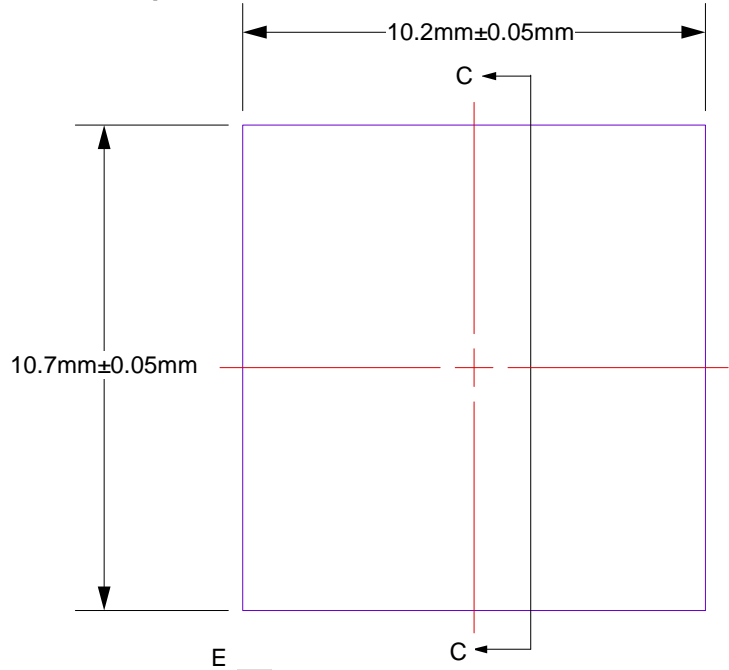
All dimensions are in mm unless stated otherwise

	<b>CBT-QFN-7000 Drawing</b>	Status: Released	Scale: 4:1	Rev: A
	© 2010 IRONWOOD ELECTRONICS, INC. Tele: (952) 229-8200 www.ironwoodelectronics.com	Drawing: Vinayak R		Date: 3/1/10
		File: CBT-QFN-7000 Dwg	Modified:	

Recommended PCB Layout  
Tolerances: ±0.025mm [±0.001"]  
unless stated otherwise.

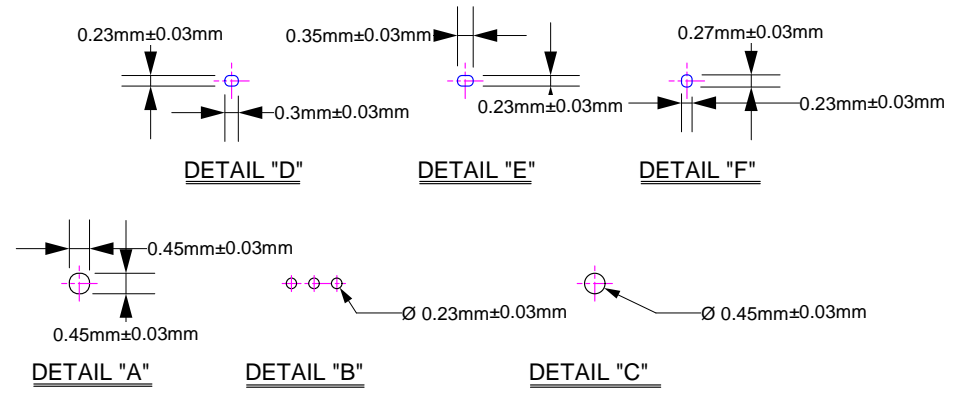
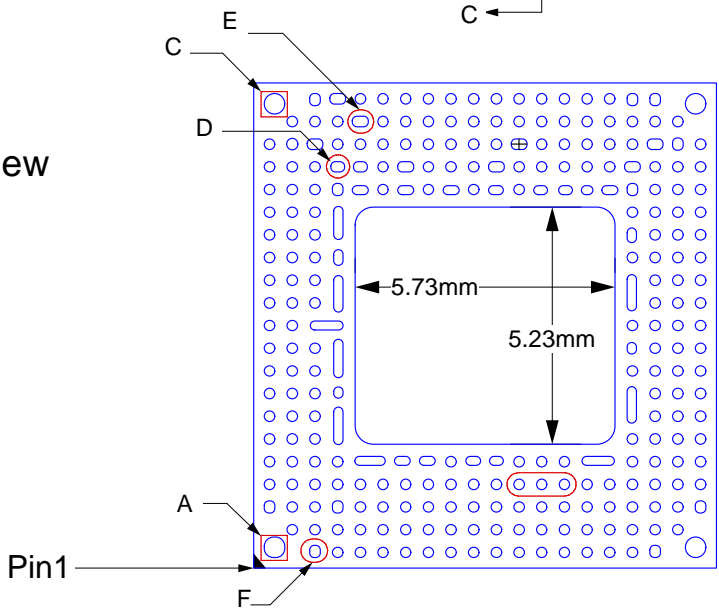
# Compatible QFN Spec.


Top View



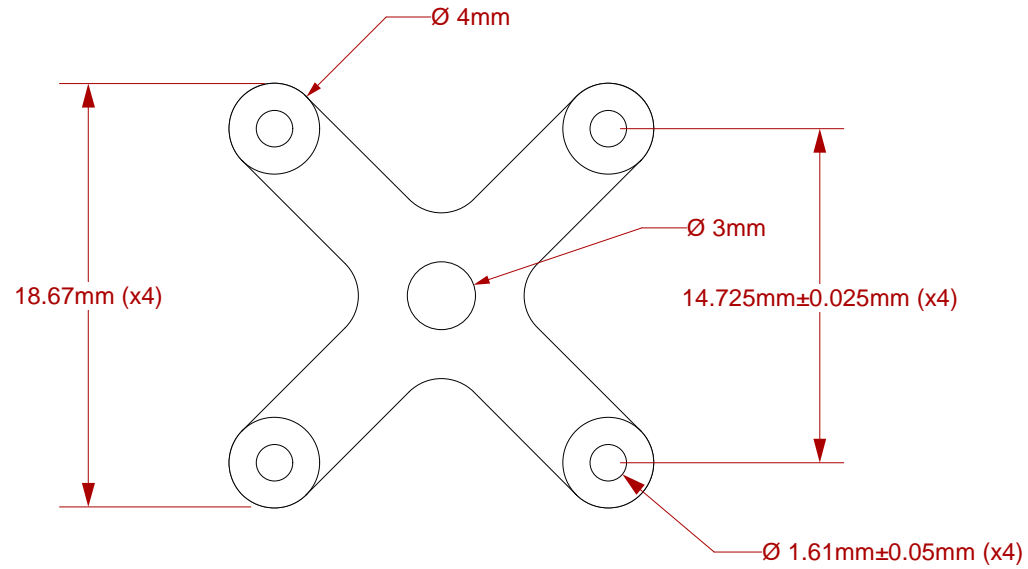
Section C-C

Bottom View



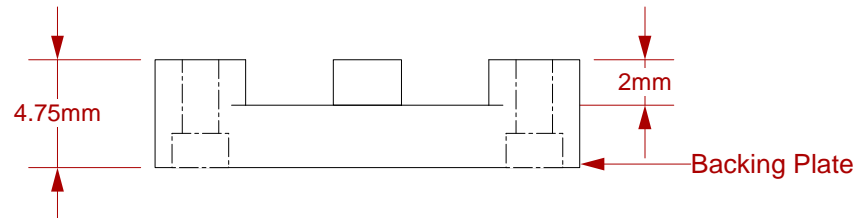
	<b>CBT-QFN-7000 Drawing</b> © 2010 IRONWOOD ELECTRONICS, INC. Tele: (952) 229-8200 www.ironwoodelectronics.com	Status: Released	Scale: -	Rev: A
		Drawing: Vinayak R	Date: 3/1/10	
		File: CBT-QFN-7000 Dwg	Modified:	

Top View




Note: Backing plate holes are tapped to accept 0-80 screws.

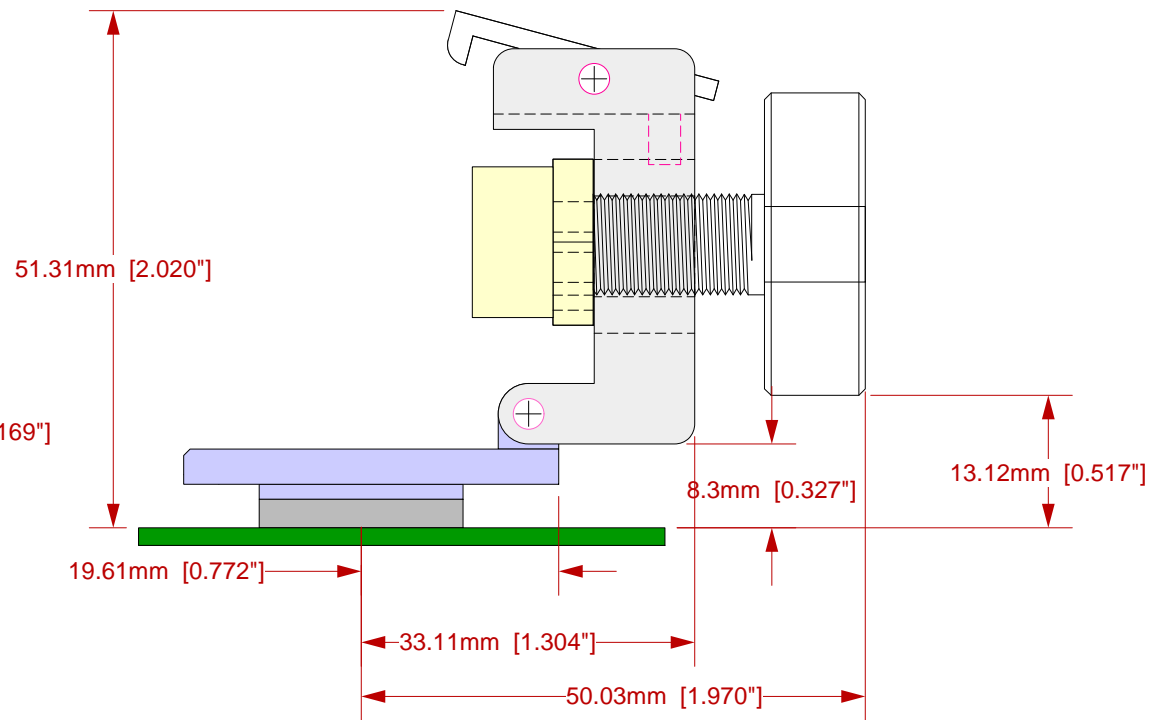
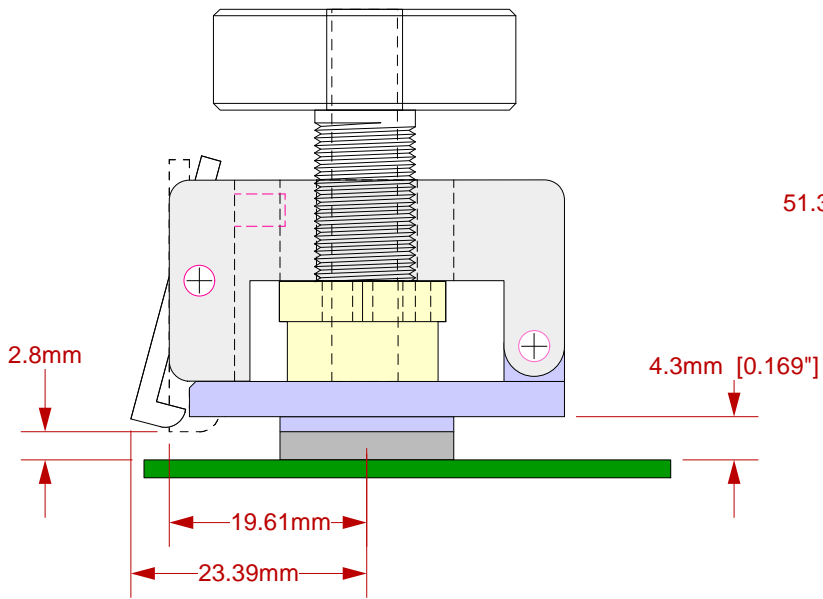
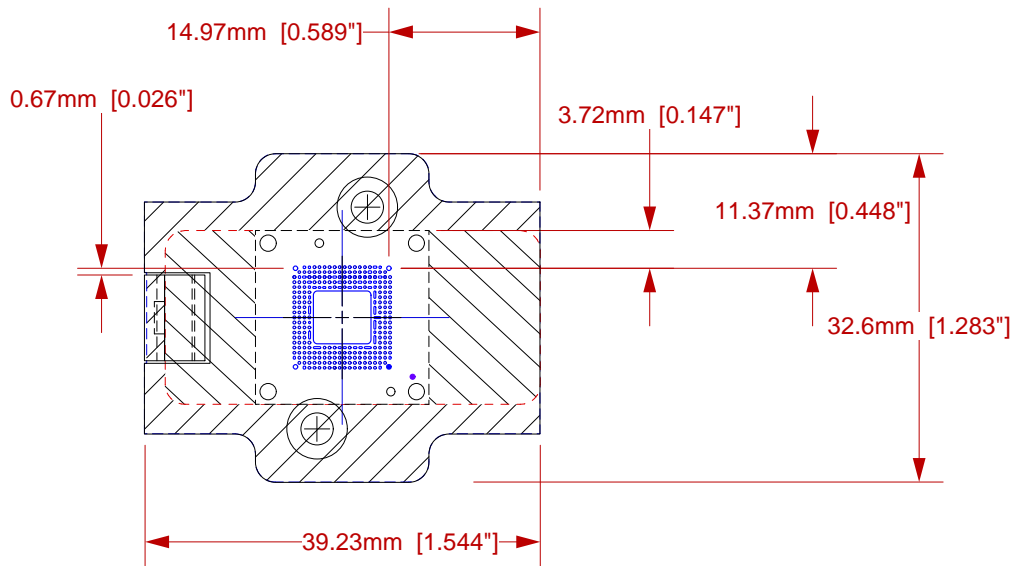
Side View




Description: Insulation Plate and Backing Plate

	© 2010 IRONWOOD ELECTRONICS, INC. Tele: (952) 229-8200 www.ironwoodelectronics.com	Status: Released	Scale: 3:1	Rev: A
		Drawing: Vinayak R		Date: 3/1/10
		File: CBT-QFN-7000 Dwg		Modified:

All dimensions are in mm.  
 All tolerances are  $\pm 0.125\text{mm}$ .  
 (Unless stated otherwise)



Description: Socket Assembly

	<b>CBT-QFN-7000 Drawing</b>	Status: Released	Scale: -	Rev: A
	© 2010 IRONWOOD ELECTRONICS, INC. Tele: (952) 229-8200 www.ironwoodelectronics.com	Drawing: Vinayak R		Date: 3/1/10
		File: CBT-QFN-7000 Dwg	Modified:	

All dimensions are in mm.  
 All tolerances are +/- 0.125mm.  
 (Unless stated otherwise)