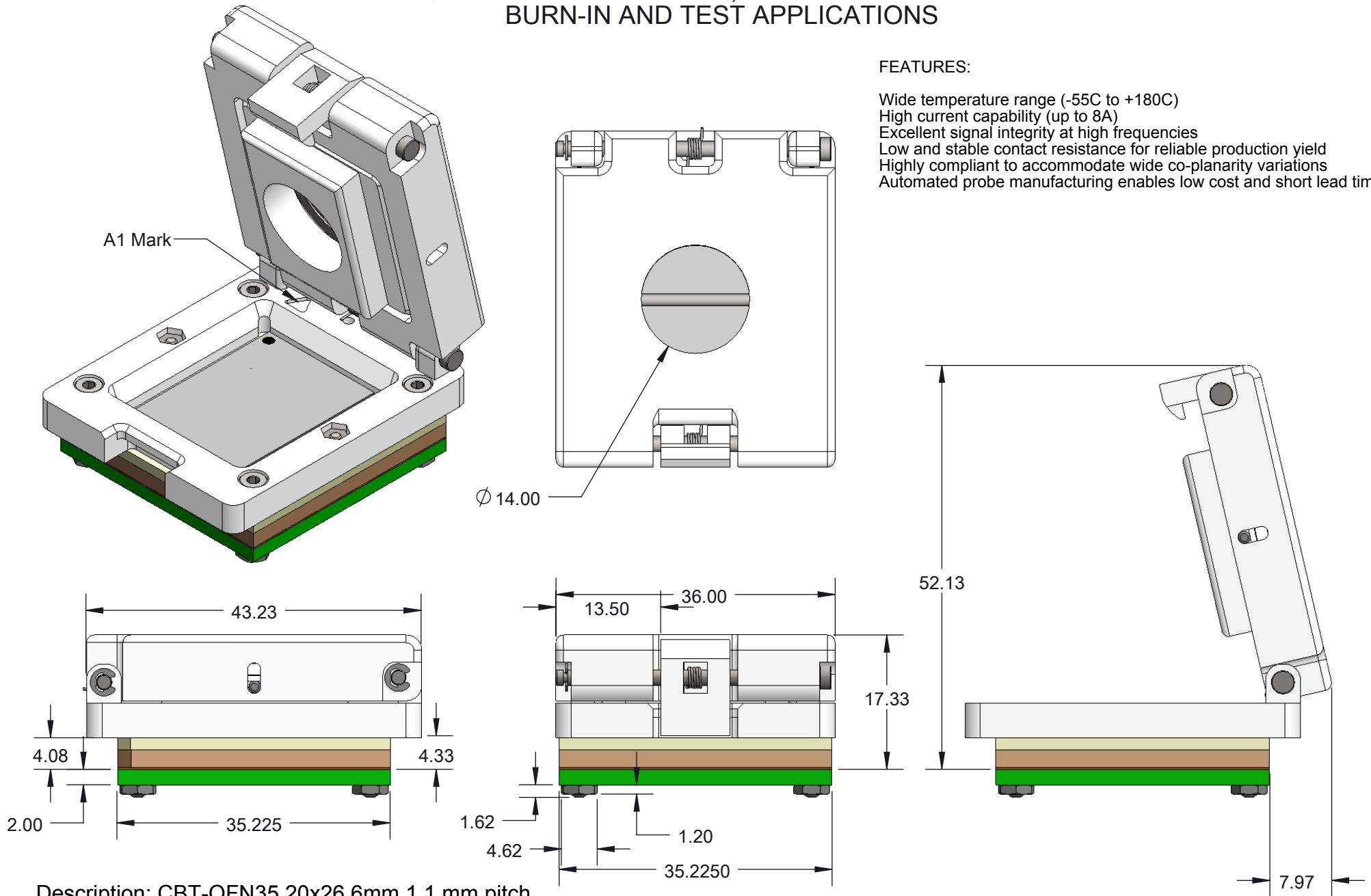


CBT-QFN/LGA DIRECT MOUNT, SOLDERLESS SOCKET FOR BURN-IN AND TEST APPLICATIONS

FEATURES:


- Wide temperature range (-55C to +180C)
- High current capability (up to 8A)
- Excellent signal integrity at high frequencies
- Low and stable contact resistance for reliable production yield
- Highly compliant to accommodate wide co-planarity variations
- Automated probe manufacturing enables low cost and short lead time

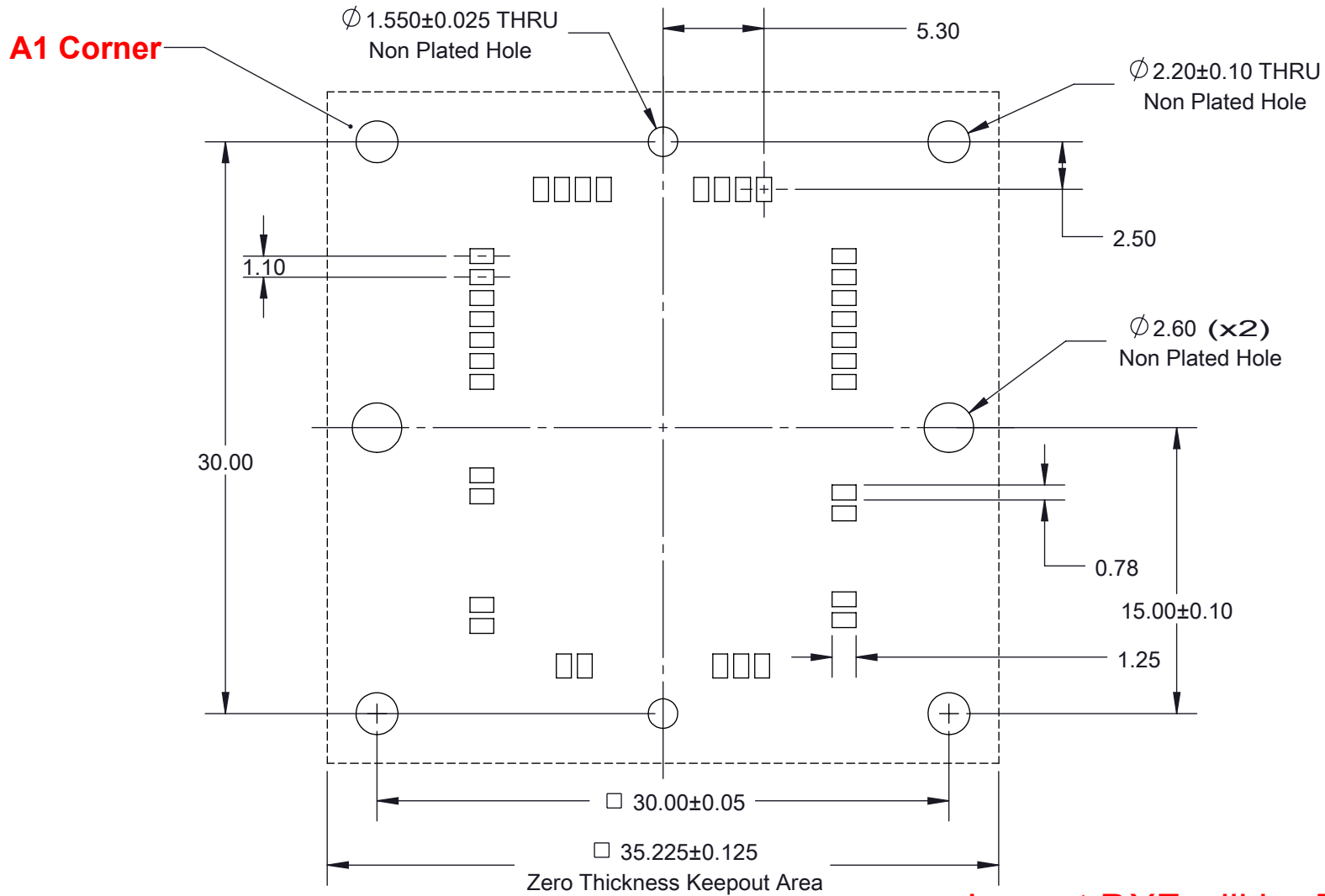


Description: CBT-QFN35 20x26.6mm 1.1mm pitch

Primary dimension units are millimeters, Secondary dimension units are [inches].

Tolerances: Hole diameters $\pm 0.03\text{mm}$ [$\pm 0.001''$], Pitches (from true position) $\pm 0.025\text{mm}$ [$\pm 0.001''$], substrate thickness tolerance $\pm 10\%$, all other tolerances $\pm 0.13\text{mm}$ [$\pm 0.005''$] unless stated otherwise. Materials and specifications are subject to change without notice.

 <p>CBT-QFN-7013 Specification Ironwood Electronics, Inc. Tele: (800) 404-0204 www.ironwoodelectronics.com</p>	Material: Material <not specified>	STATUS: Released	SHEET: 1 OF 4	REV. A
	Finish:	DRAWN BY: V.Panavala	SCALE: 3:2	
	Weight: 3.56	FILE: CBT-QFN-7013 Dwg	DATE: 8/15/2012	



Layout DXF will be Provided

Target PCB Recommendations

Total thickness: 1.6mm min.


Plating: Gold or Solder finish

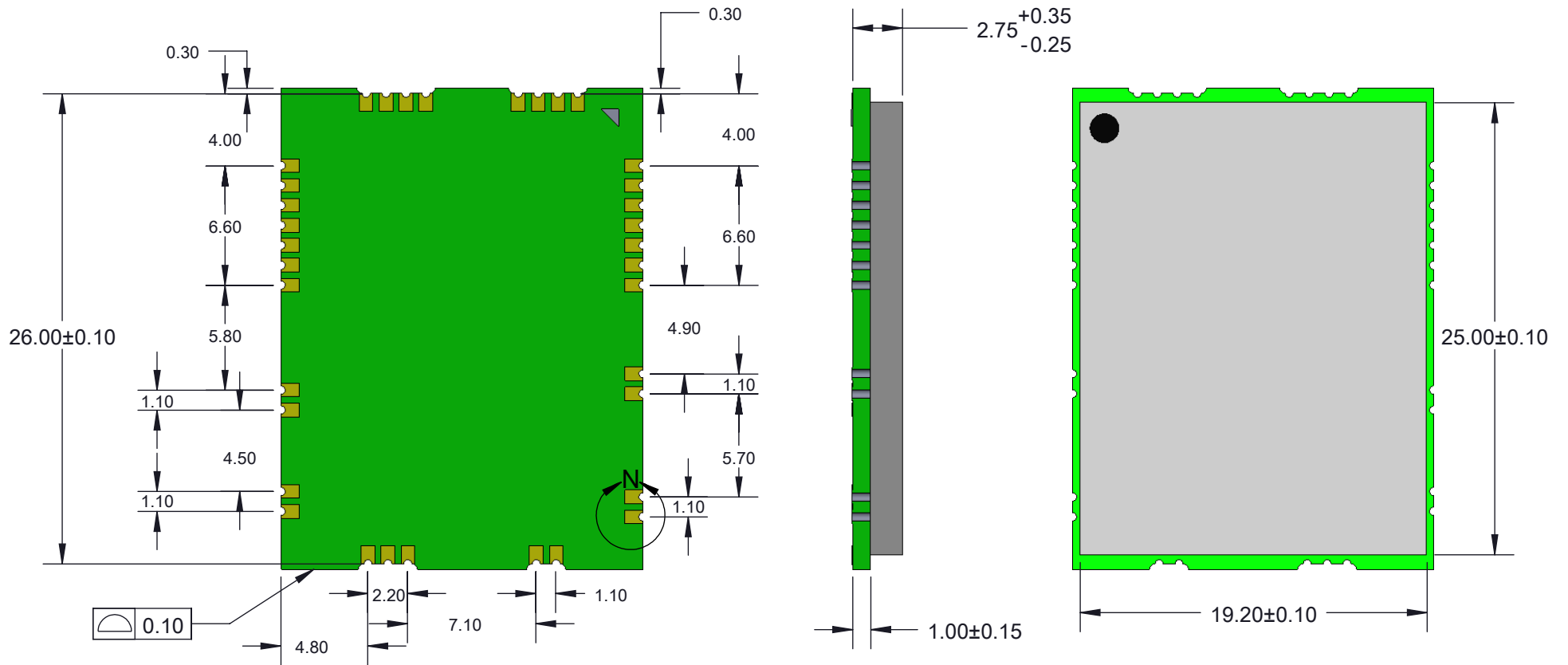
PCB Pad height: same or higher than solder mask

Description: Recommended PCB Layout

Primary dimension units are millimeters, Secondary dimension units are [inches], Weight is in grams.

Tolerances: Hole diameters $\pm 0.03\text{mm}$ [$\pm 0.001''$], Pitches (from true position) $\pm 0.025\text{mm}$ [$\pm 0.001''$], substrate thickness tolerance $\pm 10\%$, all other tolerances $\pm 0.13\text{mm}$ [$\pm 0.005''$] unless stated otherwise. Materials and specifications are subject to change without notice.

 <p>CBT-QFN-7013 Drawing Ironwood Electronics, Inc. Tele: (800) 404-0204 www.ironwoodelectronics.com</p>	Material: Material <not specified>	STATUS: Released	SHEET: 2 OF 4	REV. A
	Finish: Weight: 3.56	DRAWN BY: V.Panavala	SCALE: 3:1	
		FILE: CBT-QFN-7013 Dwg	DATE: 8/15/2012	




Ironwood Package Code: N/A
 Custom QFN package

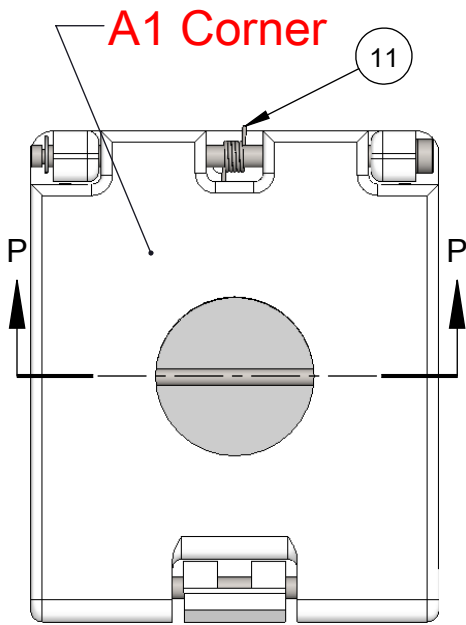
Description: Compatible BGA

Primary dimension units are millimeters, Secondary dimension units are [inches], Weight is in grams.

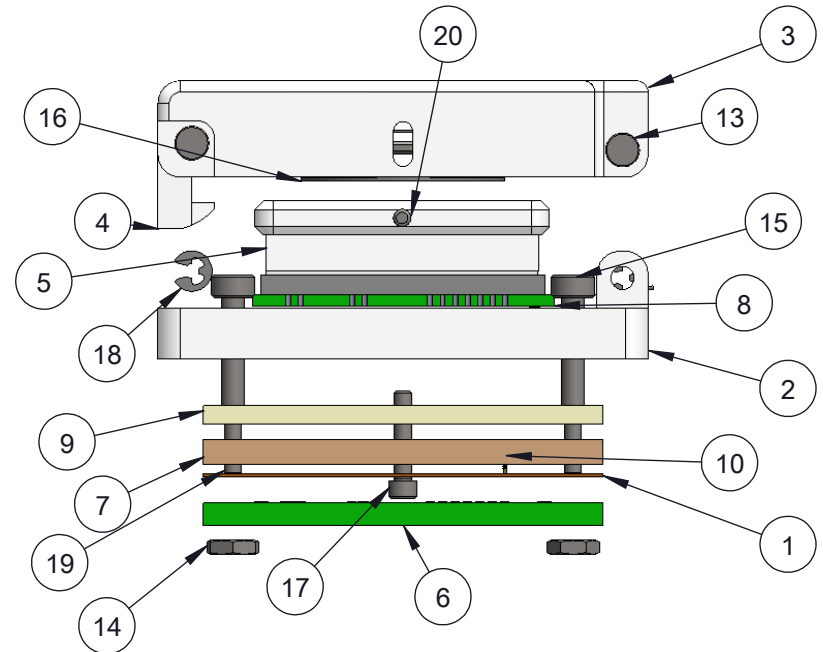
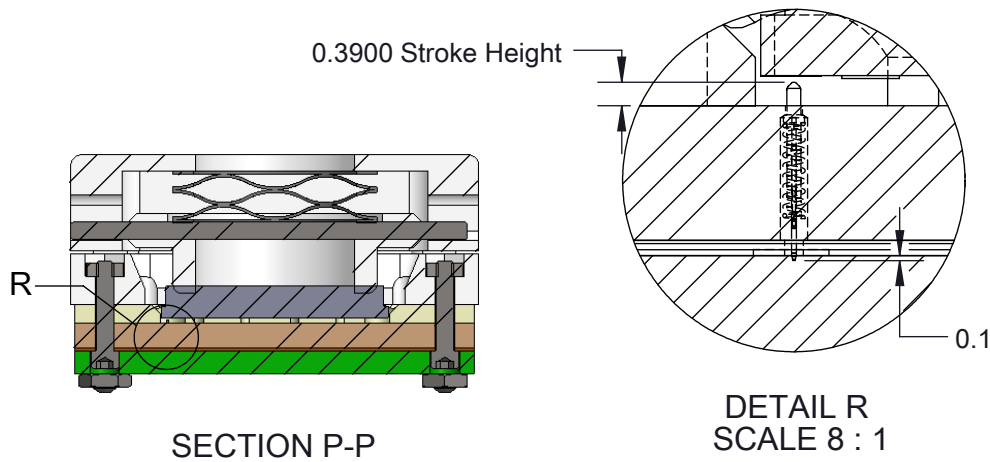
Tolerances: Hole diameters $\pm 0.03\text{mm}$ [$\pm 0.001''$], Pitches (from true position) $\pm 0.025\text{mm}$ [$\pm 0.001''$], substrate thickness tolerance $\pm 10\%$, all other tolerances $\pm 0.13\text{mm}$ [$\pm 0.005''$] unless stated otherwise. Materials and specifications are subject to change without notice.

DETAIL N
SCALE 6 : 1

 <p>CBT-QFN-7013 Drawing Ironwood Electronics, Inc. Tele: (800) 404-0204 www.ironwoodelectronics.com</p>	Material: Material <not specified>	STATUS: Released	SHEET: 3 OF 4	REV. A
	Finish: Weight: 3.56	DRAWN BY: V.Panavala	SCALE: 3:1	
		FILE: CBT-QFN-7013 Dwg	DATE: 8/15/2012	



ITEM NO.	Description	Material
1	Bottom Guide QFN35 20x26.6mm IC	Kapton Polyimide/Ultem/Kapton
2	CBT Plastic Socket Base 27mm	PPS
3	27mm Plastic Snap Clamshell Socket Lid	PPS/Ultem
4	Clamshell Latch Snap Lid Socket	PPS/Ultem
5	Compression Plate Plastic Snap lid 20x26mm	PPS/Ultem
6	Target PCB QFN35 20x26.6mm 1.1mm pitch	Material <not specified>
7	Top guide QFN35 20x26.6mm 1.1mm pitch	Ultem 1000
8	QFN35 20x26.6mm 1.1mm pitch	Material <not specified>
9	IC Guide QFN35 20 x 20.6mm	High Temp Fr4/Ultem
10	SBT-LGA/QFN Pogo Pin, 0.5mm-0.8mm	Contact Mtrl: BeCu, Au Plated over Ni
11	Torsion Spring, 180 0.109" OD, Ccw/Rh	Steel Music Wire
12	Nut, #0-80 x 3/64", SS	1023 Carbon Steel Sheet (SS)
13	Hinge Pin, M2 X 32.5mm LG, 18-8 SS	AISI 347 Annealed Stainless Steel (SS)
14	Nut, M2 x 1.2mm, SS	18-8 Stainless Steel
15	Screw, M2 x 10mm, Cap, STL	
16	Wave Spring 18 mm OD	Alloy Steel
17	#0-80 X .313 LG, SOC HD CAP SCREW, ALLOY STL, BLK OXIDE	Alloy Steel
18	Snap ring for 2mm Hinge pin 0.15" OD	
19	Dowel Pin, M1.5 x 5mm, SS	AISI 347 Annealed Stainless Steel (SS)
20	Dowel Pin, 1.53mm dia. 36mm LG, 18-8 SS	Alloy Steel




Description: Socket Assy, Insulation Plate

Primary dimension units are millimeters. Secondary dimension units are [inches]. Weight is in grams.

Tolerances: Hole diameters $\pm 0.03\text{mm}$ [$\pm 0.001"$], Pitches (from true position) $\pm 0.025\text{mm}$ [$\pm 0.001"$], substrate thickness tolerance $\pm 10\%$, all other tolerances $\pm 0.13\text{mm}$ [$\pm 0.005"$] unless stated otherwise. Materials and specifications are subject to change without notice.

ITEM # 12 NOT SHOWN

 <p>CBT-QFN-7013 Drawing Ironwood Electronics, Inc. Tele: (800) 404-0204 www.ironwoodelectronics.com</p>	<p>Material: Material <not specified> Finish: Weight: 3.56</p>	STATUS: Released	SHEET: 4 OF 4	REV. A
		DRAWN BY: V.Panavala	SCALE: 3:2	
		FILE: CBT-QFN-7013 Dwg	DATE: 8/15/2012	