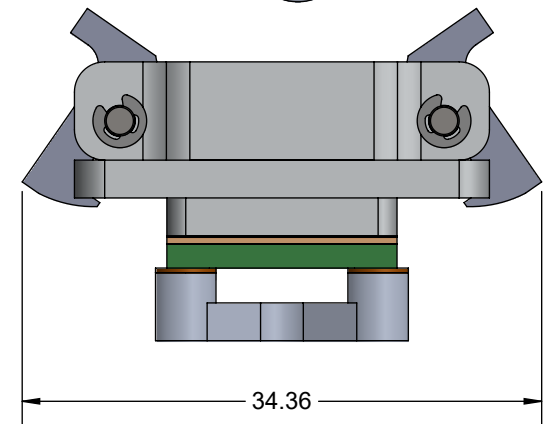
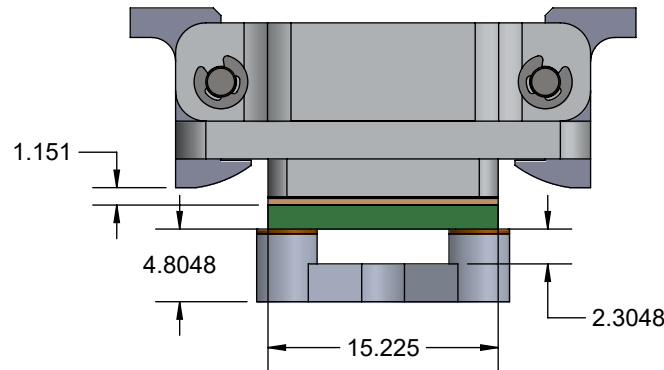
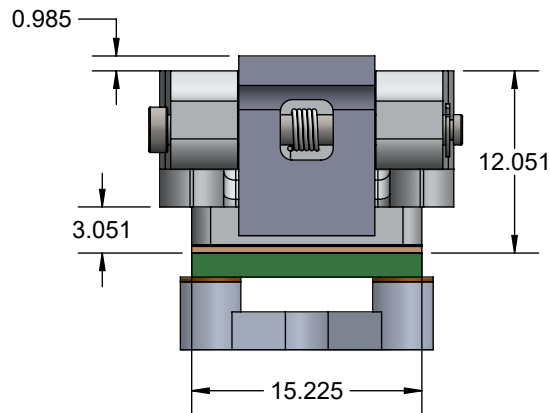
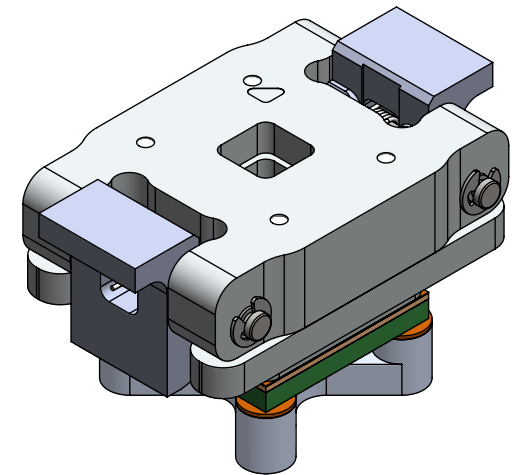
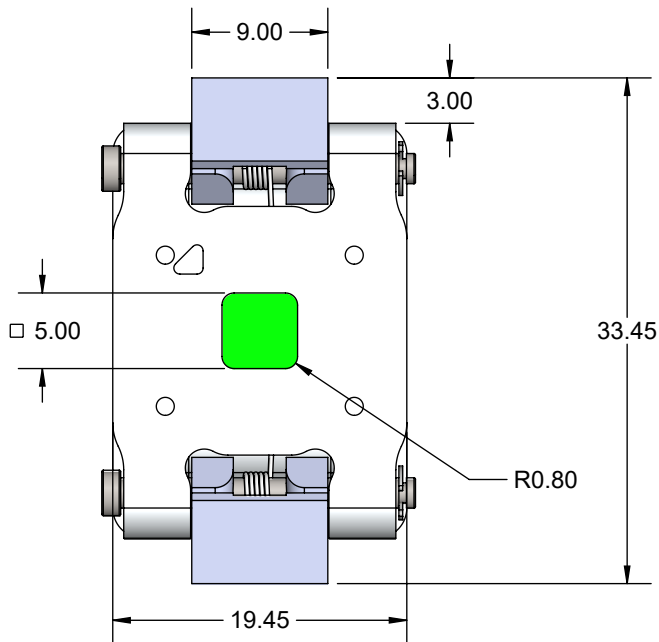


CG-BGA DIRECT MOUNT, SOLDERLESS SOCKET


Features

- Directly mounts to target PCB (needs tooling holes) with hardware
- High speed, reliable Elastomer connection
- Minimum real estate required
- Compression plate distributes forces evenly
- Ball guide prevents over compression of elastomer
- Easily removable swivel socket lid

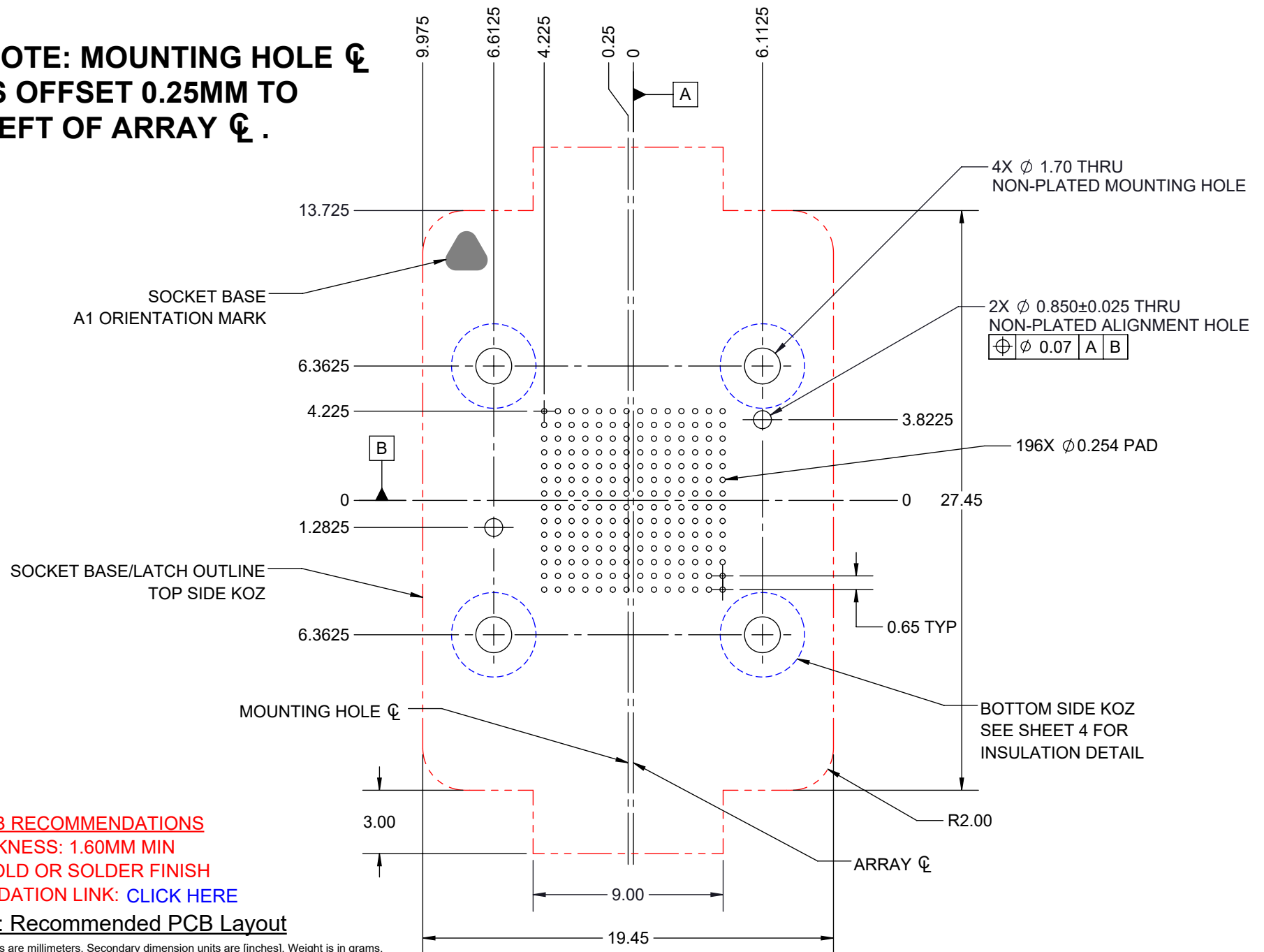


Description: CG-BGA196, 10x10mm, 14x14 Array, 0.65mm Pitch, Open Top, Dual Latch

Primary dimension units are millimeters, Secondary dimension units are [inches], Weight is in grams.
 Tolerances: Hole diameters $\pm 0.0254\text{mm}$ [$\pm 0.001^{\circ}$], Pitches (from true position) $\pm 0.0254\text{mm}$ [$\pm 0.001^{\circ}$],
 substrate thickness tolerance $\pm 10\%$, all other tolerances $\pm 0.127\text{mm}$ [$\pm 0.005^{\circ}$]
 unless stated otherwise. Materials and specifications are subject to change without notice.

 ©2017 Ironwood Electronics, Inc. Tele: (800) 404-0204 www.ironwoodelectronics.com	Material: N/A Finish: N/A Weight: 15.42	STATUS: Released	SHEET: 1 OF 4	REV. A
		ENG: A. Nord	DRAWN BY: M. Raske	SCALE: 2:1
		FILE: CG-BGA-5026 Dwg	DATE: 03/09/2018	


NOTE: MOUNTING HOLE \varnothing IS OFFSET 0.25MM TO LEFT OF ARRAY \varnothing .



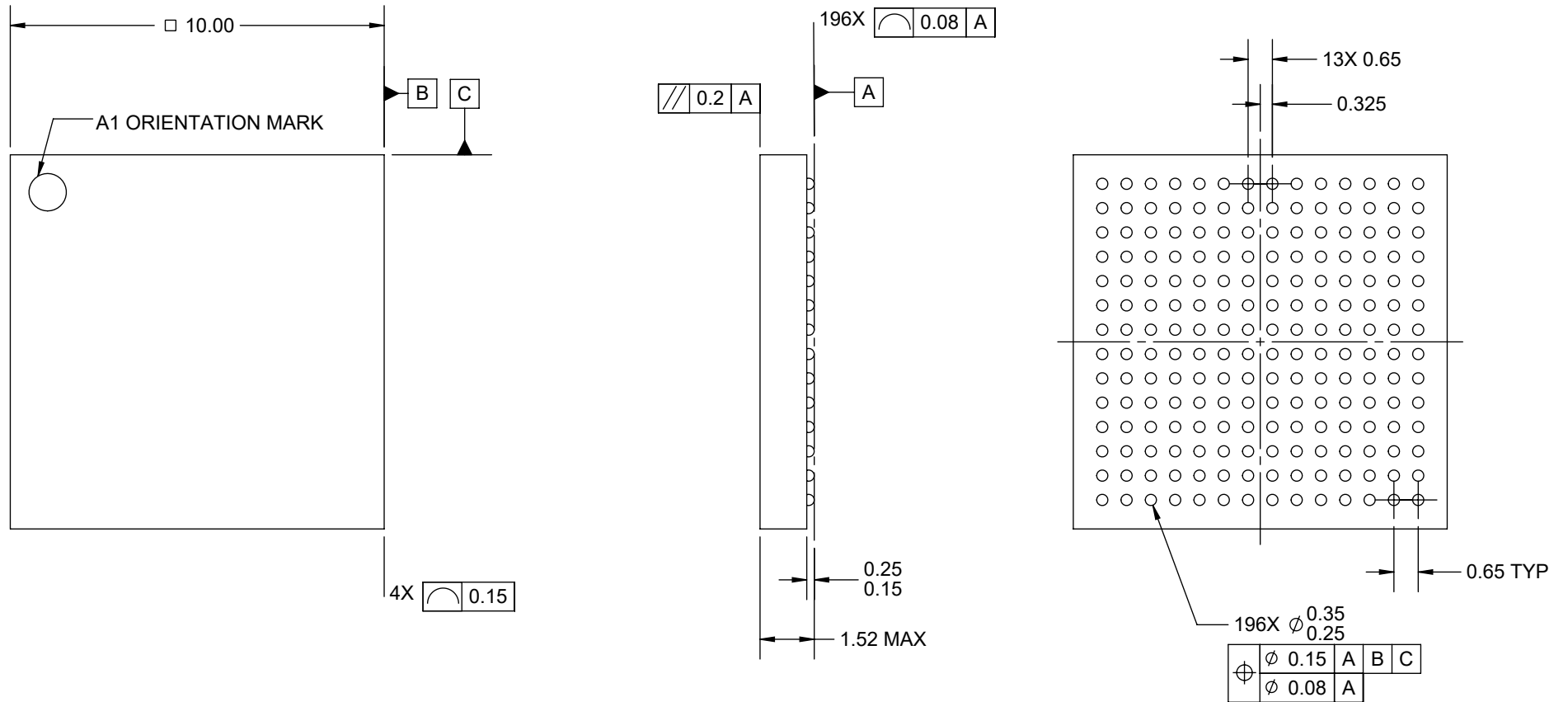
TARGET PCB RECOMMENDATIONS
TOTAL THICKNESS: 1.60MM MIN
PLATING: GOLD OR SOLDER FINISH
RECOMMENDATION LINK: [CLICK HERE](#)

Description: Recommended PCB Layout

Primary dimension units are millimeters, Secondary dimension units are [inches], Weight is in grams.
 Tolerances: Hole diameters \pm 0.0254mm [\pm 0.001"], Pitches (from true position) \pm 0.0254mm [\pm 0.001"], substrate thickness tolerance \pm 10%, all other tolerances \pm 0.127mm [\pm 0.005"] unless stated otherwise. Materials and specifications are subject to change without notice.


 ©2017 Ironwood Electronics, Inc. Tele: (800) 404-0204 www.ironwoodelectronics.com	CG-BGA-5026 Drawing	Material: N/A Finish: N/A Weight: 15.42	STATUS: Released ENG: A. Nord FILE: CG-BGA-5026 Dwg	SHEET: 2 OF 4 DRAWN BY: M. Raske DATE: 03/09/2018	REV. A SCALE: 4:1
---	----------------------------	---	---	---	----------------------

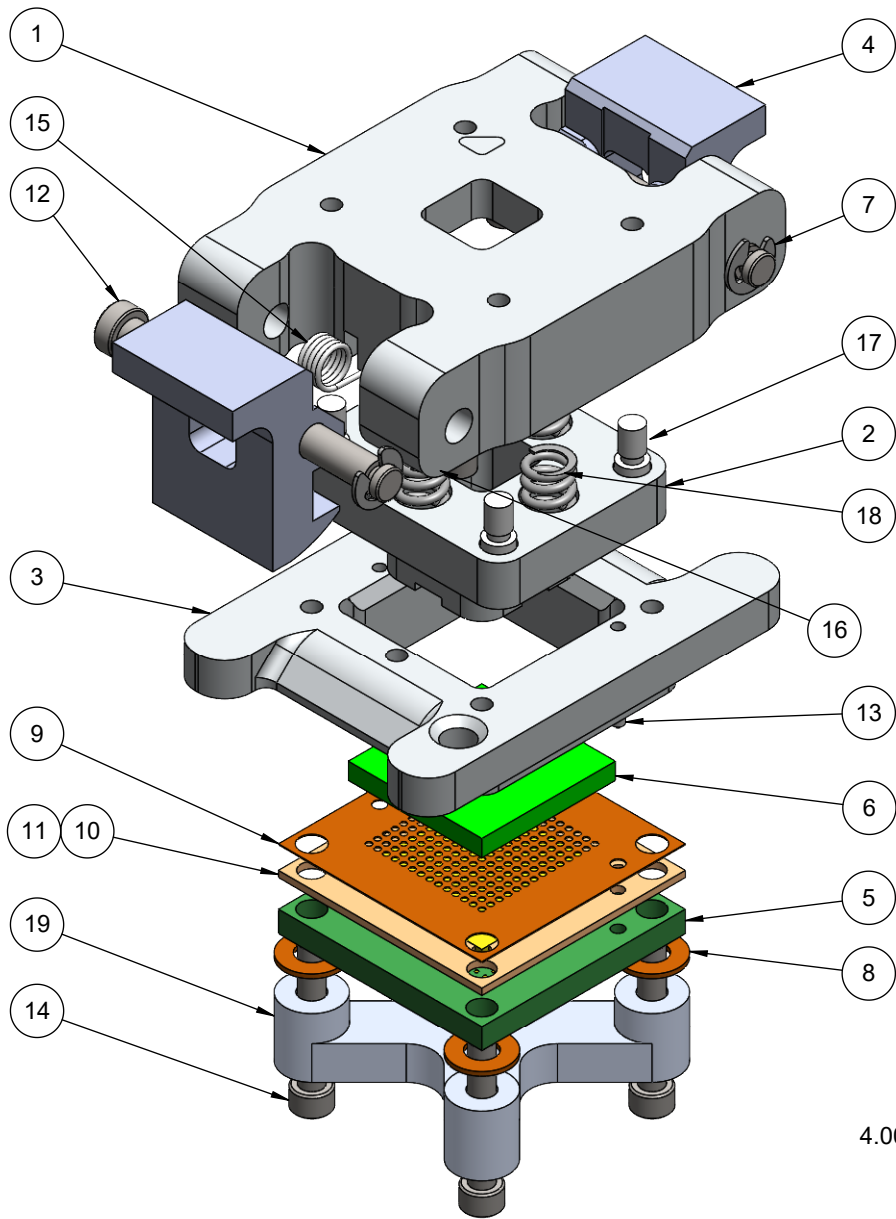
Ironwood package code : BGA196P



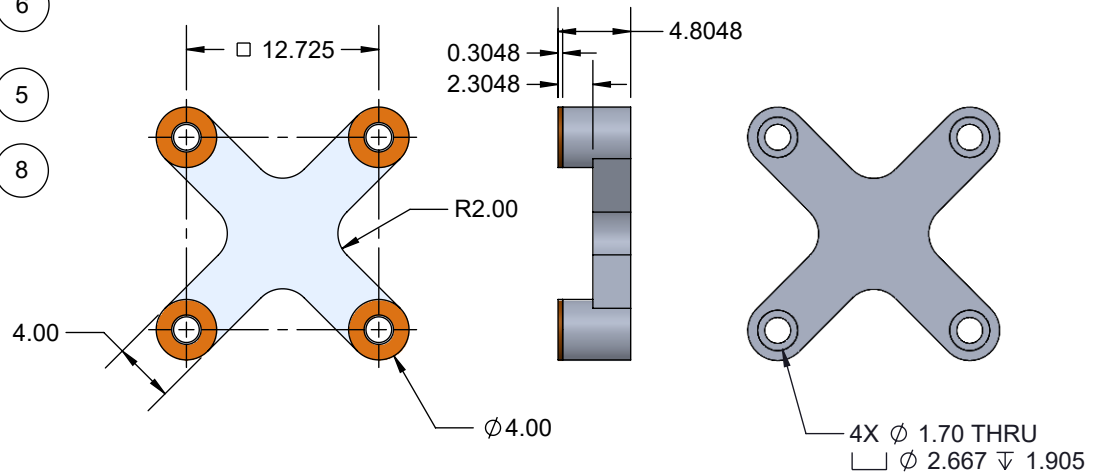
Description: Compatible Device

Primary dimension units are millimeters, Secondary dimension units are [inches], Weight is in grams.
 Tolerances: Hole diameters $\pm 0.0254\text{mm}$ [± 0.001 "], Pitches (from true position) $\pm 0.0254\text{mm}$ [± 0.001 "],
 substrate thickness tolerance $\pm 10\%$, all other tolerances $\pm 0.127\text{mm}$ [± 0.005 "]
 unless stated otherwise. Materials and specifications are subject to change without notice.

 ©2017 Ironwood Electronics, Inc. Tele: (800) 404-0204 www.ironwoodelectronics.com	CG-BGA-5026 Drawing	Material: N/A Finish: N/A Weight: 15.42	STATUS: Released	SHEET: 3 OF 4	REV. A
			ENG: A. Nord	DRAWN BY: M. Raske	SCALE: 6:1
			FILE: CG-BGA-5026 Dwg	DATE: 03/09/2018	




ITEM NO.	DESCRIPTION	Material
1	Socket Lid, 10x10mm IC, Open Top, Double Latch	7075-T6 Aluminum Alloy
2	Compression Plate, 10x10mm IC, Open Top, Cross Groove	7075-T6 Aluminum Alloy
3	Socket Base, 10x10mm IC, SG, Double Latch	7075-T6 Aluminum Alloy
4	Clamshell Latch Snap type 9mm wide	7075-T6 Alumium Alloy
5	Test PCB, 10x10mm, 14x14 Array, 0.65mm Pitch, BGA196	High Temp FR4
6	Test Chip, 10x10mm, 14x14 Array, 0.65mm Pitch, BGA196	FR4
7	Snap ring for 2mm Hinge pin 0.15" OD	Alloy Steel
8	Insulating washer, 4mm OD.	Kapton Polyimide/Cirlex
9	Ball Guide	Kapton Polyimide/Cirlex
10	Elastomer Guide 10x10mm	Ultem
11	0.5mm thick, 0.05x 0.05mm pitch, 10mm sqr, Z-axis conductive angled elastomer	Gold plated brass filaments in a silicon rubber; Thickness: 0.5mm
12	2mm diameter Hinge Pin, 20 mm long	Alloy Steel
13	Alignment Pin 1/32" dia. x 1/8" lng	Chrome Stainless Steel
14	18-8 Stainless Steel Socket Head Cap Screw 0-80 3/8" length	Stainless Steel (18-8)
15	Torsion Spring, 180 0.109" OD, Ccw/Rh	Steel Music Wire
16	M2 Dowel Pin 4mm SS	Stainless Steel (18-8)
17	Shoulder Screw 303 SS, 1.505mm Dia x 1.4732mm Long Shoulder, 0-80 Thread	Stainless Steel (303)
18	Compression Spring, 3mm OD, 6.5mm FL, 4.61lb@3.76mm SL, 42.81lb/in, 0.5mm WD, MW	Music Wire
19	Backing Plate, X-Shape, 4 Post, 10mm IC, SBT	7075-T6 Aluminum Alloy



Description: Socket Assembly, Misc Detail

Primary dimension units are millimeters, Secondary dimension units are [inches], Weight is in grams.
 Tolerances: Hole diameters $\pm 0.0254\text{mm}$ [± 0.001 "], Pitches (from true position) $\pm 0.0254\text{mm}$ [± 0.001 "], substrate thickness tolerance $\pm 10\%$, all other tolerances $\pm 0.127\text{mm}$ [± 0.005 "] unless stated otherwise. Materials and specifications are subject to change without notice.

 CG-BGA-5026 Drawing ©2017 Ironwood Electronics, Inc. Tele: (800) 404-0204 www.ironwoodelectronics.com	Material: N/A Finish: N/A Weight: 15.42	STATUS: Released	SHEET: 4 OF 4	REV. A
		ENG: A. Nord	DRAWN BY: M. Raske	SCALE: 5:2
		FILE: CG-BGA-5026 Dwg	DATE: 03/09/2018	