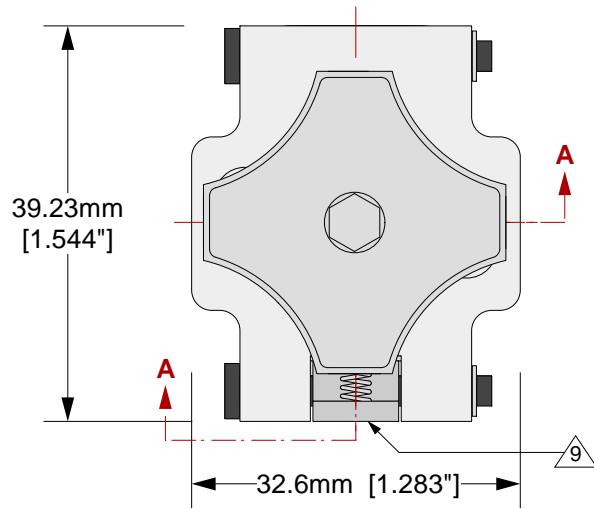
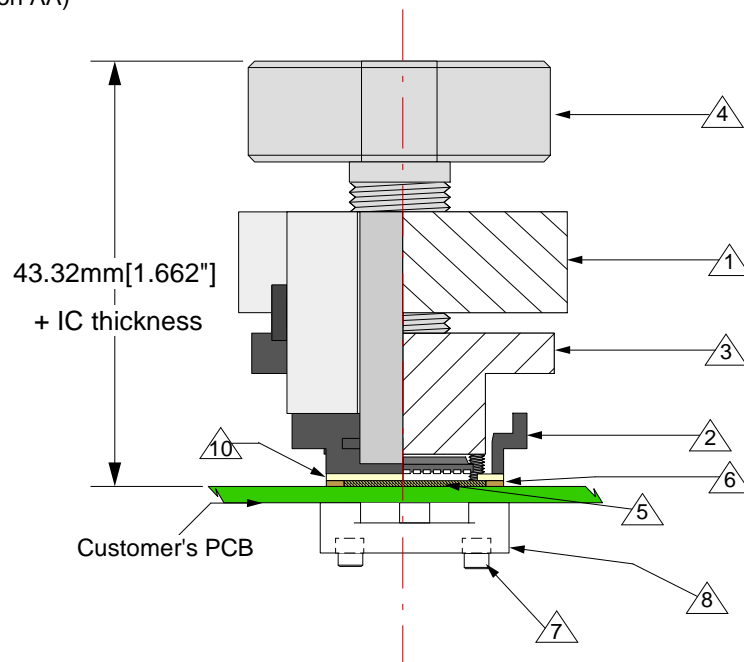


Top View



Side View  
(Section AA)




**Features**

- Directly mounts to target PCB (needs tooling holes) with hardware
- Minimum real estate required
- Compression plate distributes evenly
- Clamshell lid

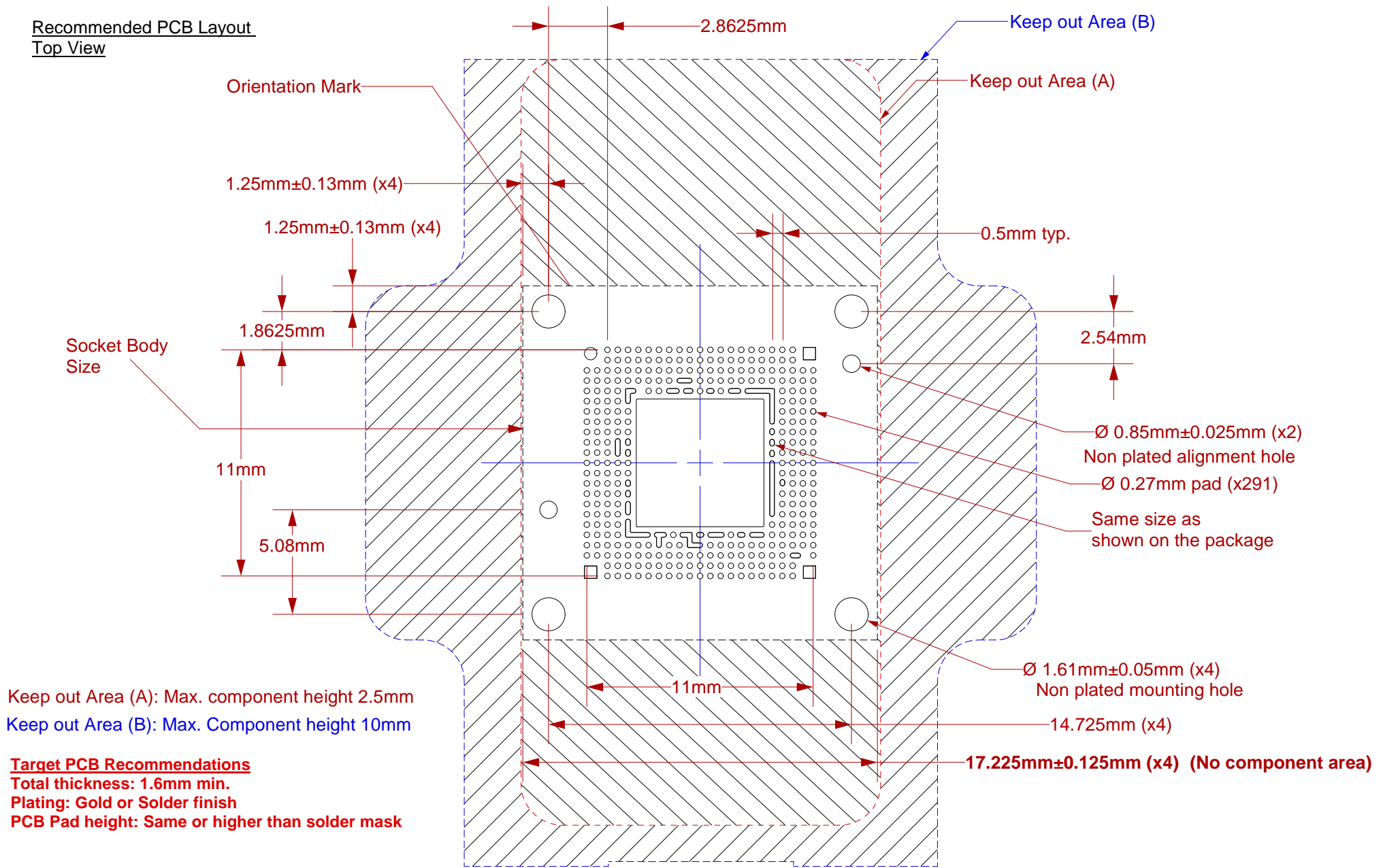
**Materials:**

- 1 Clam Shell Lid: Black anodized 7075 Aluminum. Height = 20 mm.
- 2 Socket Base: Black anodized 7075 Aluminum. Height = 6 mm.
- 3 Compression Plate: Black anodized 7075 Aluminum. Thickness = 12 mm.
- 4 Fluted Knob Compression Screw: Clear anodized 7075 Aluminum.
- 5 Elastomer: 20 micron dia gold plated brass filaments arranged symmetrically in a silicone rubber (63.5 degree angle). Thickness = 0.5mm.
- 6 Elastomer Guide: Ultem 1000. Thickness: 0.425mm
- 7 Socket Base Screw: Socket Head Cap Screw, alloy steel with black oxide finish, 0-80 Thread, 5/8" long.
- 8 Backing Plate: Black anodized 7075 Aluminum
- 9 Latch: Black anodized 7075 Aluminum.
- 10 IC guide: Ultem

	<b>CG-QFN-7000 Drawing</b>	Status: Released	Scale: -	Rev: A
	© 2010 IRONWOOD ELECTRONICS, INC. Tele: (952) 229-8200 www.ironwoodelectronics.com	Drawing: Vinayak R		Date: 3/23/10
		File: CG-QFN-7000 Dwg	Modified:	

All tolerances: ±0.125mm (unless stated otherwise). Materials and specifications are subject to change without notice.


**Recommended PCB Layout  
Top View**



**Target PCB Recommendations**  
**Total thickness: 1.6mm min.**  
**Plating: Gold or Solder finish**  
**PCB Pad height: Same or higher than solder mask**

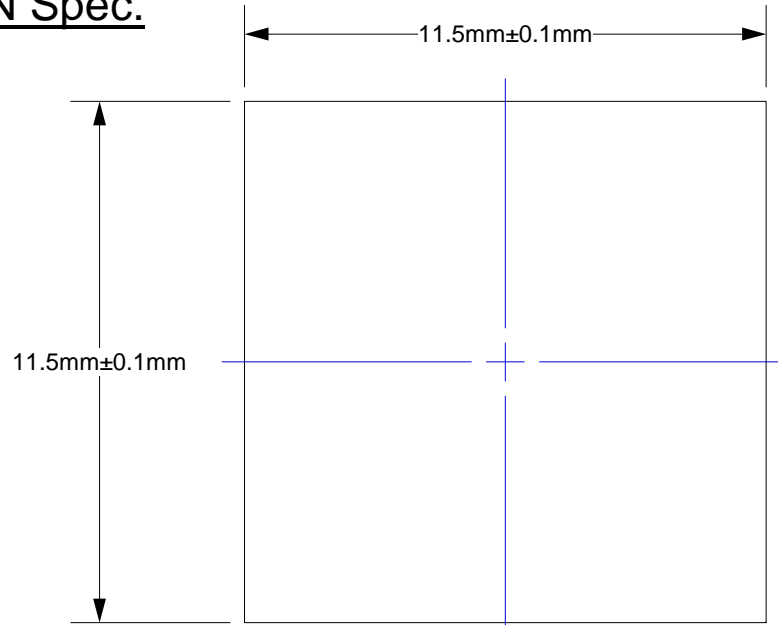
All dimensions are in mm unless stated otherwise

Recommended PCB Layout Tolerances: ±0.025mm [±0.001"] unless stated otherwise.

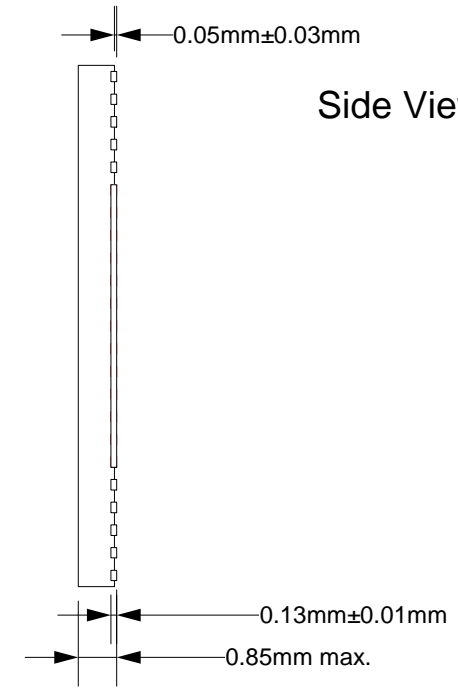
 <p>© 2010 IRONWOOD ELECTRONICS, INC.          Tele: (952) 229-8200          www.ironwoodelectronics.com</p>	<p><b>CG-QFN-7000 Drawing</b></p>	<p>Status: Released</p>	<p>Scale: 4:1</p>	<p>Rev: A</p>
	<p>Drawing: Vinayak R</p>	<p>Date: 3/23/10</p>		<p><b>PAGE 2 of 4</b></p>
	<p>File: CG-QFN-7000 Dwg</p>	<p>Modified:</p>		

Compatible QFN Spec.

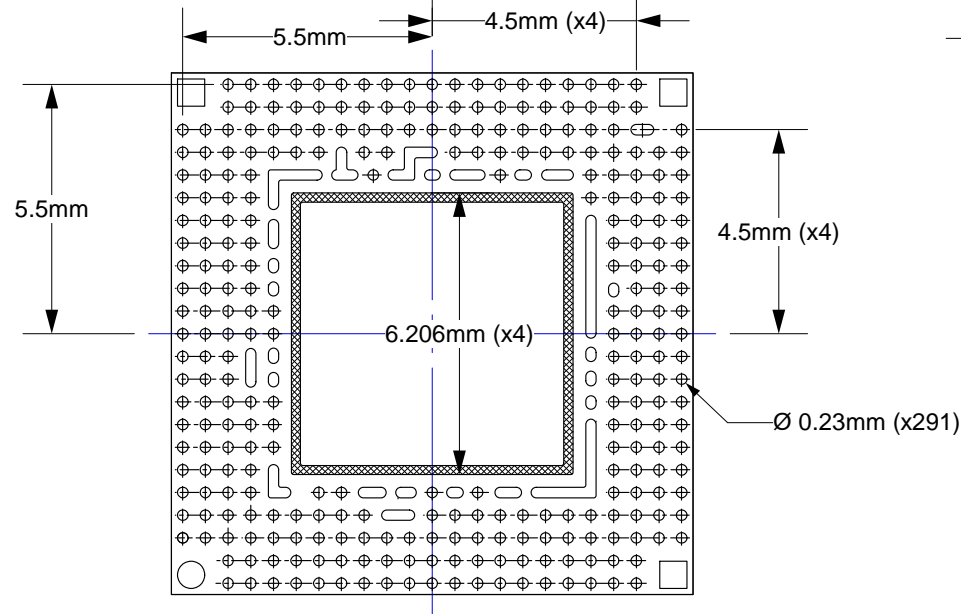
Top View




Side View

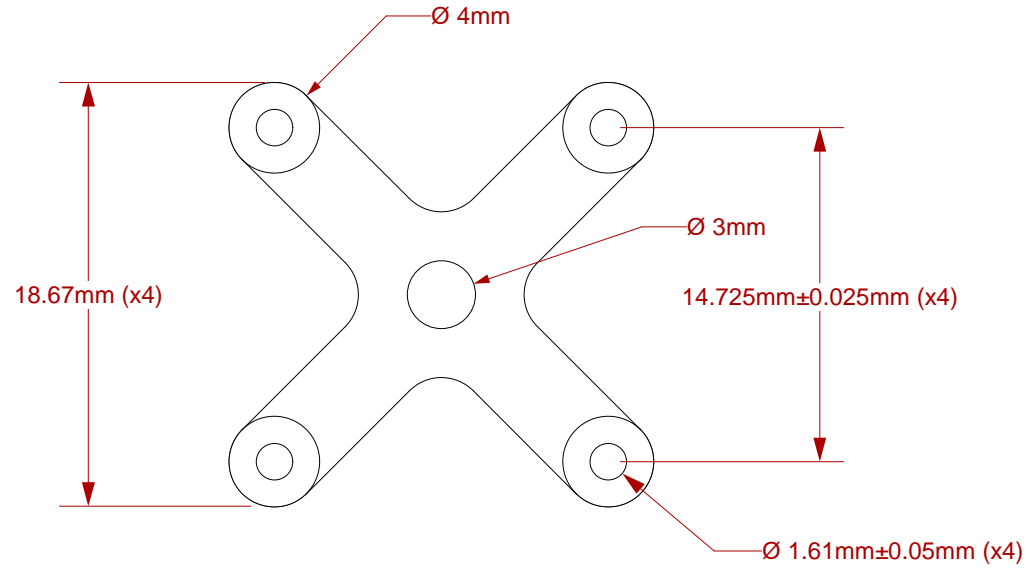


Bottom View



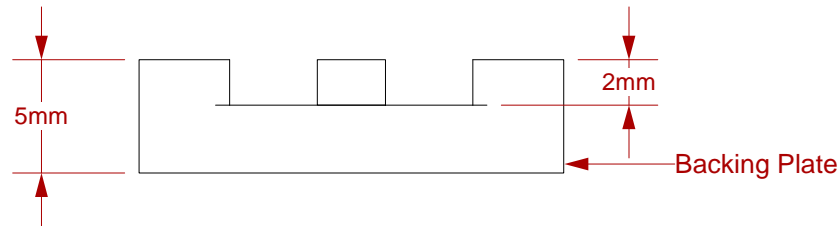
	<b>CG-QFN-7000 Drawing</b>	Status: Released	Scale: -	Rev: A
	© 2010 IRONWOOD ELECTRONICS, INC. Tele: (952) 229-8200 www.ironwoodelectronics.com	Drawing: Vinayak R		Date: 3/23/10
		File: CG-QFN-7000 Dwg	Modified:	

Top View




Note: Backing plate holes are tapped to accept 0-80 screws.

Side View



Description: Backing Plate

All dimensions are in mm.  
All tolerances are +/- 0.125mm.  
(Unless stated otherwise)

<b>CG-QFN-7000 Drawing</b>		Status: Released	Scale: -	Rev: A
	© 2010 IRONWOOD ELECTRONICS, INC. Tele: (952) 229-8200 www.ironwoodelectronics.com		Drawing: Vinayak R	
			Date: 3/23/10	
			File: CG-QFN-7000 Dwg	
			Modified:	