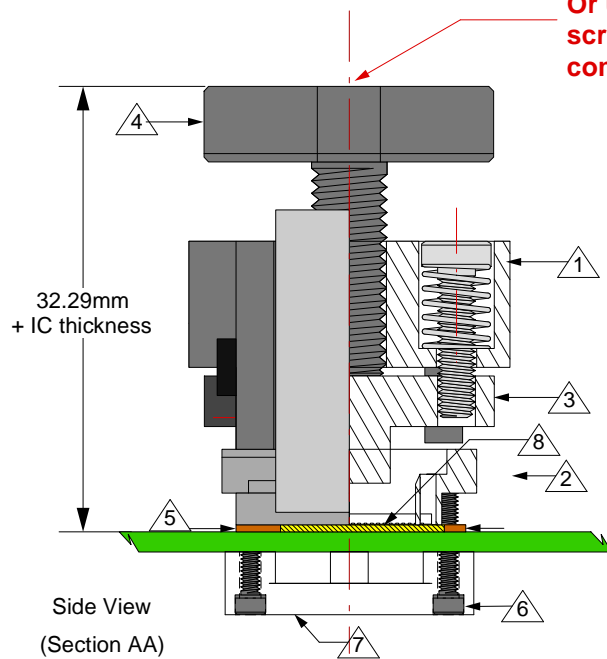


Top View

**Recommended torque is 24 in oz.
Or using hex key, turn the compression
screw clockwise one half a turn (after screw,
compression plate and BGA IC make contact).**




Side View
(Section AA)

Features

- Directly mounts to target PCB (needs tooling holes) with hardware.
- Minimum real estate required
- Compression plate distributes forces evenly
- Clamshell lid
- Minimum real estate required
- High speed, reliable Elastomer connection

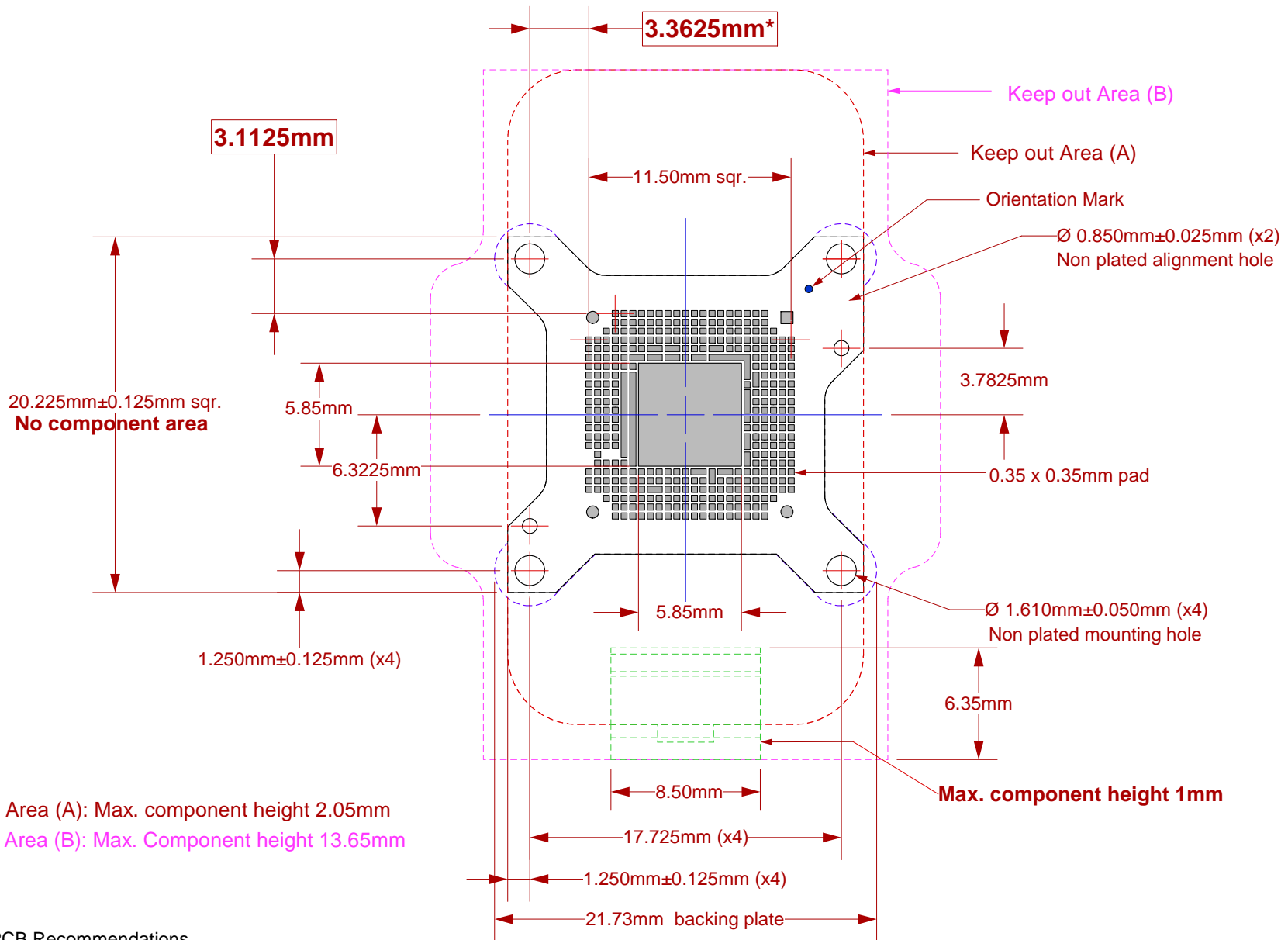
Materials:

- 1 Clam Shell Lid: Black anodized Aluminum. Height = 20 mm.
- 2 Socket Base: Black anodized Aluminum. Height = 6 mm.
- 3 Compression Plate: Black anodized Aluminum. Thickness = 12 mm.
- 4 Compression Screw: Clear anodized Aluminum. Height = 27 mm, Fluted Knob
- 5 Elastomer Guide: Ultem 1000. Thickness: 0.425mm
- 6 Socket Base Screw: Socket Head Cap Screw, alloy steel with black oxide finish, 0-80 Thread, 3/8" long.
- 7 Backing Plate: Black anodized Aluminum
- 8 Elastomer: 20 micron dia gold plated brass filaments arranged symmetrically in a silicone rubber (63.5 degree angle). Thickness = 0.5mm.
- 9 Latch: Black anodized Aluminum.

	CG-QFN-7004 Drawing	Status: Released	Scale: 0.16:1	Rev: A
	© 2010 IRONWOOD ELECTRONICS, INC. 11351 Rupp Drive, Suite 400, Burnsville, MN 55337 Tele: (952) 229-8200 www.ironwoodelectronics.com	Drawing: E Smolentseva		Date: 8/24/10
		File: CG-QFN-7004 Dwg	Modified:	

All Tolerances: ±0.125mm (unless stated otherwise). Materials and specifications are subject to change without notice.


Recommended PCB Layout
Top View



Keep out Area (A): Max. component height 2.05mm
Keep out Area (B): Max. Component height 13.65mm

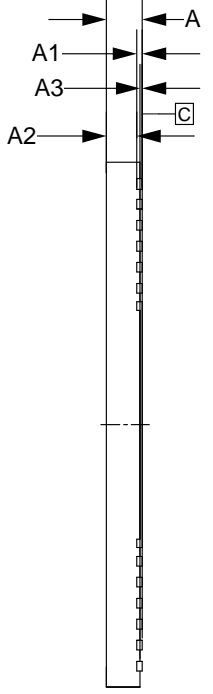
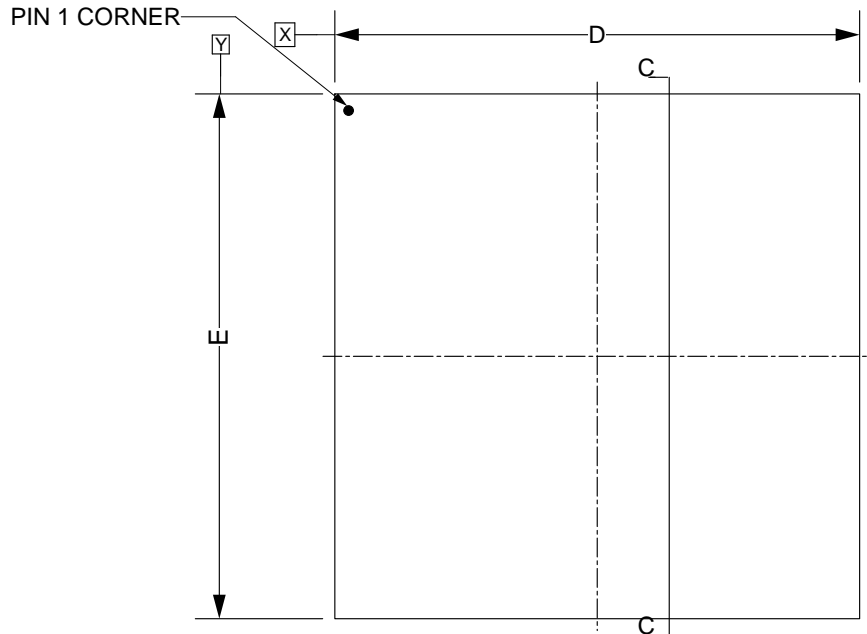
Target PCB Recommendations
Total thickness: 1.5mm min.
Plating: Gold or Solder finish

DXF DATA WILL BE PROVIDED

	CG-QFN-7004 Drawing	Status: Released	Scale: 0.16:1	Rev: A
	© 2010 IRONWOOD ELECTRONICS, INC. 11351 Rupp Drive, Suite 400, Burnsville, MN 55337 Tele: (952) 229-8200 www.ironwoodelectronics.com	Drawing: E Smolentseva		Date: 8/24/10
		File: CG-QFN-7004 Dwg	Modified:	

Recommended PCB Layout Tolerances:
±0.025mm [±0.001"] unless stated otherwise.

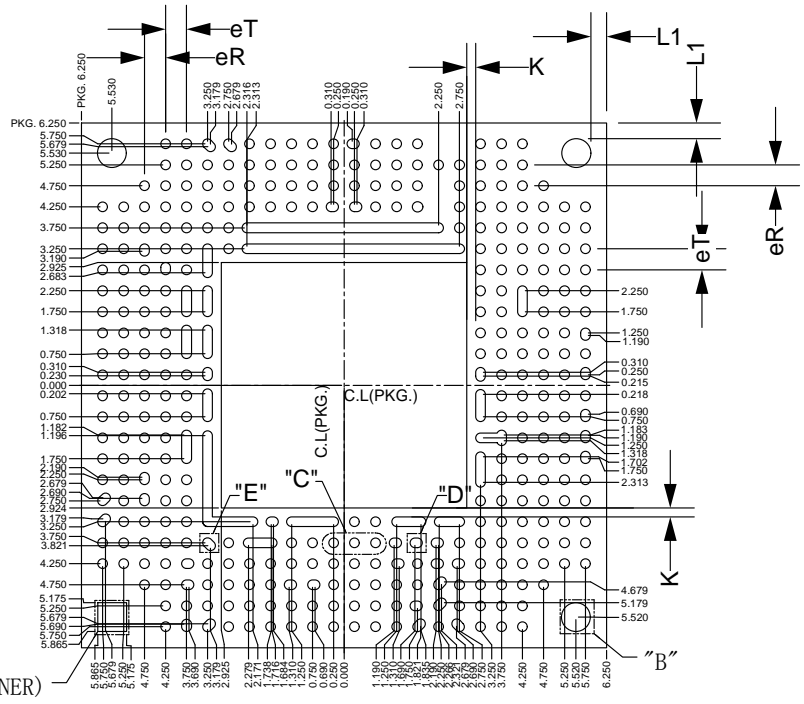
TOP VIEW



* CONTROLLING DIMENSION : MM

SYMBOL	MILLIMETER			INCH		
	MIN.	NOM.	MAX.	MIN.	NOM.	MAX.
A	---	---	0.85	---	---	0.033
A3	0.020	0.050	0.080	0.001	0.002	0.003
A2	0.640	0.675	0.710	0.025	0.027	0.028
A1	0.120	0.130	0.140	0.005	0.005	0.006
b	0.640	0.690	0.740	0.025	0.027	0.029
b1	0.180	0.230	0.280	0.007	0.009	0.011
b2	0.240	0.290	0.340	0.009	0.011	0.013
b3	0.280	0.330	0.380	0.011	0.013	0.015
L	0.640	0.690	0.740	0.025	0.027	0.029
D	12.50 BSC.			0.492 BSC.		
D2	5.799	5.849	5.899	0.228	0.230	0.232
E	12.50 BSC.			0.492 BSC.		
E2	5.799	5.849	5.899	0.228	0.230	0.232
eT	0.500			0.020		
eR	0.500			0.020		
K	0.160	0.210	0.260	0.006	0.008	0.010
L1	0.335	0.385	0.435	0.013	0.015	0.017
TOLERANCES OF FORM AND POSITION						
aaa	0.050			0.002		
bbb	0.100			0.004		
ddd	0.050			0.002		
ccc	0.100			0.004		
eee	0.080			0.003		
fff	0.100			0.004		

BOTTOM VIEW

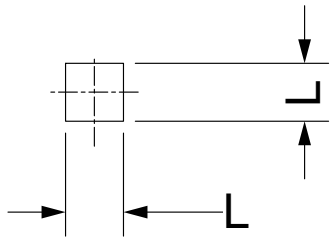


SECTION C-C

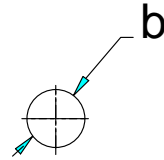
PACKAGE OUTLINE
338L aQFN
(PACKAGE SIZE : 12.50*12.50*0.85 mm)

	CG-QFN-7004 Drawing © 2010 IRONWOOD ELECTRONICS, INC. 11351 Rupp Drive, Suite 400, Burnsville, MN 55337 Tele: (952) 229-8200 www.ironwoodelectronics.com	Status: Released	Scale: 0.16:1	Rev: A
		Drawing: E Smolentseva	Date: 8/24/10	
		File: CG-QFN-7004 Dwg	Modified:	

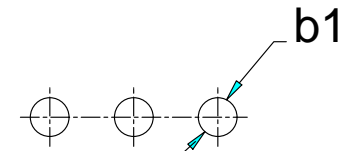
All units are in mm.
Tolerance is +/- 0.05



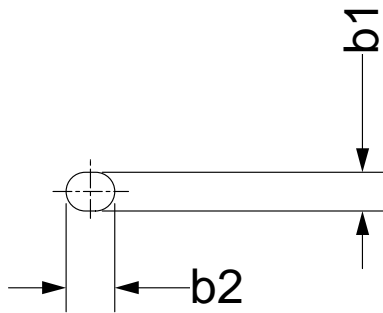
DETAIL "A" (1:1)(1X)



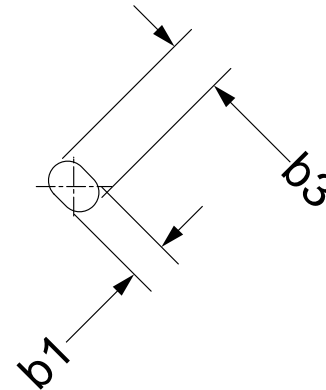
DETAIL "B" (1:1)(3X)




DETAIL "C" (2:1)(300X)



DETAIL "D" (2:1)(24X)

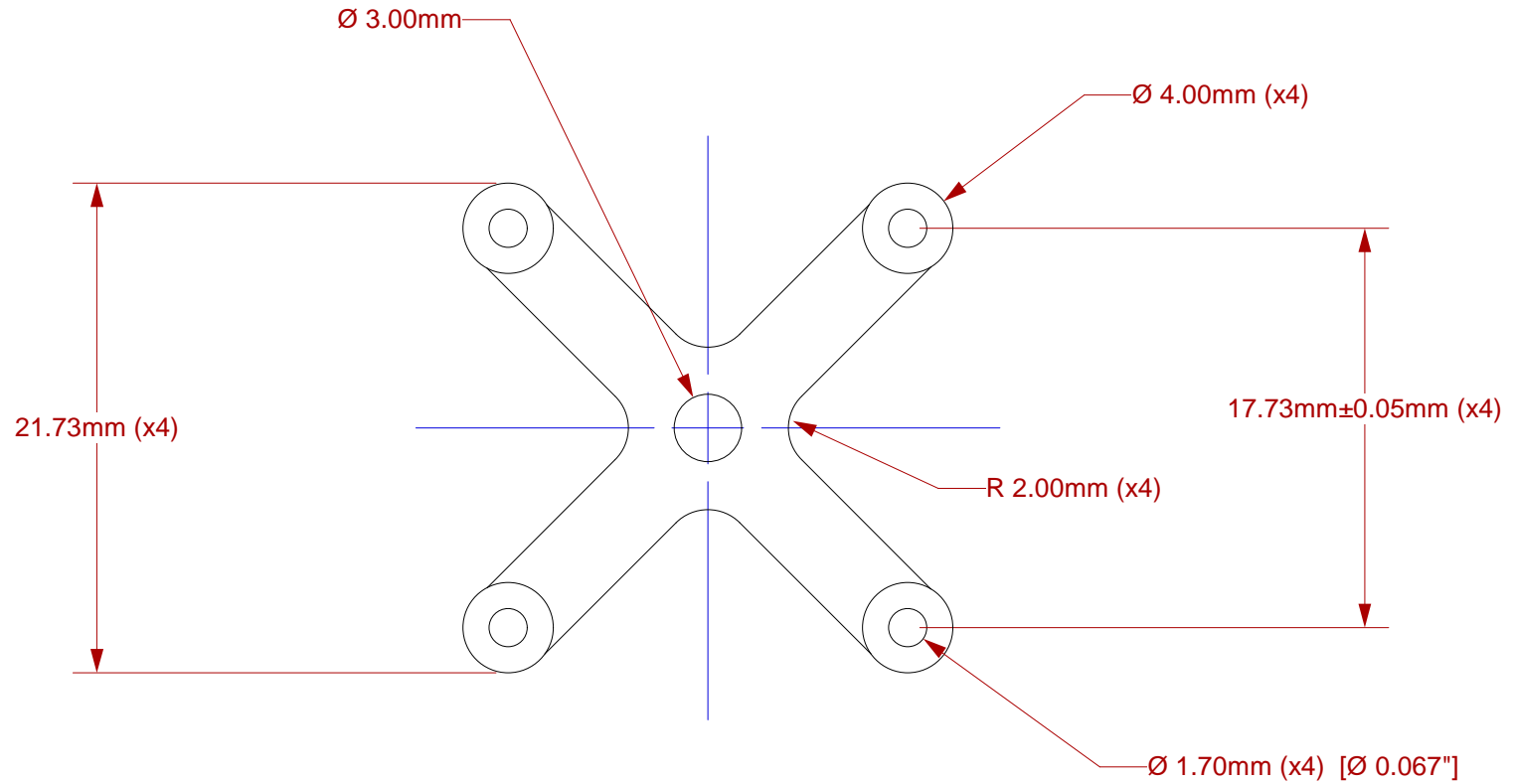


DETAIL "E" (2:1)(10X)

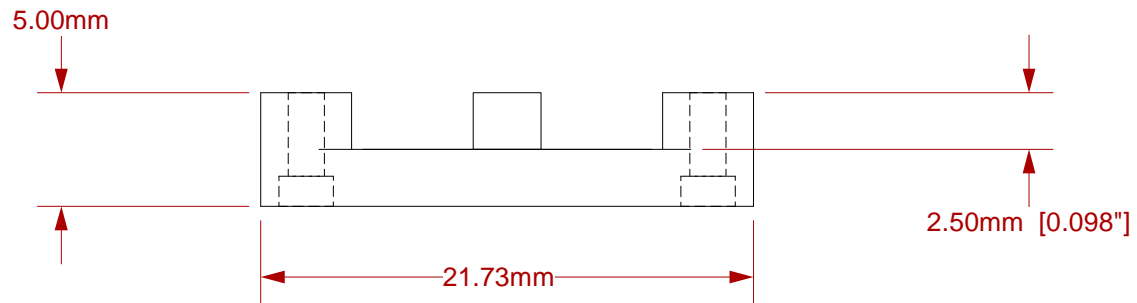
	CG-QFN-7004 Drawing	Status: Released	Scale: 0.16:1	Rev: A
	© 2010 IRONWOOD ELECTRONICS, INC. 11351 Rupp Drive, Suite 400, Burnsville, MN 55337 Tele: (952) 229-8200 www.ironwoodelectronics.com	Drawing: E Smolentseva		Date: 8/24/10
		File: CG-QFN-7004 Dwg	Modified:	

All dimensions are in mm.
 All tolerances are +/- 0.125mm.
 (Unless stated otherwise)


Top View



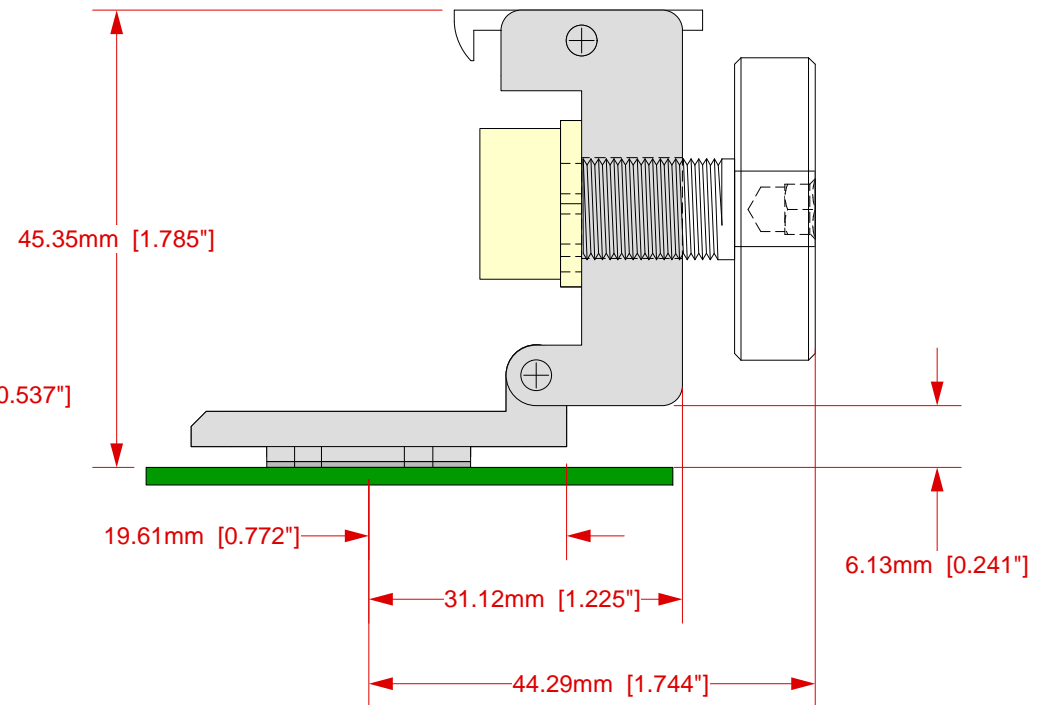
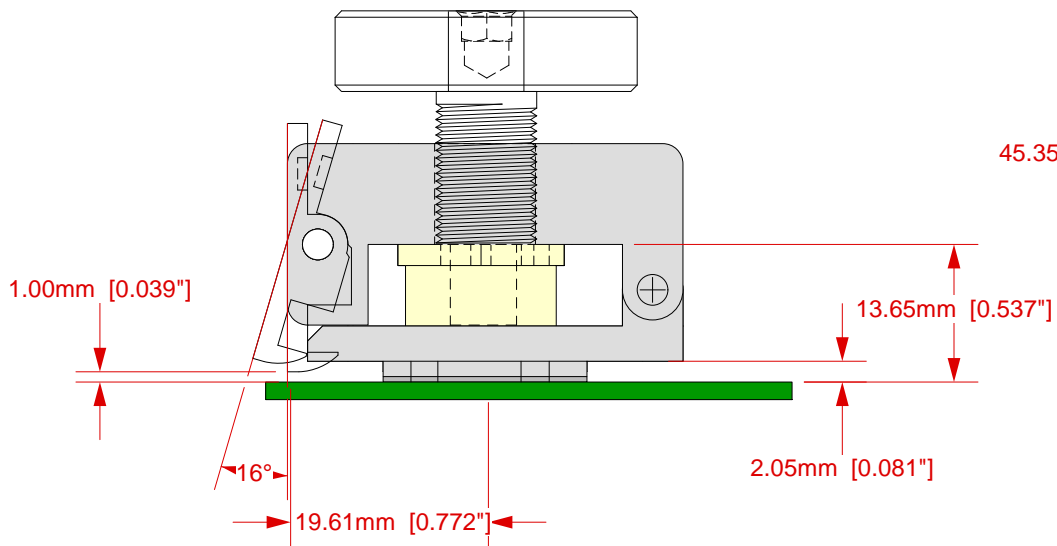
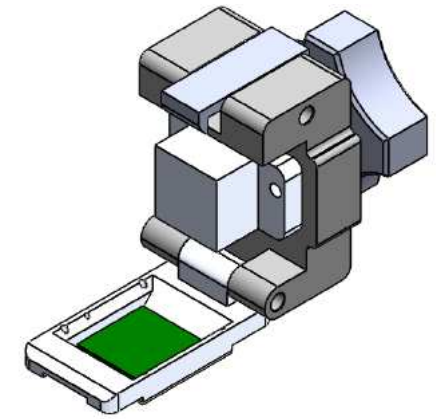
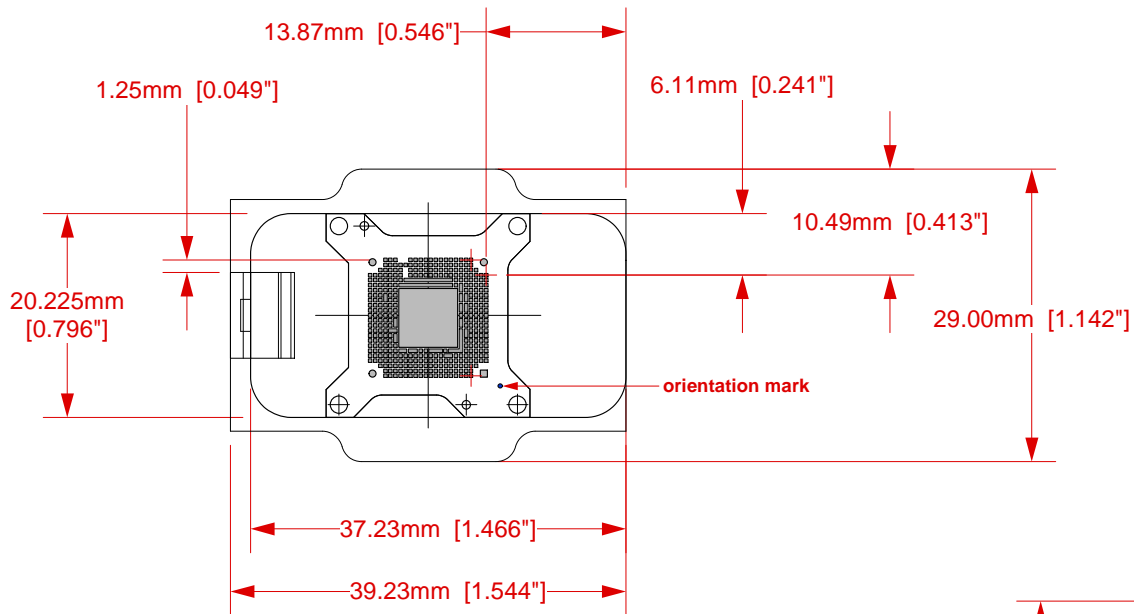
Side View




Description: Backing Plate

	CG-QFN-7004 Drawing	Status: Released	Scale: 0.16:1	Rev: A
	© 2010 IRONWOOD ELECTRONICS, INC. 11351 Rupp Drive, Suite 400, Burnsville, MN 55337 Tele: (952) 229-8200 www.ironwoodelectronics.com	Drawing: E Smolentseva		Date: 8/24/10
		File: CG-QFN-7004 Dwg	Modified:	

All dimensions are in mm.
All tolerances are $\pm 0.125\text{mm}$.
(Unless stated otherwise)



Description: Keep out area information

	CG-QFN-7004 Drawing	Status: Released	Scale: 0.16:1	Rev: A
	© 2010 IRONWOOD ELECTRONICS, INC. 11351 Rupp Drive, Suite 400, Burnsville, MN 55337 Tele: (952) 229-8200 www.ironwoodelectronics.com	Drawing: E Smolentseva		Date: 8/24/10
		File: CG-QFN-7004 Dwg	Modified:	

All dimensions are in mm.
All tolerances are +/- 0.125mm.
(Unless stated otherwise)