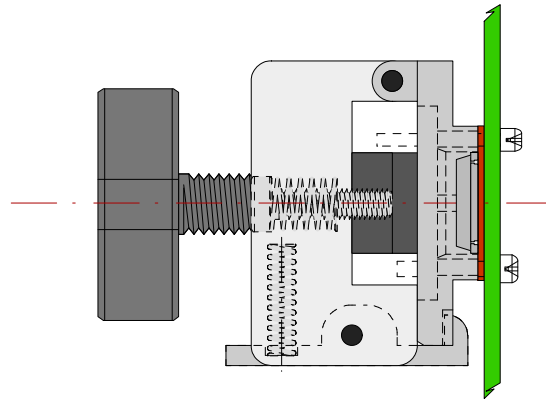
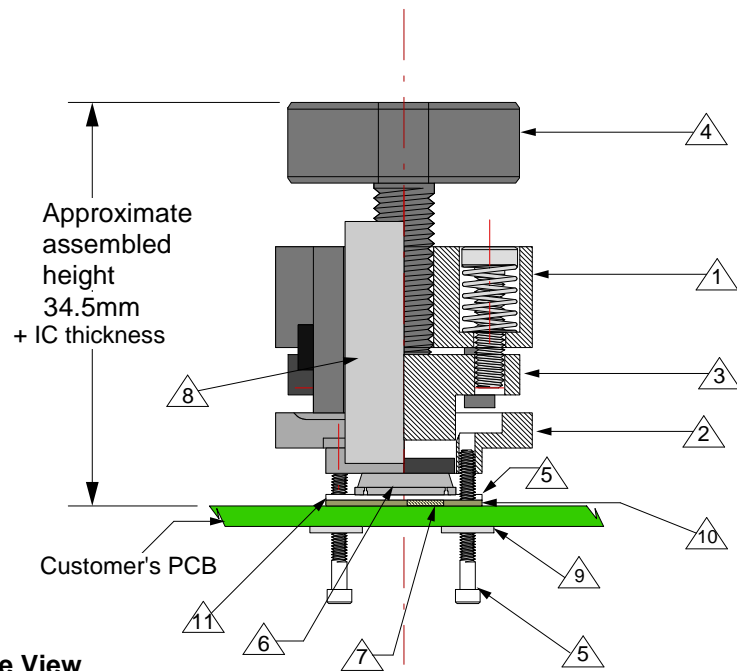


Top View



End View




Side View
(Section AA)

Features

- Directly mounts to target PCB (needs tooling holes) with hardware
- Minimum real estate required
- Compression plate distributes forces evenly
- Clamshell lid

Materials:

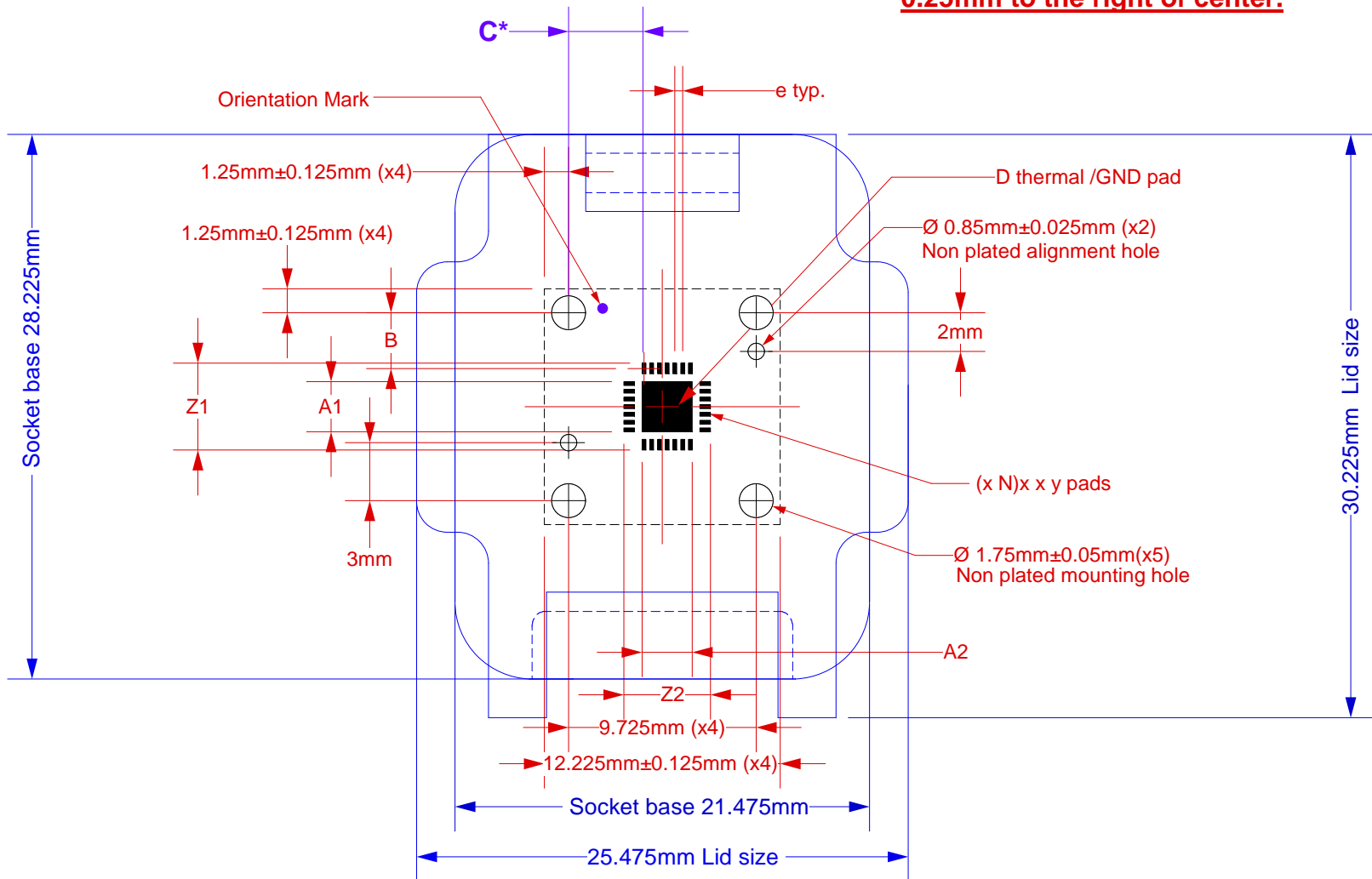
- 1 Clam Shell Lid: Black anodized Aluminum.
Height = 16.5 mm.
- 2 Socket Base: Black anodized Aluminum.
Height = 6 mm.
- 3 Compression Plate: Black anodized Aluminum.
Thickness = 8.5 mm.
- 4 Compression Screw: Clear anodized Aluminum.
Height = 25 mm, Fluted Knob
- 5 Socket Base Screw: Socket Head Cap Screw, alloy steel with black oxide finish, 0-80 Thread, 3/8" long.
- 6 Customer's QFN IC
- 7 Elastomer: 20 micron dia gold plated brass filaments arranged symmetrically in a silicone rubber (63.5 degree angle).
Thickness = 0.5mm.
- 8 Latch: Black anodized Aluminum.
- 9 Nylon washer: 1.73mm ID; 4.78mm OD
0.64mm thickness.
- 10 Elastomer Guide: Non-clad FR4.
Thickness = 0.475mm.
- 11 IC Guide: Torlon
Thickness = 0.45mm.

| | | | | |
|---|--|---------------------------|------------------------|---------------|
|  | CG-QFN-7005 Drawing | Status: Released | Scale: - | Rev: B |
| | © 2011 IRONWOOD ELECTRONICS, INC. Tele: (800) 404-0204 www.ironwoodelectronics.com | Drawing: E Smolentseva | | Date: 2/24/11 |
| | | File: CG-QFN-7005 Dwg.mcd | Modified: 05/28/14, DH | |

All tolerances: ±0.125mm (unless stated otherwise). Materials and specifications are subject to change without notice.

**Recommended PCB
Layout Top View**

***Note: QFN pattern is not symmetrical with respect to the mounting holes. It is offset 0.25mm to the right of center.**




Target PCB Recommendations

Total thickness: 1.6mm min.
Plating: Gold or Solder finish
PCB Pad height: Same or higher than solder mask

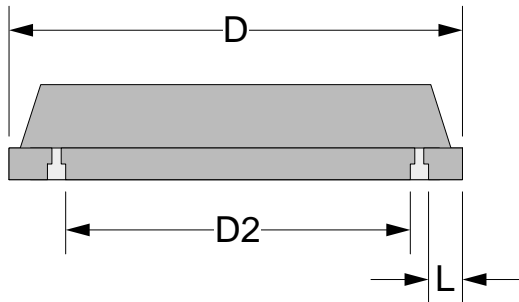
Recommended PCB Layout Tolerances: ±0.025mm unless stated otherwise.

All dimensions are in mm.

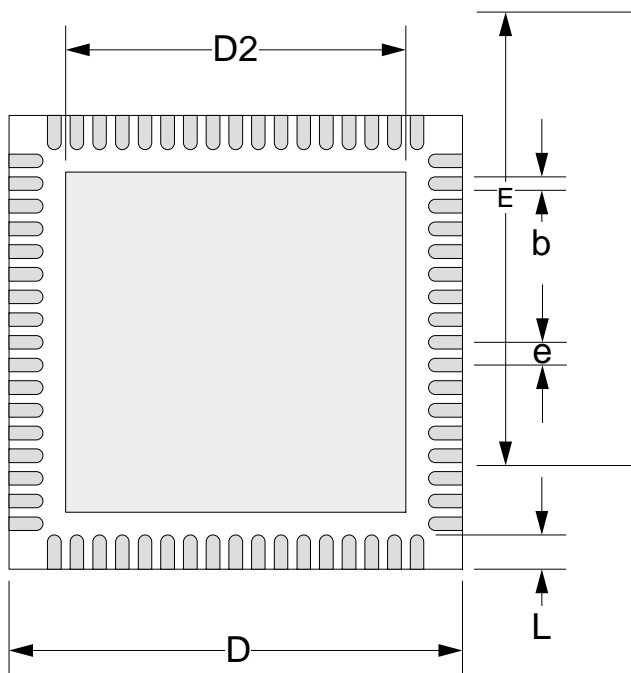
NOTE: Steel backing plate may be required based on end user's application


| | | | | |
|---|--|---------------------------|------------------------|---------------|
|  | CG-QFN-7005 Drawing | Status: Released | Scale: - | Rev: B |
| | © 2011 IRONWOOD ELECTRONICS, INC. Tele: (800) 404-0204 www.ironwoodelectronics.com | Drawing: E Smolentseva | | Date: 2/24/11 |
| | | File: CG-QFN-7005 Dwg.mcd | Modified: 05/28/14, DH | |

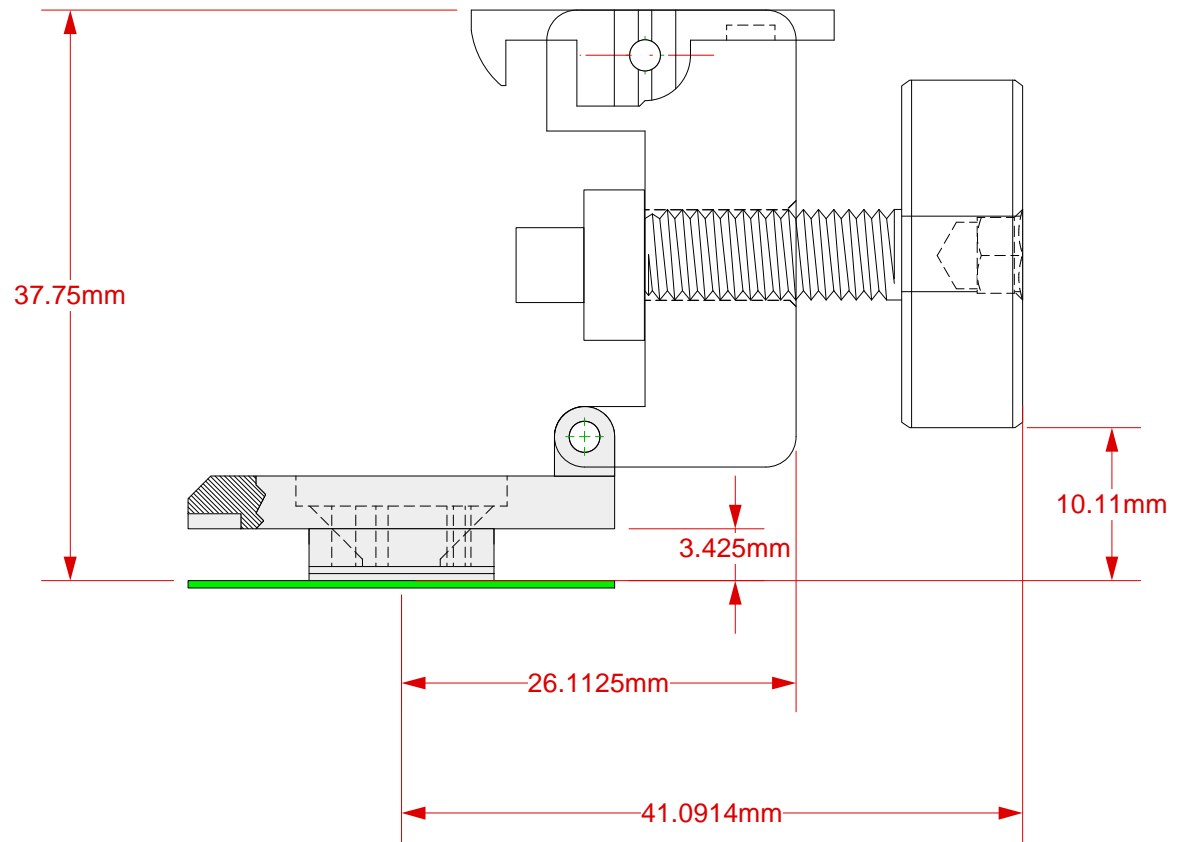
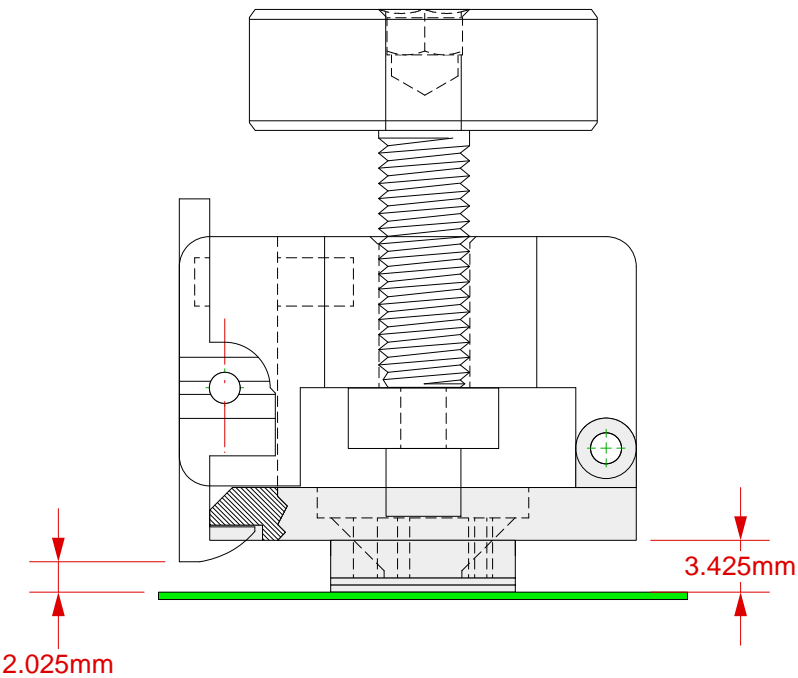
| Package Code | C | B | Z1max | A1max | Z2max | A2 max | e | Xmax | Yref | N | Thermal Pad Recommendations |
|--------------|-------|-------|-------|-------|-------|--------|-----|------|------|----|-----------------------------|
| QFN24C | 3.863 | 3.028 | 4.36 | 2.78 | 4.36 | 2.78 | 0.5 | 0.28 | 0.69 | 24 | 2.58.x 2.58 |
| QFN28D | 3.913 | 2.888 | 4.5 | 2.6 | 4.5 | 2.6 | 0.4 | 0.2 | 0.55 | 28 | 2.6.x 2.6 |




| Package Code | e | D min | D max | E min | E max | b min | b max | L min | L max | D2 | N |
|--------------|-----|-------|-------|-------|-------|-------|-------|-------|-------|-----|----|
| QFN24C | 0.5 | 3.85 | 4.15 | 3.85 | 4.15 | 0.18 | 0.3 | 0.3 | 0.5 | 2.5 | 24 |
| QFN28D | 0.4 | 3.95 | 4.05 | 3.95 | 4.05 | 0.18 | 0.28 | 0.38 | 0.48 | 2.6 | 28 |



| | | | | |
|---|--|---------------------------|----------|------------------------|
|  | CG-QFN-7005 Drawing © 2011 IRONWOOD ELECTRONICS, INC. Tele: (800) 404-0204 www.ironwoodelectronics.com | Status: Released | Scale: - | Rev: B |
| | | Drawing: E Smolentseva | | Date: 2/24/11 |
| | | File: CG-QFN-7005 Dwg.mcd | | Modified: 05/28/14, DH |



Description: Keep out area information

| | | | | |
|---|--|---------------------------|------------------------|---------------|
|  | CG-QFN-7005 Drawing | Status: Released | Scale: - | Rev: B |
| | © 2011 IRONWOOD ELECTRONICS, INC. Tele: (800) 404-0204 www.ironwoodelectronics.com | Drawing: E Smolentseva | | Date: 2/24/11 |
| | | File: CG-QFN-7005 Dwg.mcd | Modified: 05/28/14, DH | |