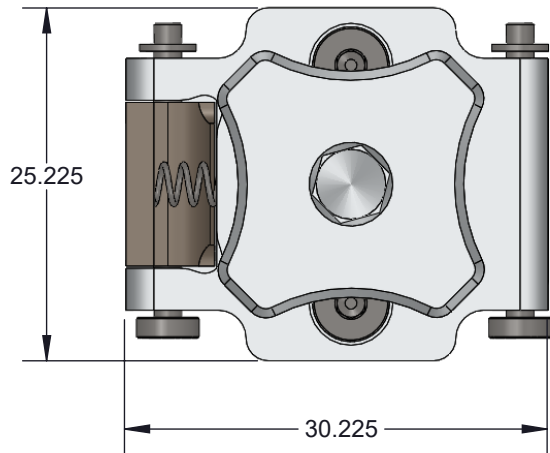


# GHz QFN Socket - Direct mount, solderless

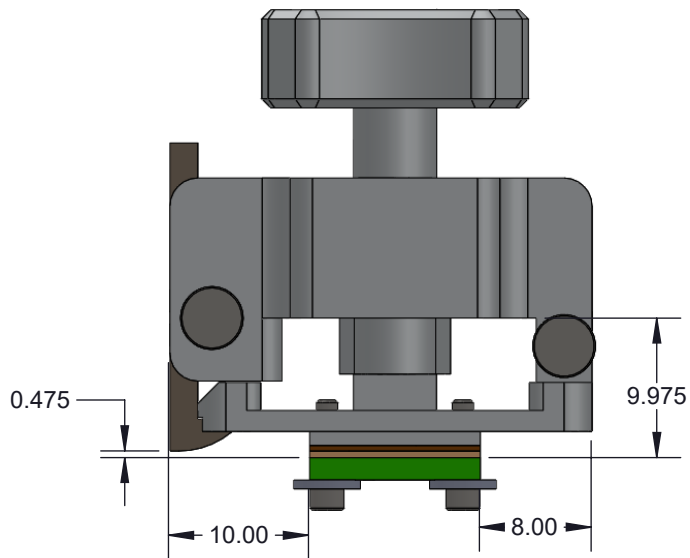
## Features

- Directly mounts to target PCB (needs tooling holes) with hardware
- High speed, reliable Elastomer connection
- Minimum real estate required
- Compression plate distributes forces evenly
- Hinged clamshell socket lid

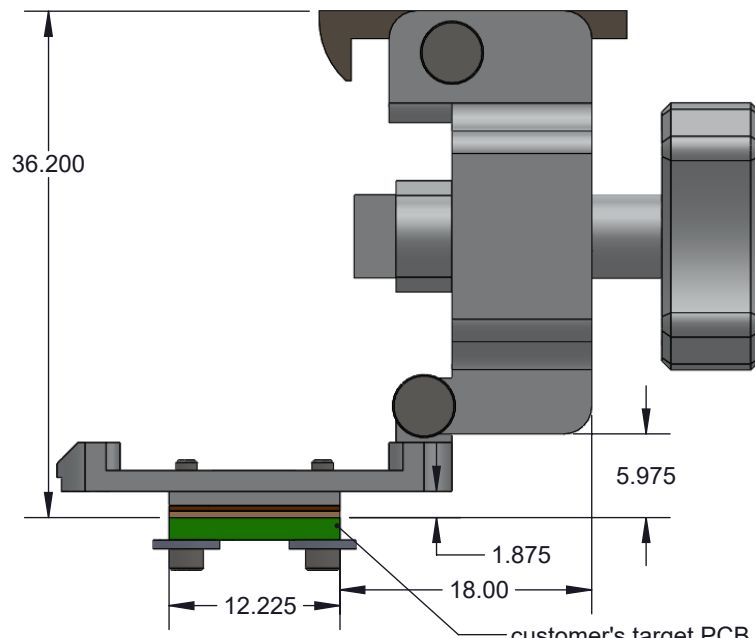


TOP VIEW

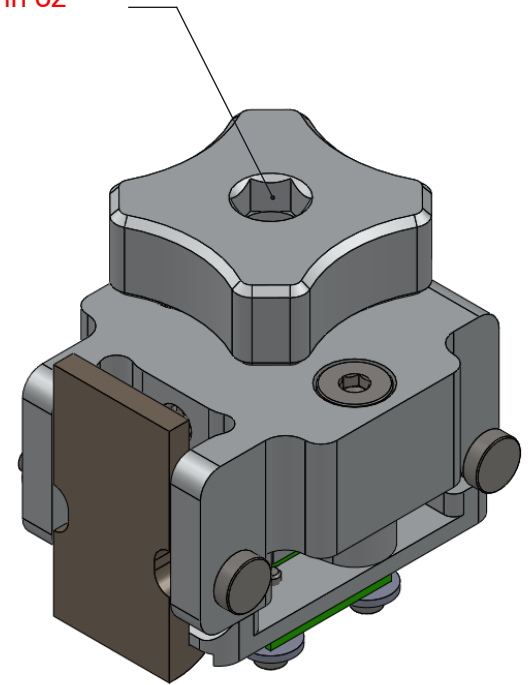
Recommended Torque = 6 in oz



SIDE VIEW




SIDE VIEW



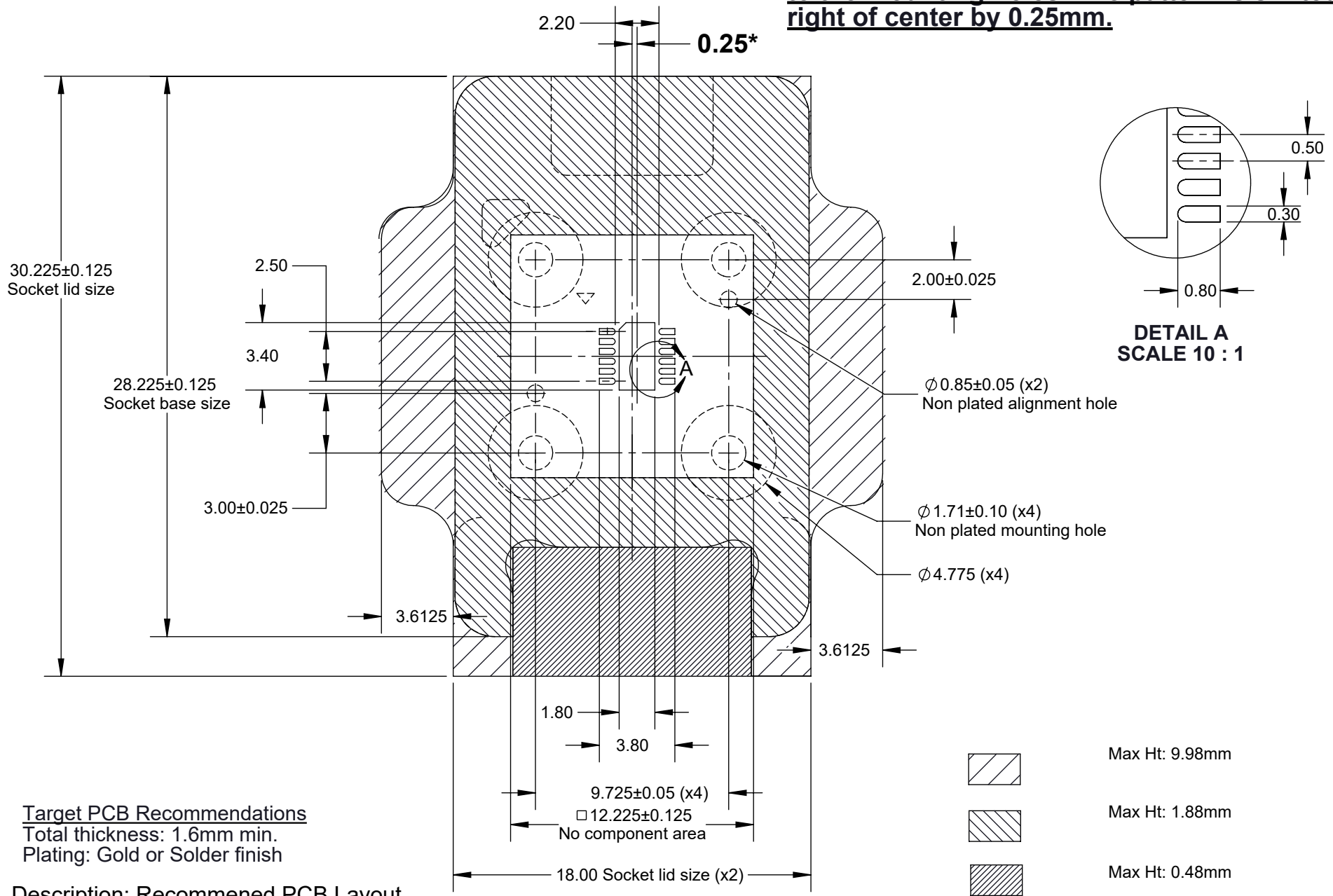
## Description: CG-QFN 3x4mm 0.5mm pitch QFN12

Primary dimension units are millimeters, Secondary dimension units are [inches], Weight is in grams.

Tolerances: Hole diameters  $\pm 0.03\text{mm}$  [ $\pm 0.001"$ ], Pitches (from true position)  $\pm 0.025\text{mm}$  [ $\pm 0.001"$ ], substrate thickness tolerance  $\pm 10\%$ , all other tolerances  $\pm 0.13\text{mm}$  [ $\pm 0.005"$ ] unless stated otherwise. Materials and specifications are subject to change without notice.

 <p>CG-QFN-7011 Drawing</p> <p>Ironwood Electronics, Inc. Tele: (800) 404-0204 www.ironwoodelectronics.com</p>	<p>Material: N/A Finish: N/A Weight: 33.26</p>	STATUS: Released	SHEET: 1 OF 4	REV. B
		ENG: E. Smolentseva	DRAWN BY: M. Raske	SCALE: 1.85:1
		FILE: CG-QFN-7011 Dwg	DATE: 12/22/2014	


**\*Note: QFN pattern is not symmetrical with respect to the mounting holes. The pattern is shifted to the right of center by 0.25mm.**



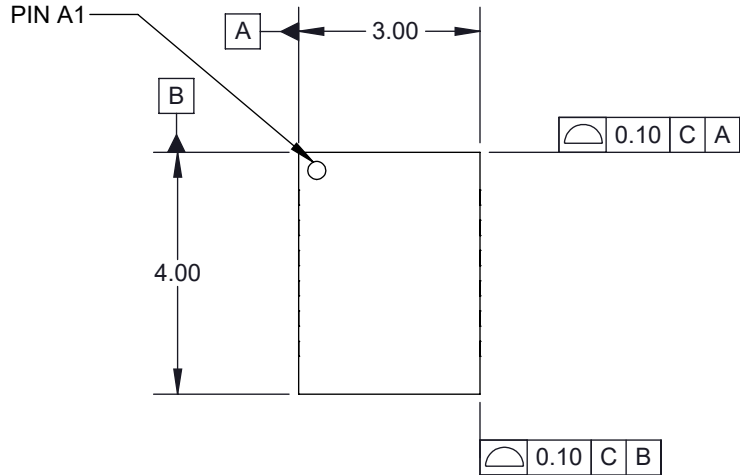
**Target PCB Recommendations**  
 Total thickness: 1.6mm min.  
 Plating: Gold or Solder finish

**Description: Recommended PCB Layout**

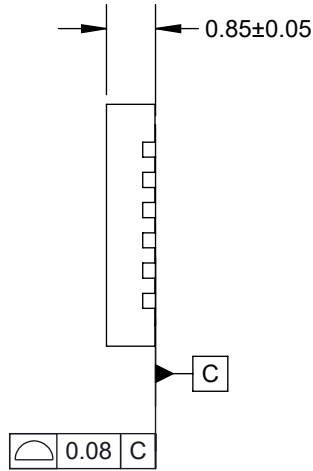
Primary dimension units are millimeters, Secondary dimension units are [inches], Weight is in grams.  
 Tolerances: Hole diameters ±0.03mm [±0.001"], Pitches (from true position) ±0.025mm [±0.001"], substrate thickness tolerance ±10%, all other tolerances ±0.13mm [±0.005"] unless stated otherwise. Materials and specifications are subject to change without notice.

 <b>CG-QFN-7011 Drawing</b> Ironwood Electronics, Inc. Tele: (800) 404-0204 www.ironwoodelectronics.com	Material: N/A Finish: N/A Weight: 33.26	STATUS: Released ENG: E. Smolentseva FILE: CG-QFN-7011 Dwg	SHEET: 2 OF 4 DRAWN BY: M. Raske DATE: 12/22/2014	REV. B SCALE: 3.75:1

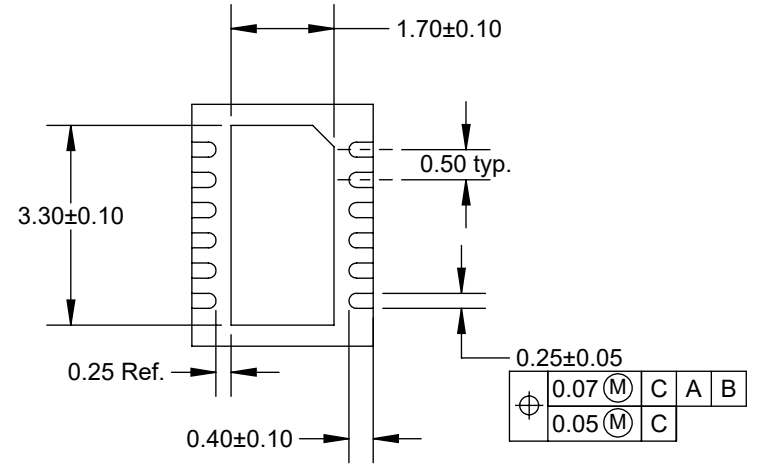
Package code: QFN12K



TOP VIEW



SIDE VIEW




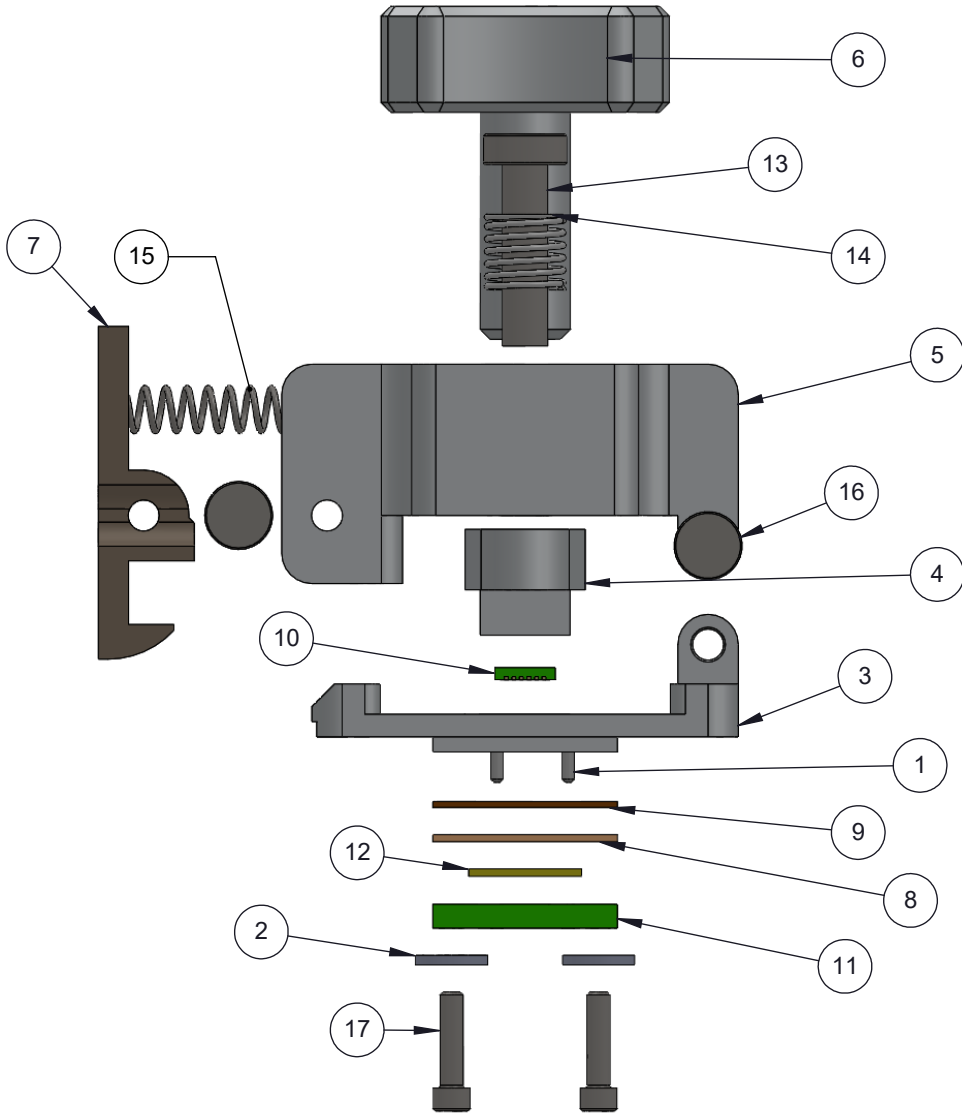
BOTTOM VIEW

**Description: Compatible QFN**

Primary dimension units are millimeters, Secondary dimension units are [inches], Weight is in grams.

Tolerances: Hole diameters  $\pm 0.03\text{mm}$  [ $\pm 0.001''$ ], Pitches (from true position)  $\pm 0.025\text{mm}$  [ $\pm 0.001''$ ], substrate thickness tolerance  $\pm 10\%$ , all other tolerances  $\pm 0.13\text{mm}$  [ $\pm 0.005''$ ] unless stated otherwise. Materials and specifications are subject to change without notice.

 <p><b>CG-QFN-7011 Drawing</b> Ironwood Electronics, Inc. Tele: (800) 404-0204 www.ironwoodelectronics.com</p>	<p>Material: N/A Finish: N/A Weight: 33.26</p>	STATUS: Released	SHEET: 3 OF 4	REV. B
		ENG: E. Smolentseva	DRAWN BY: M. Raske	SCALE: 8:1
		FILE: CG-QFN-7011 Dwg	DATE: 12/22/2014	




ITEM NO.	DESCRIPTION	Material
1	Alignment Pin 1/32" dia. x 1/8" lng	Chrome Stainless Steel
2	Washer, #0 x .025", Nylon	Nylon 6/6
3	Socket Base	7075-T6 Aluminum Alloy
4	Compression Plate 6mm sq	7075-T6 Aluminum Alloy
5	Clam Shell Lid	7075-T6 Aluminum Alloy
6	Fluted Knob Compression Screw	7075-T6 Aluminum Alloy
7	Latch, Ni plated	7075-T6 Aluminum Alloy
8	Elastomer Guide 7x7mm	Ultem
9	IC (MLF) Guide	Kapton Polyimide/Cirlex
10	Customer's device	FR4 High temp
11	Customer's target PCB	FR4 High temp
12	0.5mm thick, 0.05x 0.05mm pitch, 50mm sqr, Z-axis conductive angled elastomer	20 Micron dia gold plated brass filaments arranged symetically in a silicon rubber (63.5 degree angle), Thickness: 0.5mm
13	Screw, M3 x 12mm, Low Head Cap, SS	18-8 Stainless Steel
14	Spring Clamshell lid assembly	Steel Music Wire
15	Precision Compression Spring, Zinc-Plated Music Wire, 1/2" Length, .12" OD, .016" Wire	Zinc Plated Music Wire
16	Hinge Pin and Snap Ring, 2mm OD, 19mm long, SS	Stainless Steel (ferritic)
17	#0-80 X .25 LG, SOC HD CAP SCREW, ALLOY STL, BLK OXIDE	Alloy Steel

### Description: Socket Detail

Primary dimension units are millimeters, Secondary dimension units are [inches], Weight is in grams.

Tolerances: Hole diameters  $\pm 0.03\text{mm}$  [ $\pm 0.001"$ ], Pitches (from true position)  $\pm 0.025\text{mm}$  [ $\pm 0.001"$ ], substrate thickness tolerance  $\pm 10\%$ , all other tolerances  $\pm 0.13\text{mm}$  [ $\pm 0.005"$ ] unless stated otherwise. Materials and specifications are subject to change without notice.

Rev	Date	Initials	Description
A	9/3/14	ELS	Original
B	06/15/15	DH	Updated page 1 and 2 to show updated socket width dimension.

 <b>CG-QFN-7011 Drawing</b> Ironwood Electronics, Inc. Tele: (800) 404-0204 www.ironwoodelectronics.com	Material: N/A Finish: N/A Weight: 33.26	STATUS: Released	SHEET: 4 OF 4	REV. B
		ENG: E. Smolentseva	DRAWN BY: M. Raske	SCALE: 2:1
		FILE: CG-QFN-7011 Dwg	DATE: 12/22/2014	