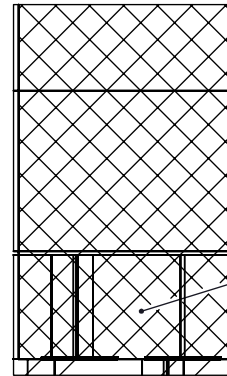
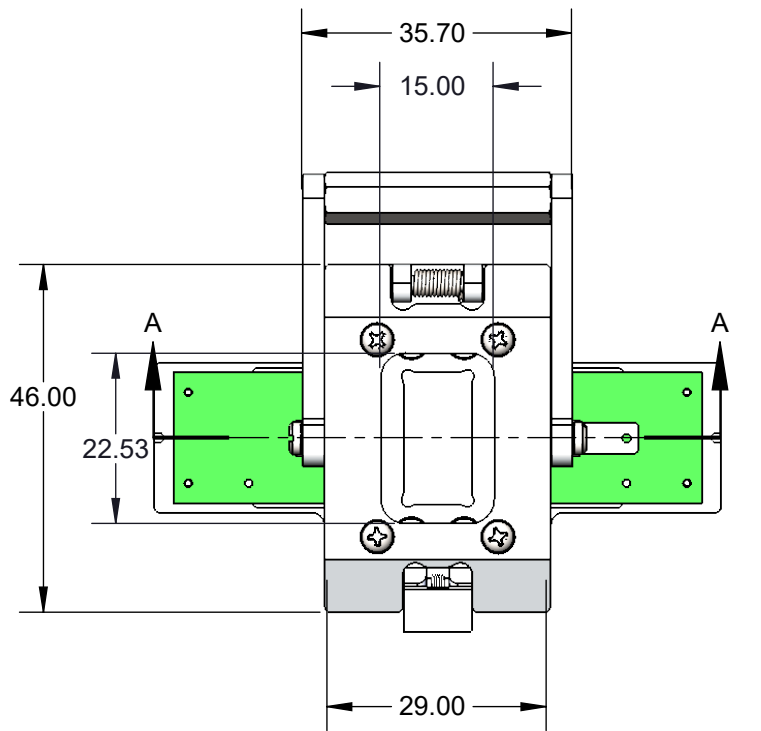
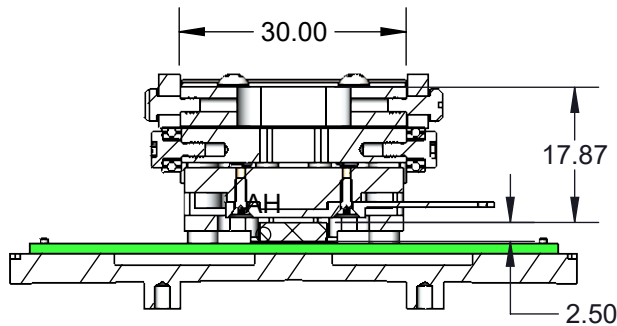
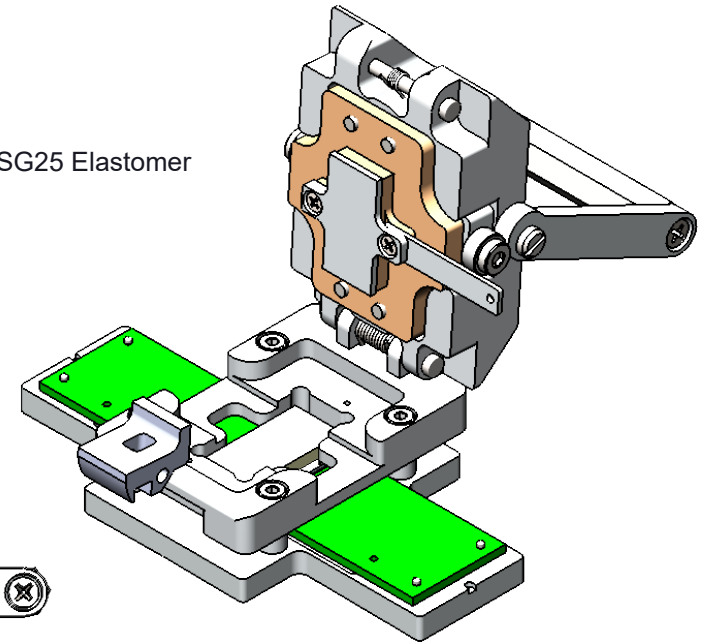


# SG25-LGA DIRECT MOUNT, SOLDERLESS SOCKET FOR BURN-IN AND TEST APPLICATIONS

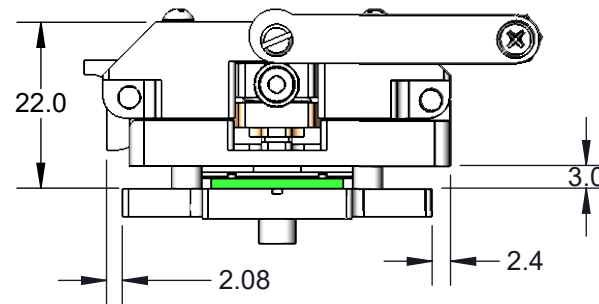
- Wide temperature range (-35C to +100C).
- High current capability (up to 4A).
- Excellent signal integrity at high frequencies.
- Low and stable contact resistance for reliable production yield.



DETAIL AH  
SCALE 25 : 1




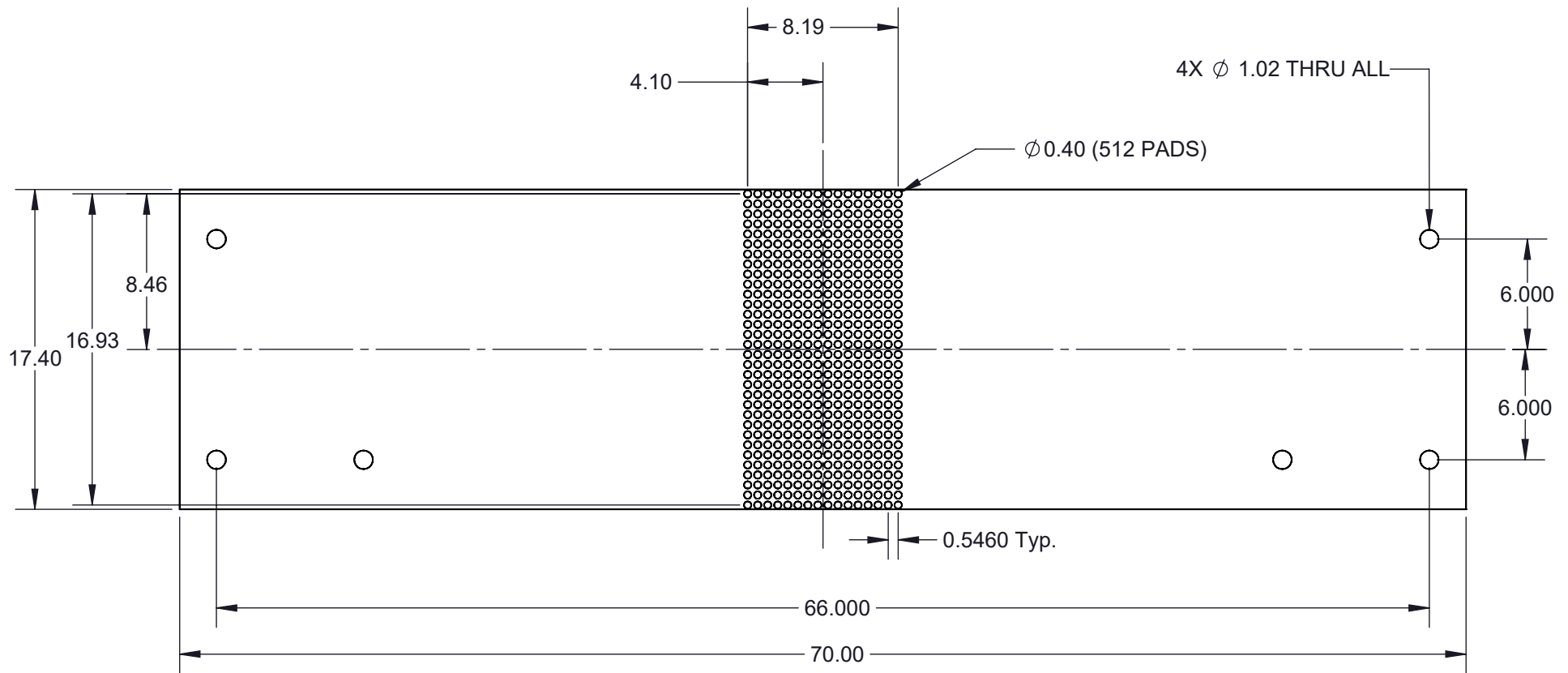
SECTION A-A



**Description:** GT Elastomer LGA512 17.422x8.836mm 0.546mm pitch clamshell, open top

Primary dimension units are millimeters, Secondary dimension units are [inches], Weight is in grams.  
**Tolerances:** Hole diameters  $\pm 0.03\text{mm}$  [ $\pm 0.001"$ ], Pitches (from true position)  $\pm 0.025\text{mm}$  [ $\pm 0.001"$ ], substrate thickness tolerance  $\pm 10\%$ , all other tolerances  $\pm 0.13\text{mm}$  [ $\pm 0.005"$ ] unless stated otherwise. Materials and specifications are subject to change without notice.

 <p><b>CG25-LGA-2000 Drawing</b>                  Ironwood Electronics, Inc.                  Tele: (800) 404-0204                  www.ironwoodelectronics.com</p>	Material: Material <not specified> Finish: Weight: 80.80	STATUS: Released ENG: J. Vavra FILE: CG25-LGA-2000Dwg	SHEET: 1 OF 7 DRAWN BY: M. Raske DATE: 12/20/2016	REV. A SCALE: 1:1




Target PCB Recommendations  
 Total thickness: 1.6mm  $\pm$  10%  
 Pads: Hard Gold, ENIPIG,  
 RoHS HASL  
 Hard Gold spec:  
 50 Micro-Inches Gold over  
 200 Micro -Inches Nickel over  
 1/2-1 Oz copper  
 PCB Pad height: No Solder  
 mask or 0.001" mask  
 thickness is acceptable.  
 Copper defined solder mask  
 and SMBOC is recommended

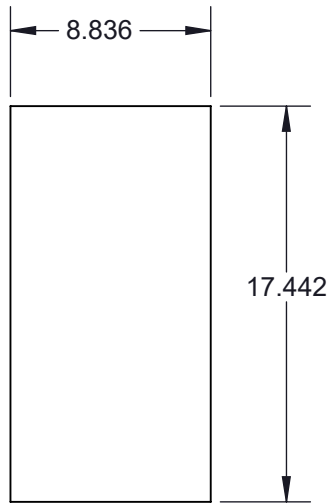
## Description: Recommended PCB Layout

Primary dimension units are millimeters, Secondary dimension units are [inches], Weight is in grams.

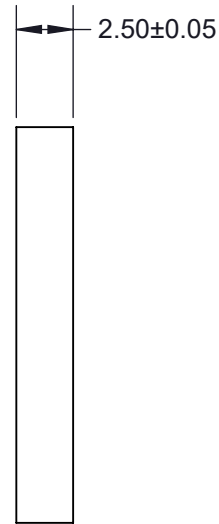
Tolerances: Hole diameters  $\pm 0.03\text{mm}$  [ $\pm 0.001"$ ], Pitches (from true position)  $\pm 0.025\text{mm}$  [ $\pm 0.001"$ ], substrate thickness tolerance  $\pm 10\%$ , all other tolerances  $\pm 0.13\text{mm}$  [ $\pm 0.005"$ ] unless stated otherwise. Materials and specifications are subject to change without notice.

 <b>CG25-LGA-2000 Drawing</b> Ironwood Electronics, Inc. Tele: (800) 404-0204 www.ironwoodelectronics.com	Material: Material <not specified> Finish: Weight: 80.80	STATUS: Released	SHEET: 2 OF 7	REV. A
		ENG: J. Vavra	DRAWN BY: M. Raske	SCALE: 3:1
		FILE: CG25-LGA-2000Dwg	DATE: 12/20/2016	

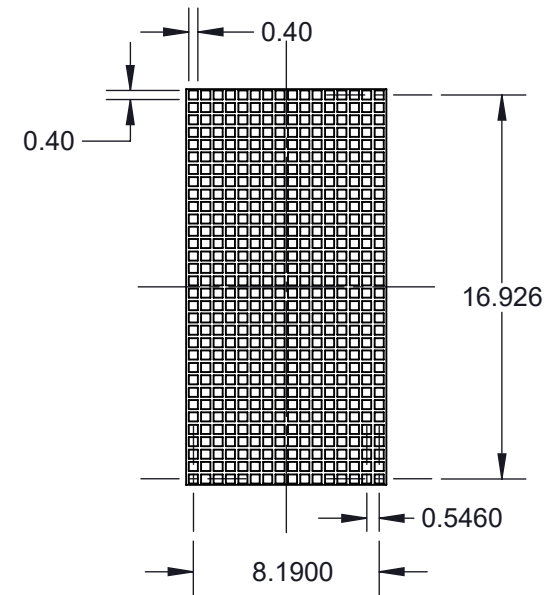
# Ironwood package code: LGA512A



Top view



Side view




Bottom view

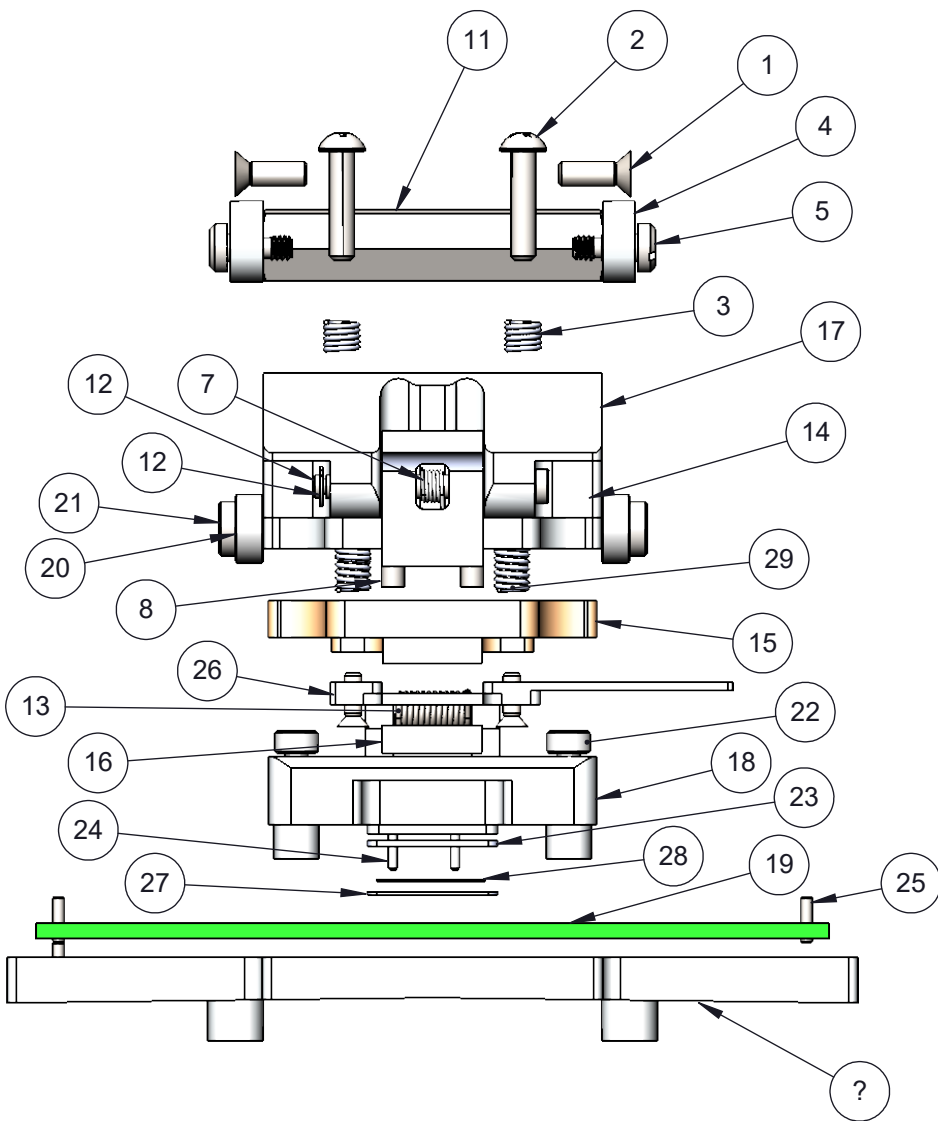
1. Dimensions are in millimeters.
2. Interpret dimensions and tolerances per ASME Y14.5M-1994.

## Description: Compatible package

Primary dimension units are millimeters, Secondary dimension units are [inches], Weight is in grams.

**Tolerances:** Hole diameters  $\pm 0.03\text{mm}$  [ $\pm 0.001''$ ], Pitches (from true position)  $\pm 0.025\text{mm}$  [ $\pm 0.001''$ ], substrate thickness tolerance  $\pm 10\%$ , all other tolerances  $\pm 0.13\text{mm}$  [ $\pm 0.005''$ ] unless stated otherwise. Materials and specifications are subject to change without notice.

 <p><b>CG25-LGA-2000 Drawing</b> Ironwood Electronics, Inc. Tele: (800) 404-0204 www.ironwoodelectronics.com</p>	<p>Material: Material &lt;not specified&gt; Finish: Weight: 80.80</p>	STATUS: Released	SHEET: 3 OF 7	REV. A
		ENG: J. Vavra	DRAWN BY: M. Raske	SCALE: 3:1
		FILE: CG25-LGA-2000Dwg	DATE: 12/20/2016	




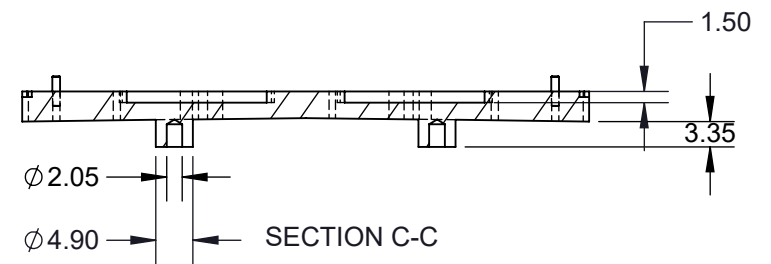
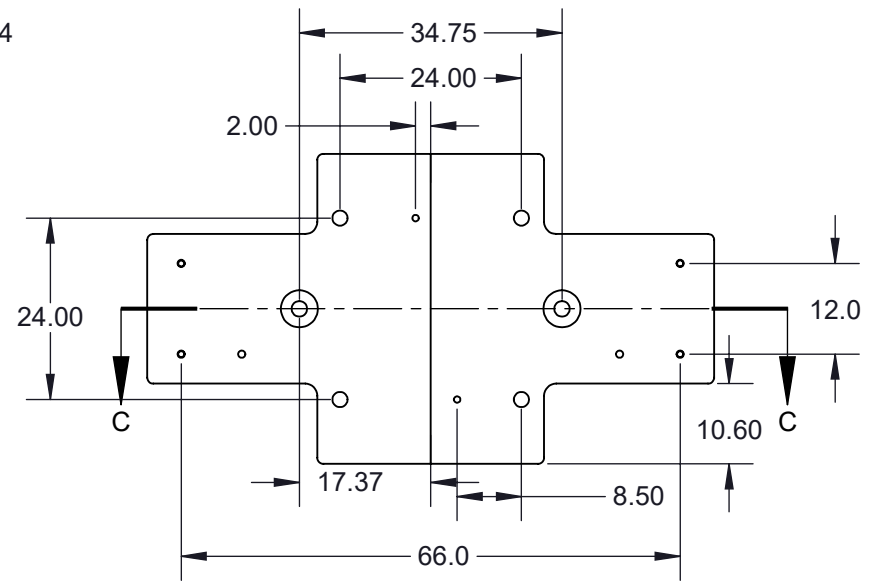
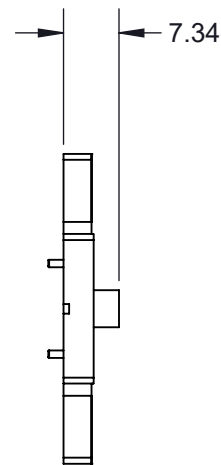
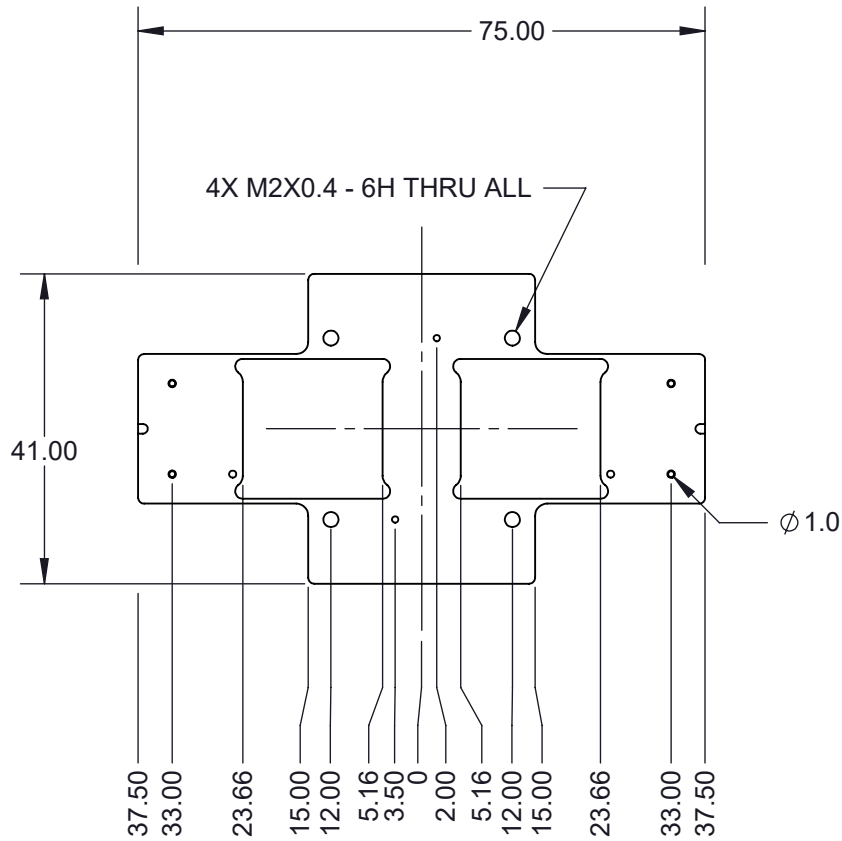
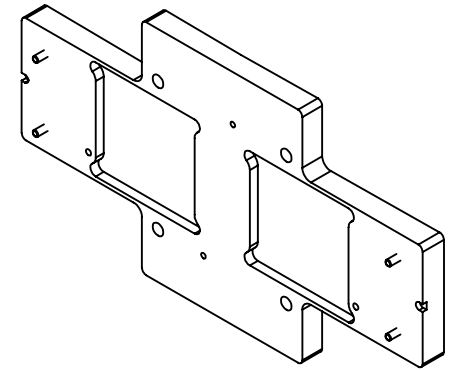
ITEM NO.	Description	Material
1	Lever screw	Steel
2	Lid screw	Steel
3	Lid spring	Steel
4	Cam lever	Steel
5	Cam lever shoulder screw	Steel
6	Latch	7075-T6 Alumium Alloy
7	Compression plate spring.	Steel
8	Compression plate screw	Steel
9	Snap ring	Steel
10	Backing plate LGA512	7075-T6 Aluminum Alloy
11	18-8 SS Female Threaded Hex Standoff 6mm Hex, 30mm Length, M3 Screw Size	Stainless Steel (18-8)
12	2mm diameter Hinge Pin, 20 mm long	Alloy Steel
13	SS Torsion spring 3.5mm OD, 2.06 RD	Stainless Steel
14	Compression plate LGA512 17.422x8.836mm top	7075-T6 Aluminum Alloy
15	Compression plate LGA512 17.422x8.836mm bottom	Torlon 5530
16	Customer's device	CdTe
17	Clamshell Socket Lid 20x15mm	7075-T6 Alumium Alloy
18	GT LGA512 socket base	7075-T6 Alumium Alloy
19	Customer PCB LGA512	FR4 Standard
20	Bearing 3mm shaft, 6mm OD, 2.5mm Width	
21	#2-56 Shoulder Screw, 3/32" shoulder diameter, 3/32" shoulder length	18-8 Stainless Steel
22	Socket Head Cap Screw M2 8mm long	Stainless Steel (316)
23	IC guide 17.422x8.836mm IC	Kapton Polyimide/Cirlex
24	Dowel Pin, 1/32" x 3/16", SS	Chrome Stainless Steel
25	Dowel Pin, M1 x 4mm, STL	Alloy Steel
26	Bottom Drop-in Comp plate LGA512	7075-T6 Aluminum Alloy
27	Elastomer guide 17.422x8.836mm IC	Kapton Polyimide/Cirlex
28	0.5mm thick, 0.05x 0.05mm pitch, 50mm sqr, Z-axis conductive angled elastomer	20 Micron dia gold plated brass filaments arranged symettrically in a silicon rubber (63.5 degree angle), Thickness: 0.5mm
29	302SS Comp. Spring .375" Length, .125" OD, .016" Wire Dia.	Material <not specified>
30	Screw, #0-80 X .188", Flat, SS	Stainless Steel (18-8)

### Description: Socket Spec

Primary dimension units are millimeters, Secondary dimension units are [inches], Weight is in grams.

Tolerances: Hole diameters  $\pm 0.03\text{mm}$  [ $\pm 0.001"$ ], Pitches (from true position)  $\pm 0.025\text{mm}$  [ $\pm 0.001"$ ], substrate thickness tolerance  $\pm 10\%$ , all other tolerances  $\pm 0.13\text{mm}$  [ $\pm 0.005"$ ] unless stated otherwise. Materials and specifications are subject to change without notice.


 <b>CG25-LGA-2000 Drawing</b> Ironwood Electronics, Inc. Tele: (800) 404-0204 www.ironwoodelectronics.com	Material: Material <not specified> Finish: Weight: 80.80	STATUS: Released	SHEET: 4 OF 7	REV. A
		ENG: J. Vavra	DRAWN BY: M. Raske	SCALE: 3:2
		FILE: CG25-LGA-2000Dwg	DATE: 12/20/2016	

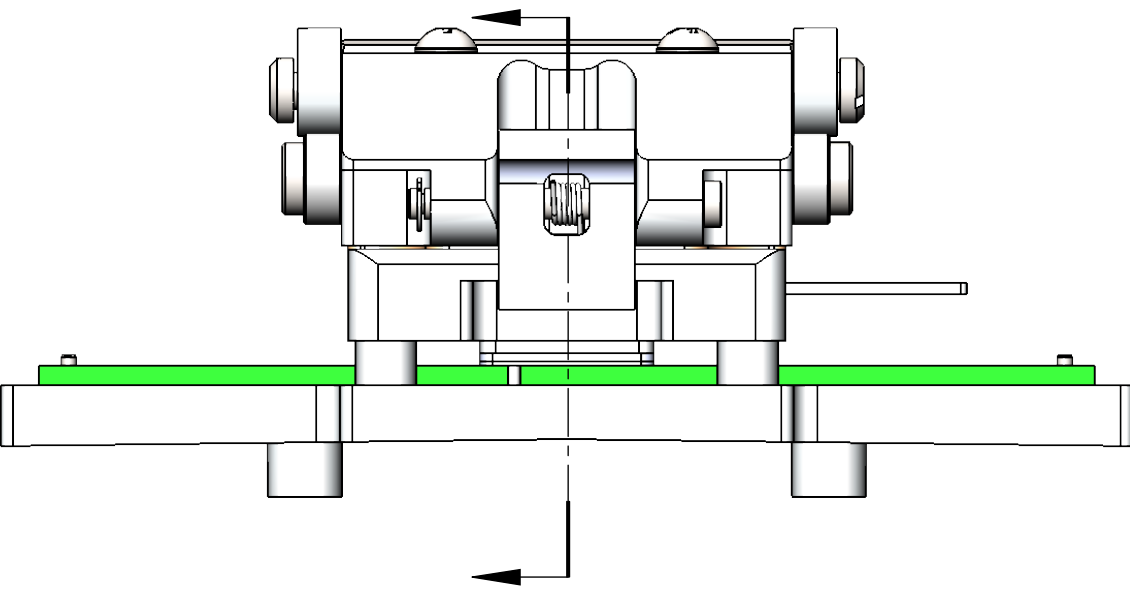


### Description: Backing Plate

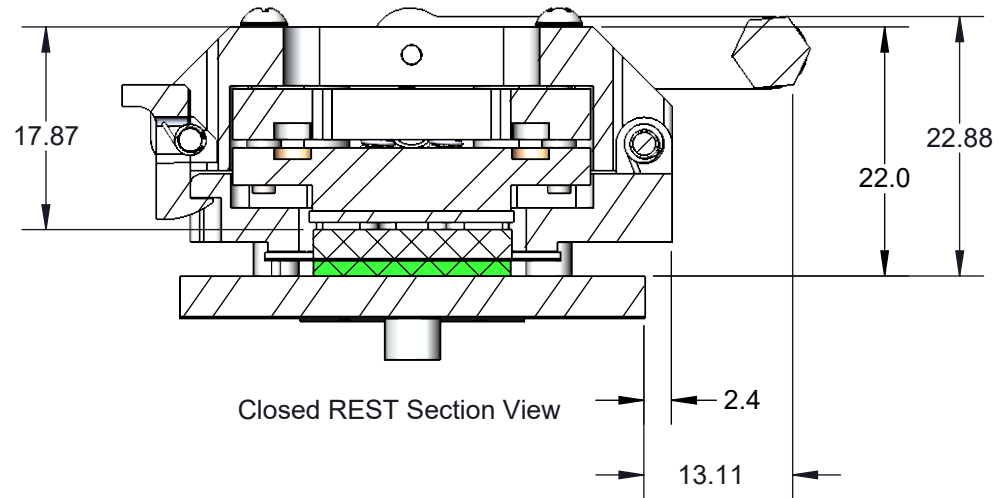
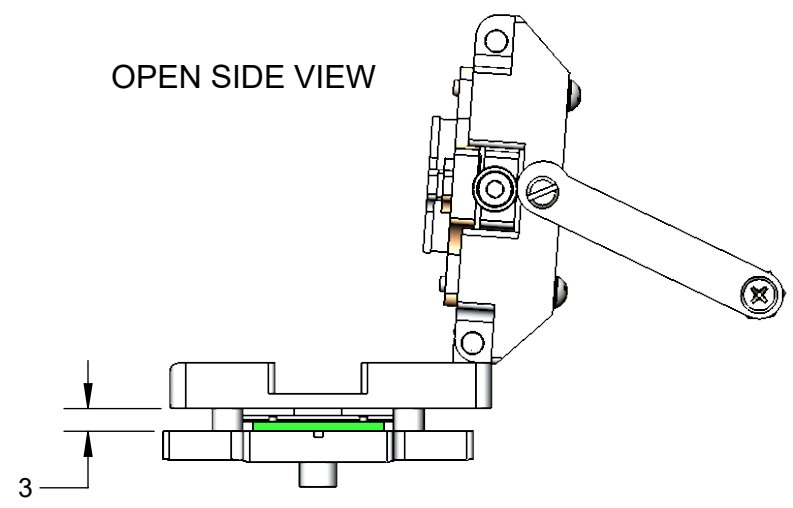
Primary dimension units are millimeters, Secondary dimension units are [inches], Weight is in grams.

Tolerances: Hole diameters  $\pm 0.0254\text{mm}$  [ $\pm 0.001"$ ]. Pitches (from true position)  $\pm 0.0762\text{mm}$  [ $\pm 0.003"$ ], substrate thickness tolerance  $\pm 10\%$ , all other tolerances  $\pm 0.127\text{mm}$  [ $\pm 0.005"$ ] unless stated otherwise. Materials and specifications are subject to change without notice.

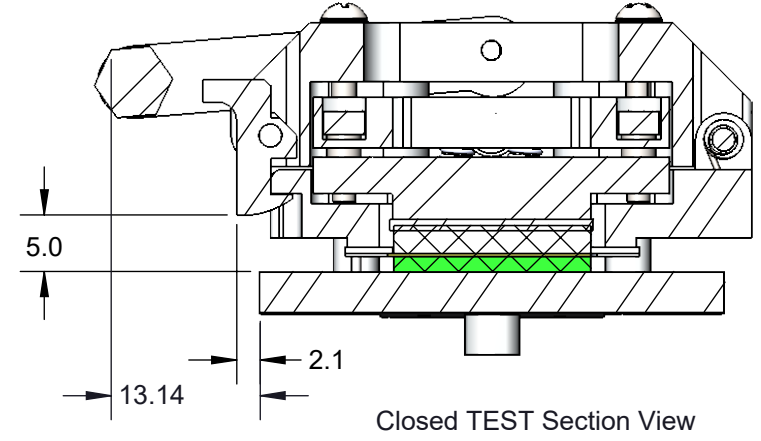
 <p>©2015 Ironwood Electronics, Inc. Tele: (800) 404-0204 www.ironwoodelectronics.com</p>	<p><b>CG25-LGA-2000 Drawing</b></p>	<p>Material: Material &lt;not specified&gt; Finish: Weight: 80.80</p>	<p>STATUS: Released</p>	<p>SHEET: 5 OF 7</p>	<p>REV. A</p>	
			<p>ENG: J. Vavra</p>	<p>DRAWN BY: M. Raske</p>	<p>SCALE: 1:1</p>	
			<p>FILE: CG25-LGA-2000Dwg</p>	<p>DATE: 12/20/2016</p>		



OPEN SIDE VIEW



Closed REST Section View




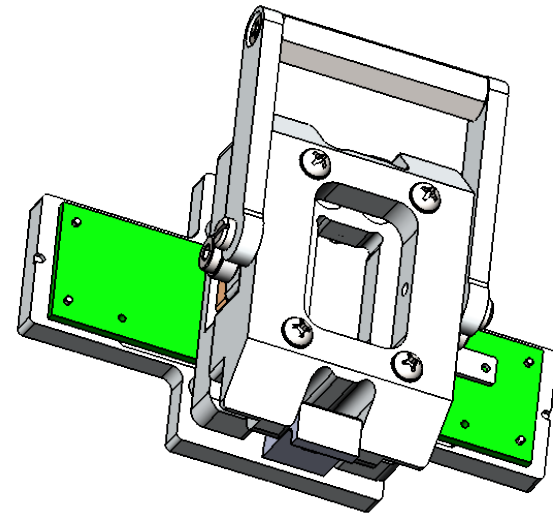
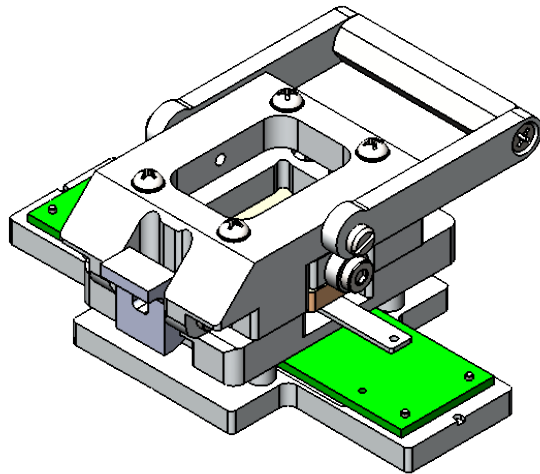
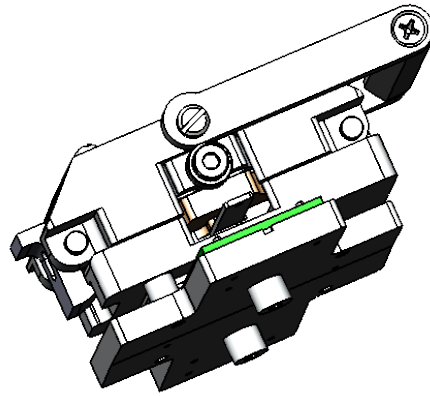
Closed TEST Section View

**Description: Socket Lever**

Primary dimension units are millimeters, Secondary dimension units are [inches], Weight is in grams.  
 Tolerances: Hole diameters  $\pm 0.0254\text{mm}$  [ $\pm 0.001$ "]. Pitches (from true position)  $\pm 0.0762\text{mm}$  [ $\pm 0.003$ "], substrate thickness tolerance  $\pm 10\%$ , all other tolerances  $\pm 0.127\text{mm}$  [ $\pm 0.005$ "] unless stated otherwise. Materials and specifications are subject to change without notice.

Rev	Date	Initials	Description
A	12/18/15	VP	Original


 <b>CG25-LGA-2000 Drawing</b> ©2015 Ironwood Electronics, Inc. Tele: (800) 404-0204 www.ironwoodelectronics.com	Material: Material <not specified> Finish: Weight: 80.80	STATUS: Released	SHEET: 6 OF 7	REV. A
		ENG: J. Vavra	DRAWN BY: M. Raske	SCALE: 3:2
		FILE: CG25-LGA-2000Dwg	DATE: 12/20/2016	



### Description: Socket ISO Views

Primary dimension units are millimeters, Secondary dimension units are [inches], Weight is in grams.

Tolerances: Hole diameters  $\pm 0.0254\text{mm}$  [ $\pm 0.001"$ ], Pitches (from true position)  $\pm 0.0762\text{mm}$  [ $\pm 0.003"$ ], substrate thickness tolerance  $\pm 10\%$ , all other tolerances  $\pm 0.127\text{mm}$  [ $\pm 0.005"$ ] unless stated otherwise. Materials and specifications are subject to change without notice.

 <p><b>CG25-LGA-2000 Drawing</b>          ©2015 Ironwood Electronics, Inc.          Tele: (800) 404-0204          www.ironwoodelectronics.com</p>	<p>Material: Material &lt;not specified&gt;          Finish:          Weight: 80.80</p>	<p>STATUS: Released          ENG: J. Vavra          FILE: CG25-LGA-2000Dwg</p>	<p>SHEET: 7 OF 7          DRAWN BY: M. Raske          DATE: 12/20/2016</p>	<p>REV. A          SCALE: 1:1</p>
---	---	--	--	---------------------------------------