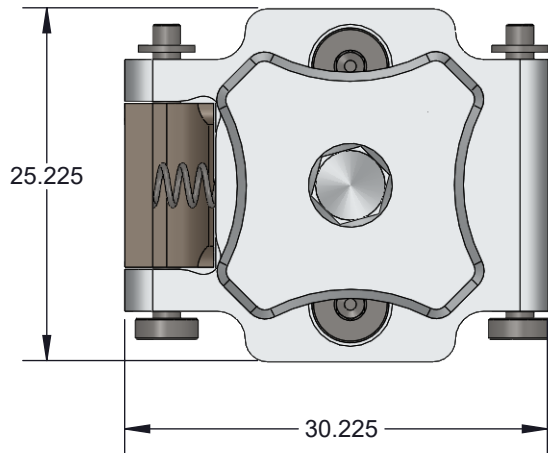


# GHz QFN Socket - Direct mount, solderless

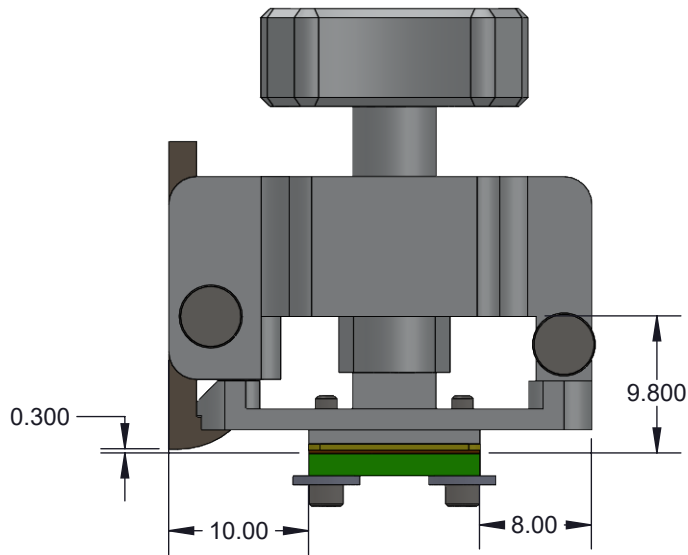
## Features

- Directly mounts to target PCB (needs tooling holes) with hardware
- High speed, reliable Elastomer connection
- Minimum real estate required
- Compression plate distributes forces evenly
- Hinged clamshell socket lid

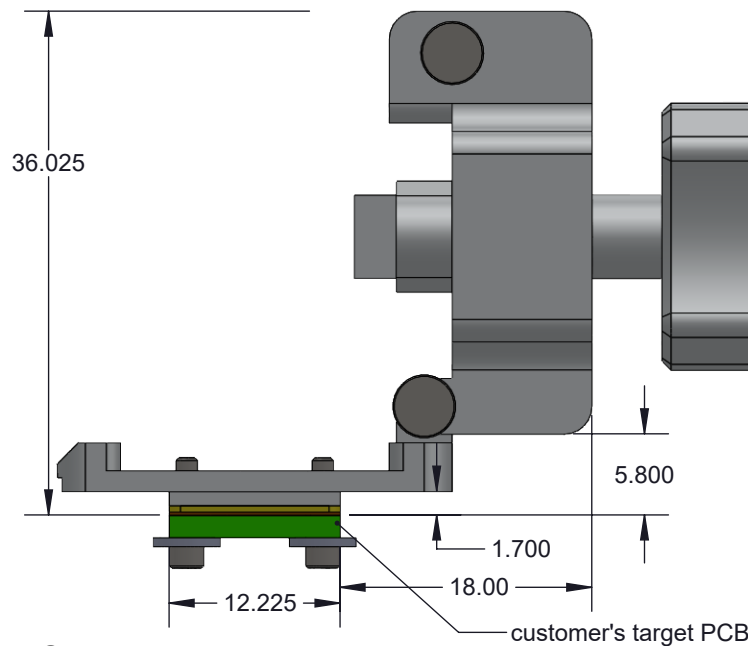


TOP VIEW

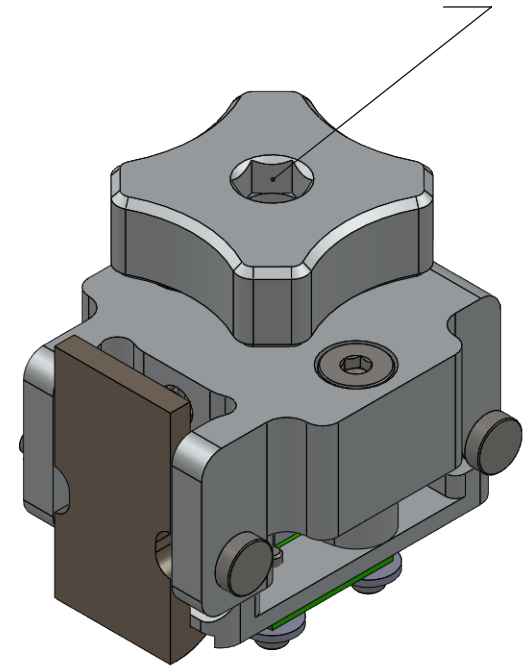
**REQUIRED TORQUE = 4.23 N-cm [6 IN OZ]**  
**RECOMMENDED TOOL = TL-TORQUEDRIVER-09**



SIDE VIEW




SIDE VIEW

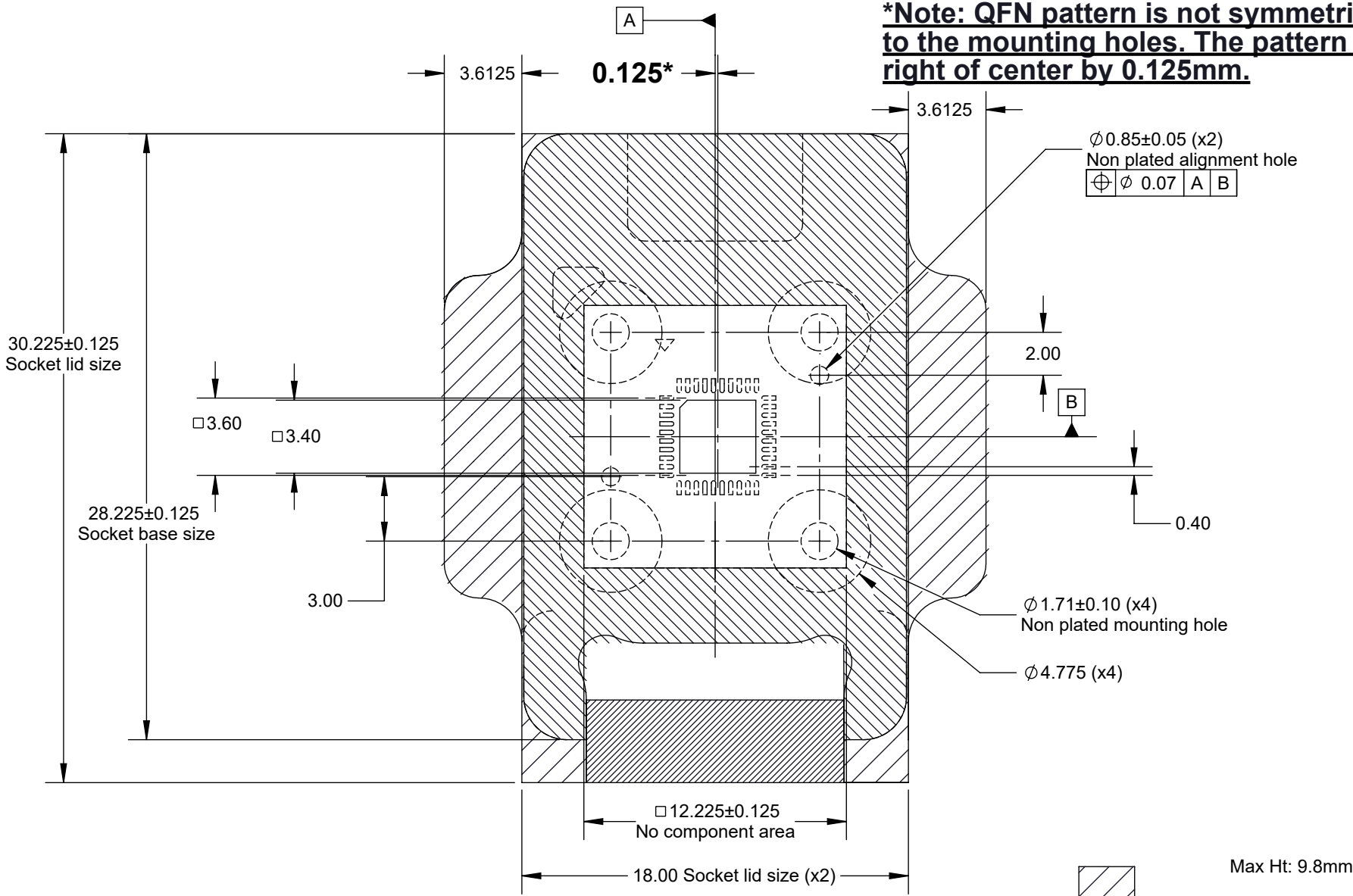


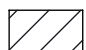
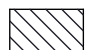

## Description: CG25-QFN 5x5mm 0.4mm pitch QFN40C

Primary dimension units are millimeters, Secondary dimension units are [inches], Weight is in grams.  
 Tolerances: Hole diameters  $\pm 0.0254\text{mm}$  [ $\pm 0.001$ "], Pitches (from true position)  $\pm 0.0254\text{mm}$  [ $\pm 0.001$ "],  
 substrate thickness tolerance  $\pm 10\%$ , all other tolerances  $\pm 0.127\text{mm}$  [ $\pm 0.005$ "]  
 unless stated otherwise. Materials and specifications are subject to change without notice.

 ©2017 Ironwood Electronics, Inc. Tele: (800) 404-0204 www.ironwoodelectronics.com	Material: N/A Finish: N/A Weight: 33.18	STATUS: Released	SHEET: 1 OF 4	REV. A
		ENG: J. Vavra	DRAWN BY: M. Raske	SCALE: 1.85:1
		FILE: CG25-QFN-2003 Dwg	DATE: 04/06/2018	

**\*Note: QFN pattern is not symmetrical with respect to the mounting holes. The pattern is shifted to the right of center by 0.125mm.**




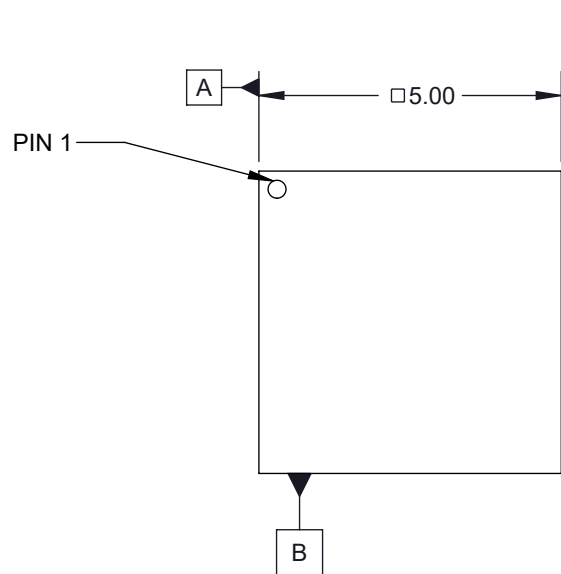
-  Max Ht: 9.8mm
-  Max Ht: 1.7mm
-  Max Ht: 0.3mm

**Target PCB Recommendations**  
 Total thickness: 1.6mm min.  
 Plating: Gold or Solder finish

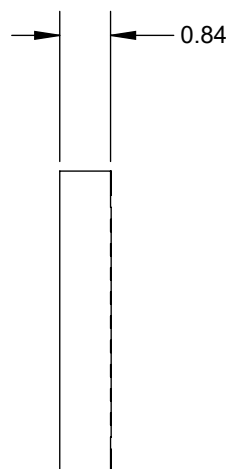
**Description: Recommended PCB Layout**

Primary dimension units are millimeters, Secondary dimension units are [inches], Weight is in grams.  
 Tolerances: Hole diameters  $\pm 0.0254\text{mm}$  [ $\pm 0.001^{\circ}$ ], Pitches (from true position)  $\pm 0.0254\text{mm}$  [ $\pm 0.001^{\circ}$ ],  
 substrate thickness tolerance  $\pm 10\%$ , all other tolerances  $\pm 0.127\text{mm}$  [ $\pm 0.005^{\circ}$ ]  
 unless stated otherwise. Materials and specifications are subject to change without notice.

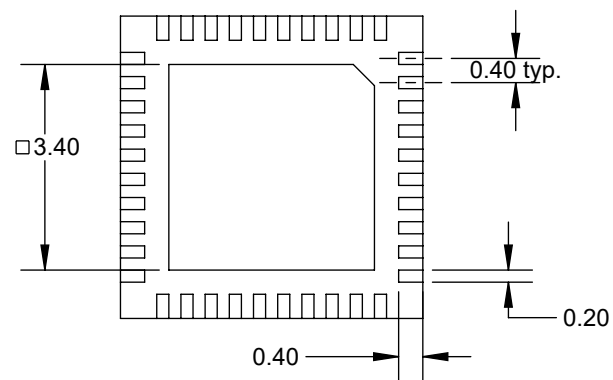
 ©2017 Ironwood Electronics, Inc. Tele: (800) 404-0204 www.ironwoodelectronics.com	<b>CG25-QFN-2003 Drawing</b>	Material: N/A Finish: N/A Weight: 33.18	STATUS: Released	SHEET: 2 OF 4	REV. A
			ENG: J. Vavra	DRAWN BY: M. Raske	SCALE: 3.75:1
			FILE: CG25-QFN-2003 Dwg	DATE: 04/06/2018	



TOP VIEW




SIDE VIEW

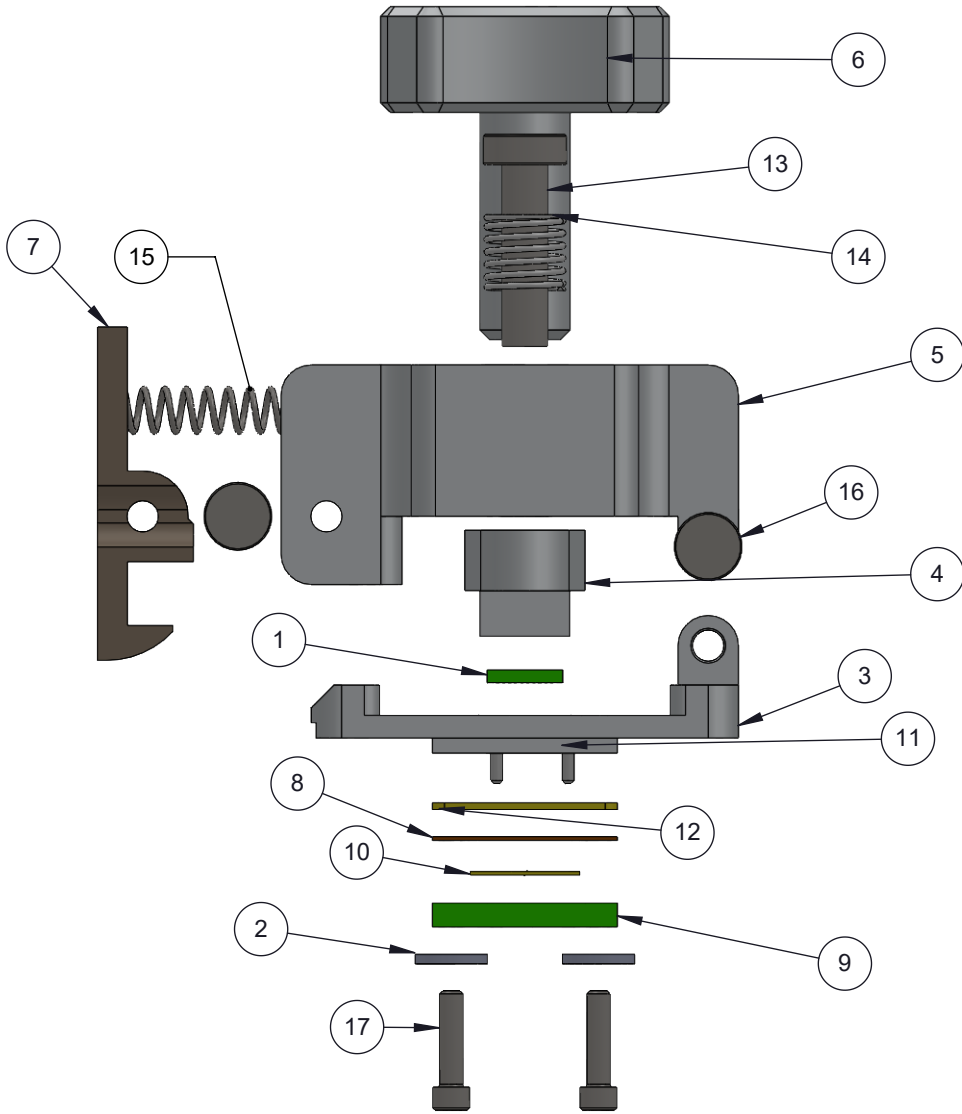


BOTTOM VIEW

**Description: Compatible QFN**

Primary dimension units are millimeters, Secondary dimension units are [inches], Weight is in grams.  
 Tolerances: Hole diameters  $\pm 0.0254\text{mm}$  [ $\pm 0.001"$ ], Pitches (from true position)  $\pm 0.0254\text{mm}$  [ $\pm 0.001"$ ],  
 substrate thickness tolerance  $\pm 10\%$ , all other tolerances  $\pm 0.127\text{mm}$  [ $\pm 0.005"$ ]  
 unless stated otherwise. Materials and specifications are subject to change without notice.


 ©2017 Ironwood Electronics, Inc. Tele: (800) 404-0204 www.ironwoodelectronics.com	<b>CG25-QFN-2003 Drawing</b>	Material: N/A Finish: N/A Weight: 33.18	STATUS: Released	SHEET: 3 OF 4	REV. A
			ENG: J. Vavra	DRAWN BY: M. Raske	SCALE: 8:1
			FILE: CG25-QFN-2003 Dwg	DATE: 04/06/2018	



ITEM NO.	DESCRIPTION	Material
1	Customer's device	FR4 High temp
2	Washer, #0 x .025", Nylon	Nylon 6/6
3	Socket Base	7075-T6 Aluminum Alloy
4	Compression Plate 6mm sq	7075-T6 Aluminum Alloy
5	Clam Shell Lid	7075-T6 Aluminum Alloy
6	Fluted Knob Compression Screw	7075-T6 Aluminum Alloy
7	Latch, Ni plated	7075-T6 Aluminum Alloy
8	Elastomer guide	Kapton Polyimide/Cirlex
9	Customer's target PCB	FR4 High temp
10	elastomer	SG Elastomer
11	Alignment Pin 1/32" dia. x 1/8" lng	Chrome Stainless Steel
12	IC (MLF) Guide	Torlon 4203
13	Screw, M3 x 12mm, Low Head Cap, SS	18-8 Stainless Steel
14	Spring Clamshell lid assembly	Steel Music Wire
15	Precision Compression Spring, Zinc-Plated Music Wire, 1/2" Length, .12" OD, .016" Wire	Zinc Plated Music Wire
16	Hinge Pin and Snap Ring, 2mm OD, 19mm long, SS	Stainless Steel (ferritic)
17	#0-80 X .25 LG, SOC HD CAP SCREW, ALLOY STL, BLK OXIDE	Alloy Steel

### Description: Socket Detail

Primary dimension units are millimeters, Secondary dimension units are [inches], Weight is in grams.  
 Tolerances: Hole diameters  $\pm 0.0254\text{mm}$  [ $\pm 0.001"$ ], Pitches (from true position)  $\pm 0.0254\text{mm}$  [ $\pm 0.001"$ ], substrate thickness tolerance  $\pm 10\%$ , all other tolerances  $\pm 0.127\text{mm}$  [ $\pm 0.005"$ ] unless stated otherwise. Materials and specifications are subject to change without notice.

 ©2017 Ironwood Electronics, Inc. Tele: (800) 404-0204 www.ironwoodelectronics.com	Material: N/A Finish: N/A Weight: 33.18	STATUS: Released	SHEET: 4 OF 4	REV. A
		ENG: J. Vavra	DRAWN BY: M. Raske	SCALE: 2:1
		FILE: CG25-QFN-2003 Dwg	DATE: 04/06/2018	