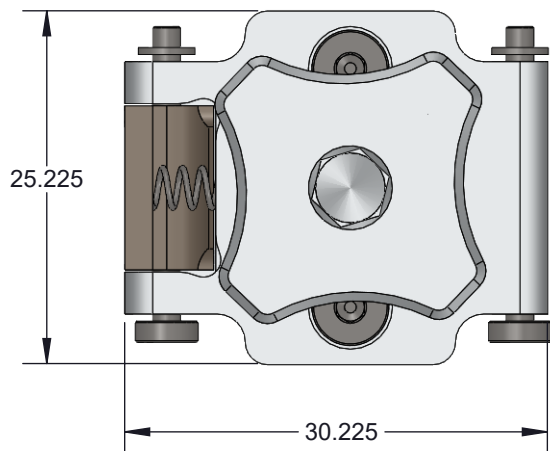


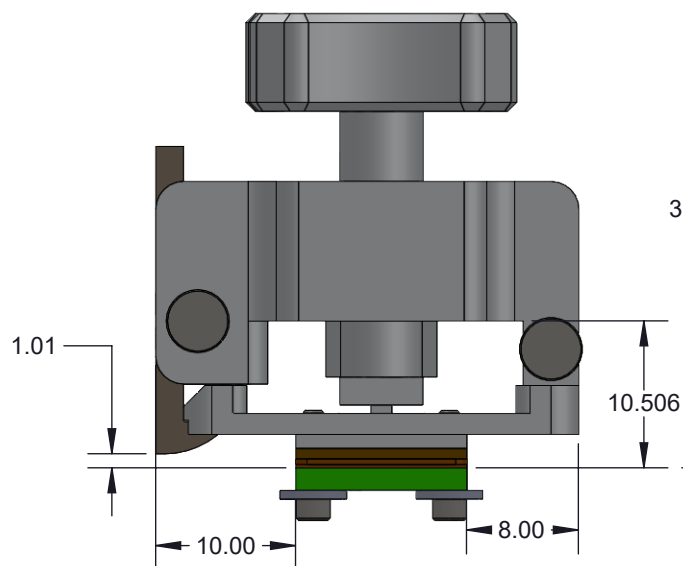
# GHz QFN Socket - Direct mount, solderless

## Features

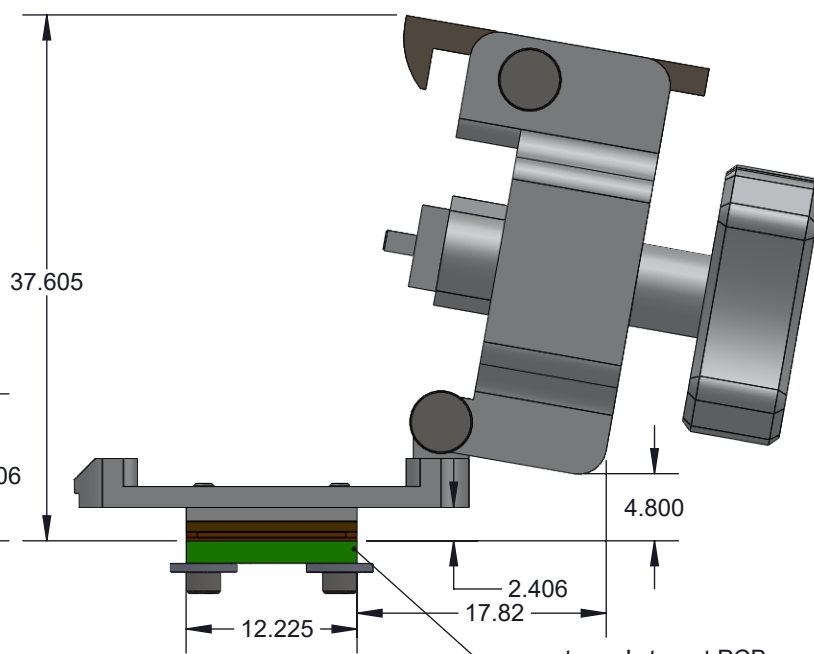
- Directly mounts to target PCB (needs tooling holes) with hardware
- High speed, reliable Elastomer connection
- Minimum real estate required
- Compression plate distributes forces evenly
- Hinged clamshell socket lid



TOP VIEW

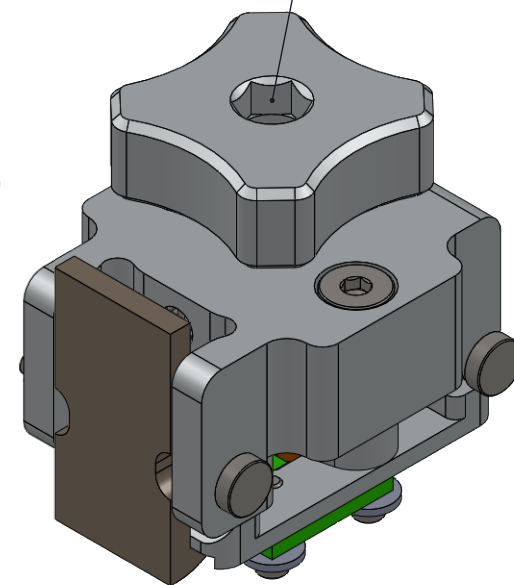


SIDE VIEW



SIDE VIEW


REQUIRED TORQUE = 0.70 N-cm [1 IN OZ]  
RECOMMENDED TOOL = TL-TORQUEDRIVER-09



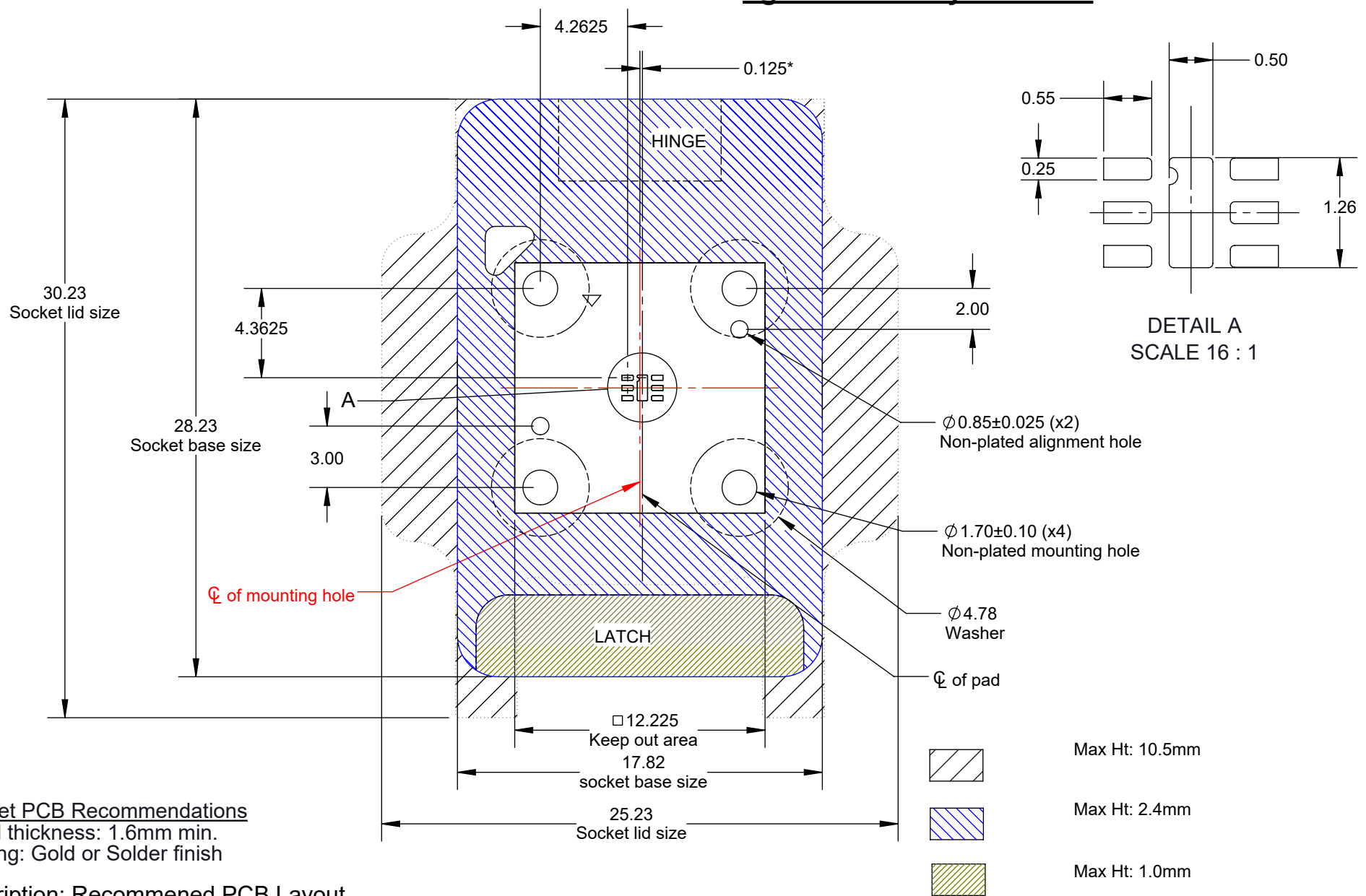
## Description: CG25-QFN 1.6x1.6mm 0.5mm pitch QFN6


Primary dimension units are millimeters, Secondary dimension units are [inches], Weight is in grams.

Tolerances: Hole diameters  $\pm 0.03\text{mm}$  [ $\pm 0.001"$ ], Pitches (from true position)  $\pm 0.025\text{mm}$  [ $\pm 0.001"$ ], substrate thickness tolerance  $\pm 10\%$ , all other tolerances  $\pm 0.13\text{mm}$  [ $\pm 0.005"$ ] unless stated otherwise. Materials and specifications are subject to change without notice.

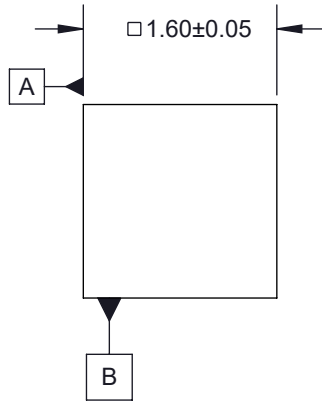
 <p>©2018 Ironwood Electronics, Inc. Tele: (800) 404-0204 www.ironwoodelectronics.com</p>	<p><b>CG25-QFN-2004 Drawing</b></p>	<p>Material: N/A Finish: N/A Weight: 33.28</p>	<p>STATUS: Released</p>	<p>SHEET: 1 OF 5</p>	<p>REV. A</p>
	<p>ENG: M. Raske</p>	<p>DRAWN BY: M. Raske</p>	<p>SCALE: 1.85:1</p>	<p>FILE: CG25-QFN-2004 Dwg</p>	<p>DATE: 11/05/2019</p>

**\*Note: QFN pattern is not symmetrical with respect to the mounting holes. The pattern is shifted to the right of center by 0.125mm.**

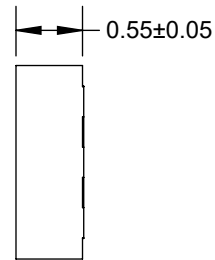


 ©2018 Ironwood Electronics, Inc. Tele: (800) 404-0204 www.ironwoodelectronics.com	Material: N/A Finish: N/A Weight: 33.28	STATUS: Released ENG: M. Raske FILE: CG25-QFN-2004 Dwg	SHEET: 2 OF 5 DRAWN BY: M. Raske DATE: 11/05/2019	REV. A SCALE: 3.75:1

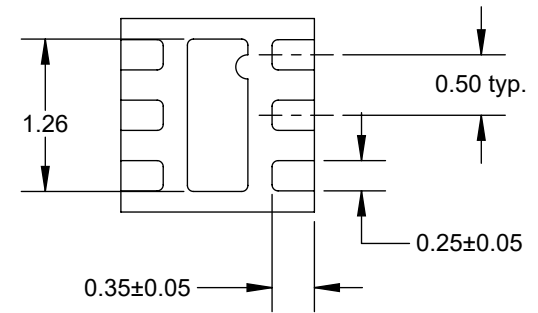
Package code: QFN6H



TOP VIEW



SIDE VIEW




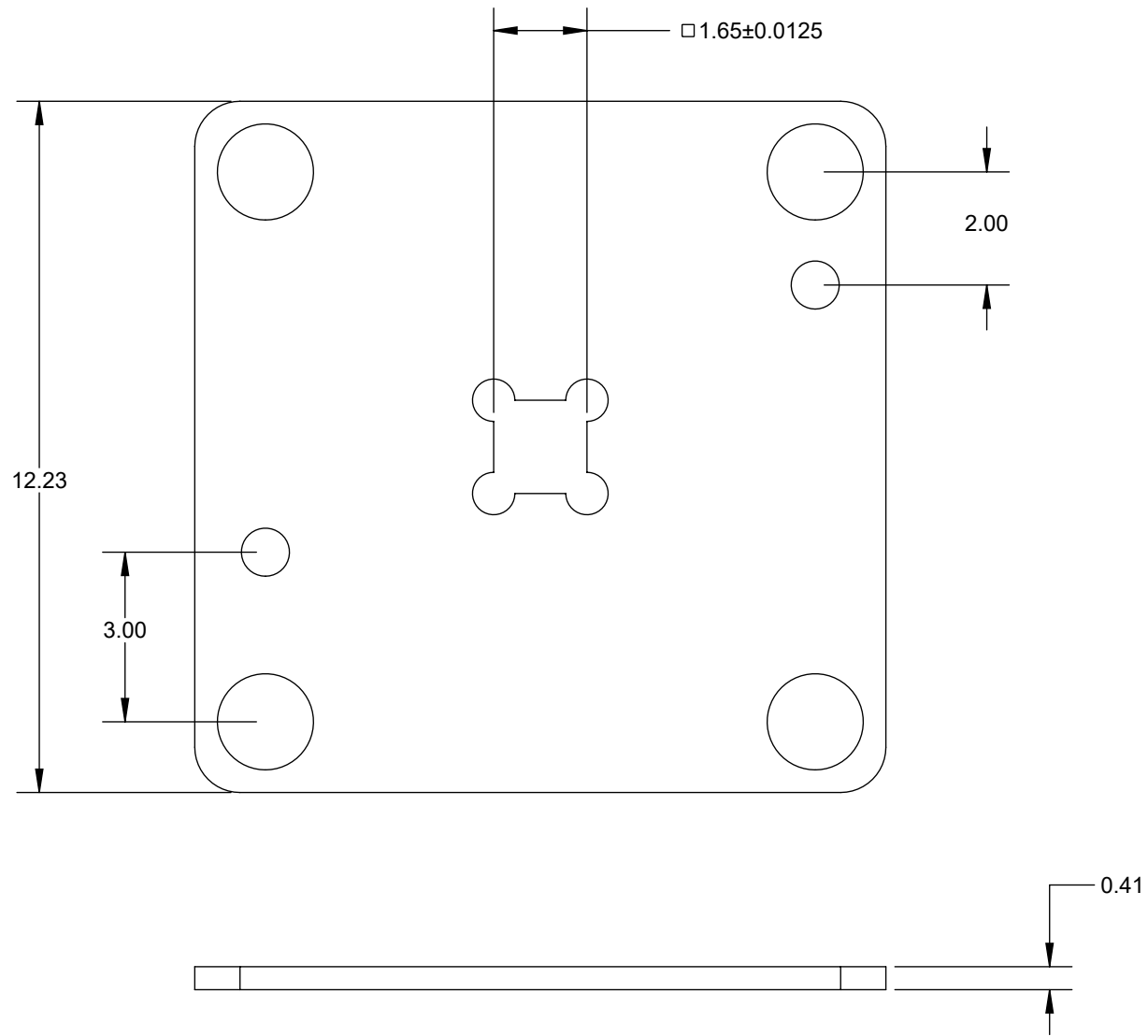
BOTTOM VIEW

**Description: Compatible QFN**

Primary dimension units are millimeters, Secondary dimension units are [inches], Weight is in grams.

Tolerances: Hole diameters  $\pm 0.0254\text{mm}$  [ $\pm 0.001$ "]. Pitches (from true position)  $\pm 0.0762\text{mm}$  [ $\pm 0.003$ "], substrate thickness tolerance  $\pm 10\%$ , all other tolerances  $\pm 0.127\text{mm}$  [ $\pm 0.005$ "] unless stated otherwise. Materials and specifications are subject to change without notice.


 <p>©2018 Ironwood Electronics, Inc.          Tele: (800) 404-0204          www.ironwoodelectronics.com</p>	<p><b>CG25-QFN-2004 Drawing</b></p>	<p>Material: N/A          Finish: N/A          Weight: 33.28</p>	<p>STATUS: Released</p>	<p>SHEET: 3 OF 5</p>	<p>REV. A</p>
			<p>ENG: M. Raske</p>	<p>DRAWN BY: M. Raske</p>	<p>SCALE: 16:1</p>
			<p>FILE: CG25-QFN-2004 Dwg</p>	<p>DATE: 11/05/2019</p>	

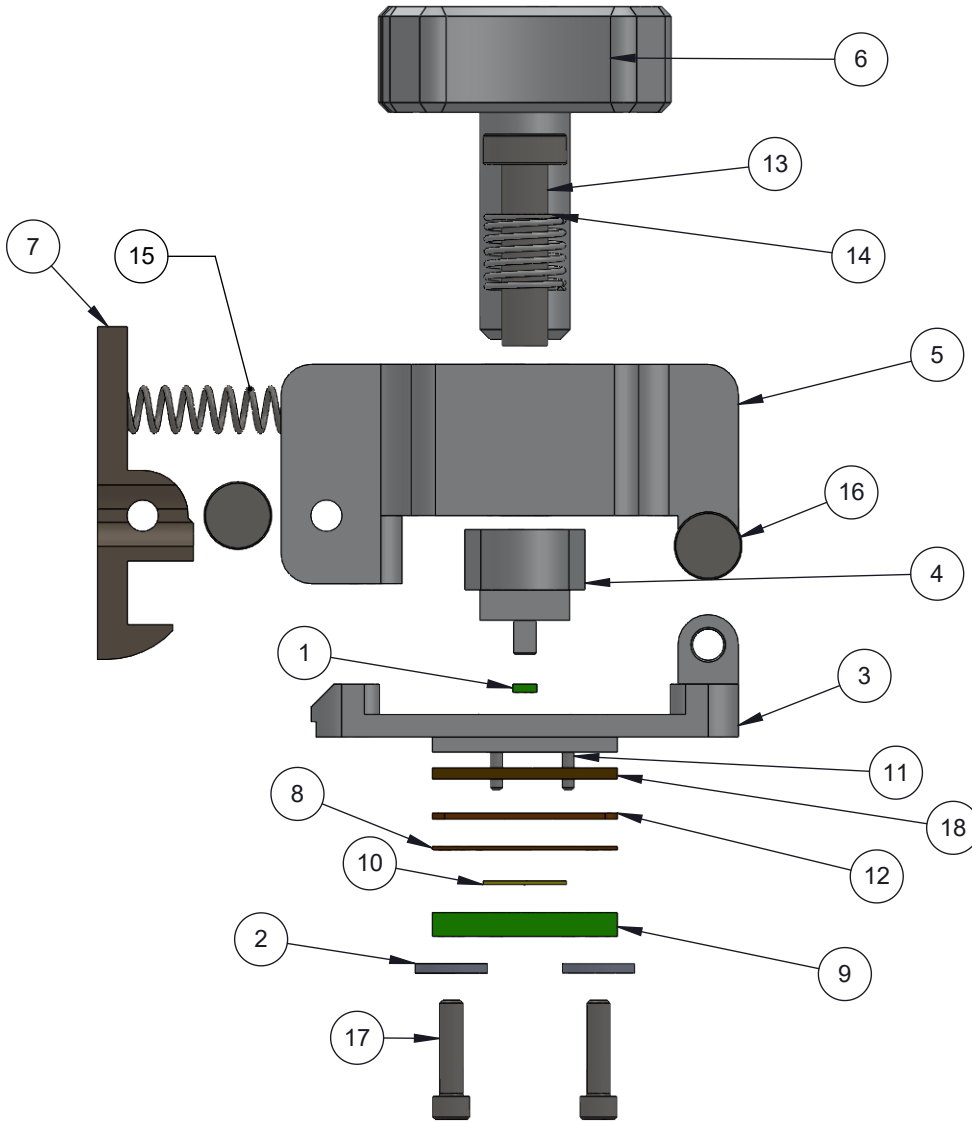


### Description: IC pocket opening

Primary dimension units are millimeters, Secondary dimension units are [inches], Weight is in grams.

**Tolerances:** Hole diameters  $\pm 0.0254\text{mm}$  [ $\pm 0.001"$ ], Pitches (from true position)  $\pm 0.0762\text{mm}$  [ $\pm 0.003"$ ], substrate thickness tolerance  $\pm 10\%$ , all other tolerances  $\pm 0.127\text{mm}$  [ $\pm 0.005"$ ] unless stated otherwise. Materials and specifications are subject to change without notice.

 ©2018 Ironwood Electronics, Inc. Tele: (800) 404-0204 www.ironwoodelectronics.com	<b>CG25-QFN-2004 Drawing</b>	Material: N/A Finish: N/A Weight: 33.28	STATUS: Released ENG: M. Raske FILE: CG25-QFN-2004 Dwg	SHEET: 4 OF 5 DRAWN BY: M. Raske DATE: 11/05/2019	REV. A SCALE: 8:1




ITEM NO.	DESCRIPTION	Material
1	Customer's device 1.6x1.6mm QFN6	FR4 High temp
2	Washer, #0 x .025", Nylon	Nylon 6/6
3	Socket Base	7075-T6 Aluminum Alloy
4	Compression Plate with step 1.5x1.5mm	7075-T6 Aluminum Alloy
5	Clam Shell Lid	7075-T6 Aluminum Alloy
6	Fluted Knob Compression Screw	7075-T6 Aluminum Alloy
7	Latch, Ni plated	7075-T6 Aluminum Alloy
8	Elastomer guide	Kapton Polyimide/Cirlex
9	Customer's target PCB	FR4 High temp
10	0.25mm thick elastomer	SG Elastomer
11	Dowel Pin, 1/32" x 3/16", SS	Chrome Stainless Steel
12	IC guide for 1.6x1.6mm IC	Kapton Polyimide/Cirlex
13	Screw, M3 x 12mm, Low Head Cap, SS	18-8 Stainless Steel
14	Spring Clamshell lid assembly	Steel Music Wire
15	Precision Compression Spring, Zinc-Plated Music Wire, 1/2" Length, .12" OD, .016" Wire	Zinc Plated Music Wire
16	Hinge Pin and Snap Ring, 2mm OD, 19mm long, SS	Stainless Steel (ferritic)
17	#0-80 X .25 LG, SOC HD CAP SCREW, ALLOY STL, BLK OXIDE	Alloy Steel
18	IC guide for custom shim contactor testing	Kapton Polyimide/Cirlex

### Description: Socket Detail

Primary dimension units are millimeters, Secondary dimension units are [inches], Weight is in grams.

Tolerances: Hole diameters  $\pm 0.0254\text{mm}$  [ $\pm 0.001"$ ]. Pitches (from true position)  $\pm 0.0762\text{mm}$  [ $\pm 0.003"$ ], substrate thickness tolerance  $\pm 10\%$ , all other tolerances  $\pm 0.127\text{mm}$  [ $\pm 0.005"$ ] unless stated otherwise. Materials and specifications are subject to change without notice.

 <b>CG25-QFN-2004 Drawing</b> ©2018 Ironwood Electronics, Inc. Tele: (800) 404-0204 www.ironwoodelectronics.com	Material: N/A Finish: N/A Weight: 33.28	STATUS: Released	SHEET: 5 OF 5	REV. A
		ENG: M. Raske	DRAWN BY: M. Raske	SCALE: 2:1
		FILE: CG25-QFN-2004 Dwg	DATE: 11/05/2019	