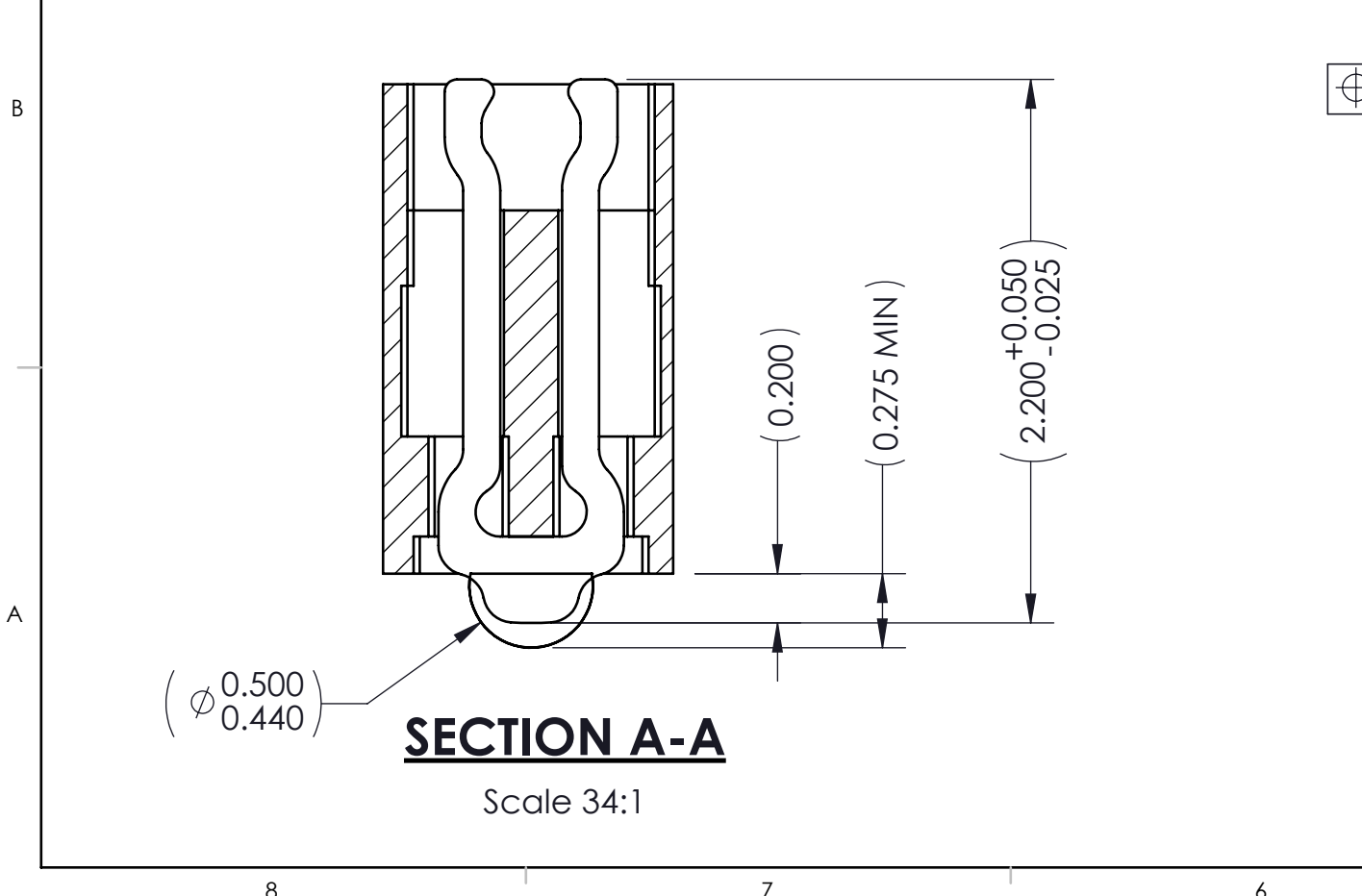
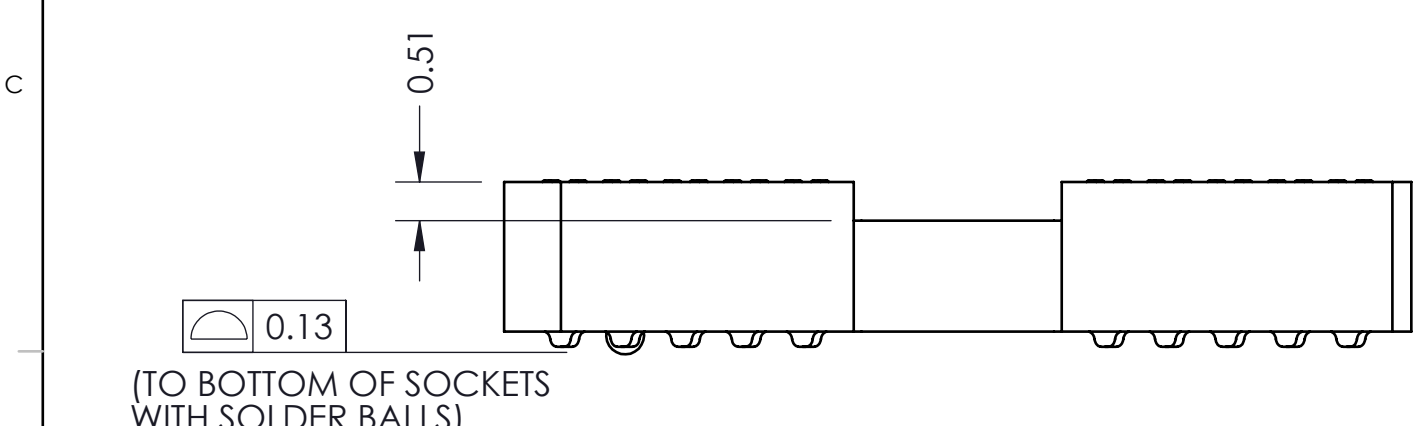
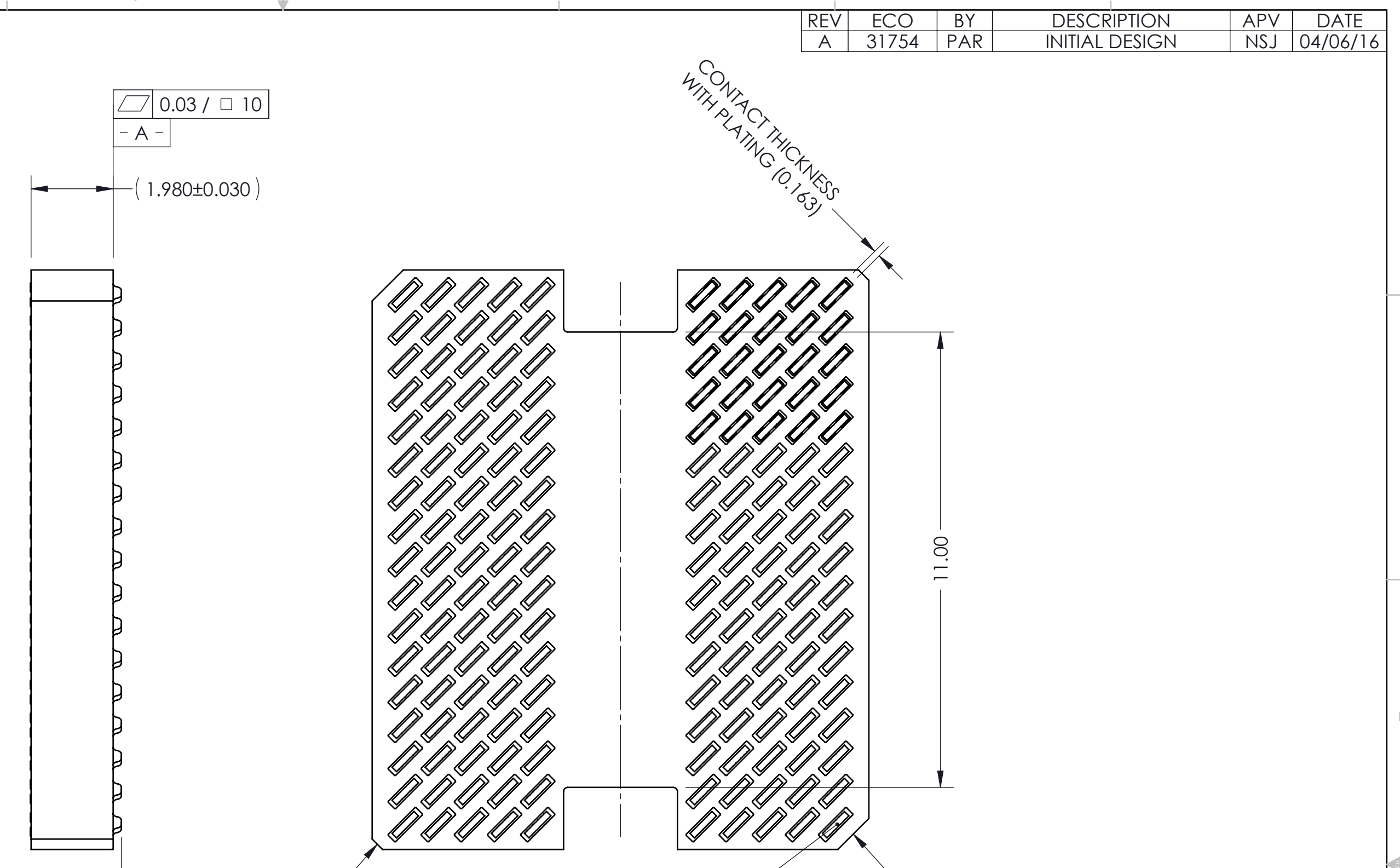
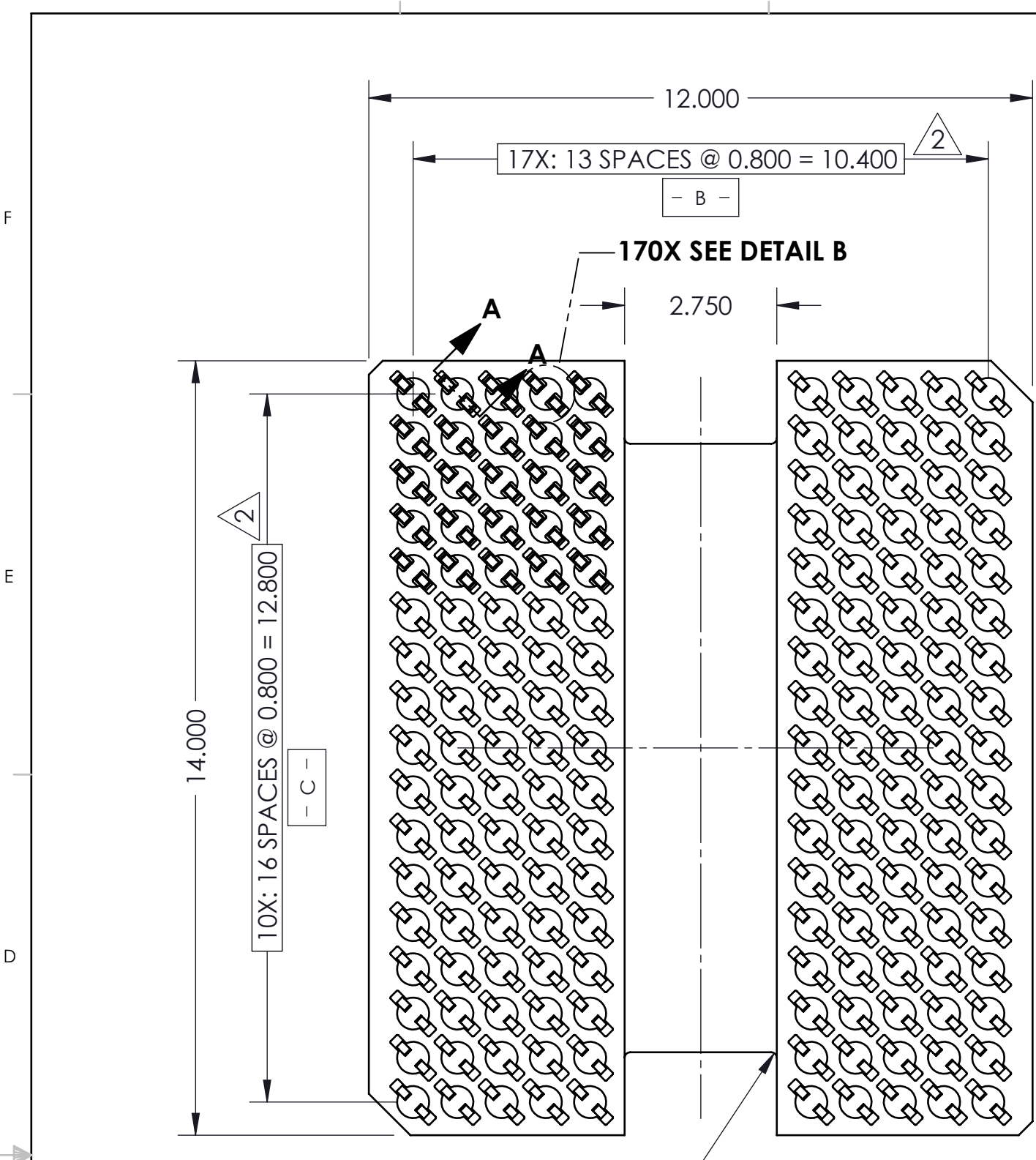


REV	ECO	BY	DESCRIPTION	APV	DATE
A	31754	PAR	INITIAL DESIGN	NSJ	04/06/16



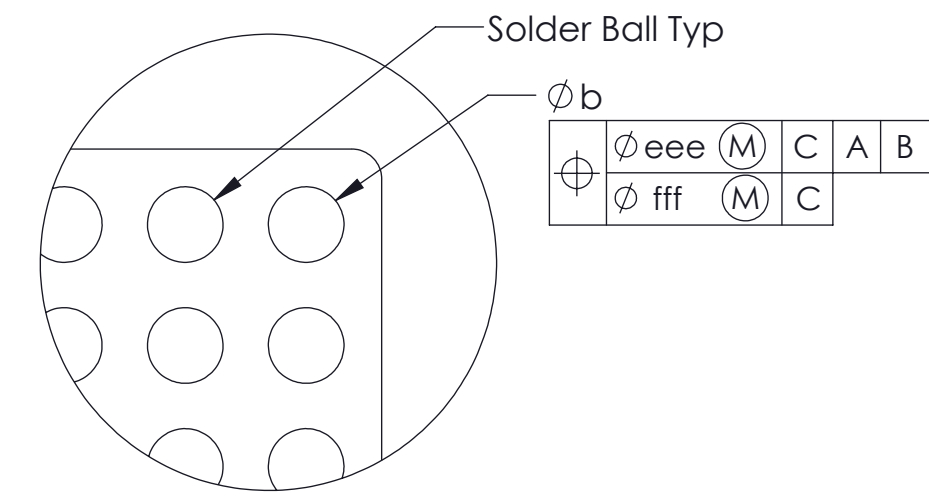
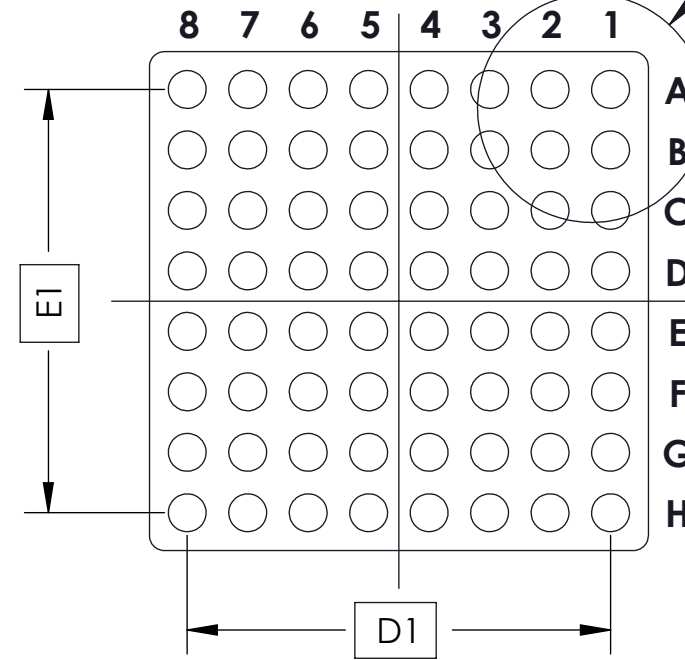
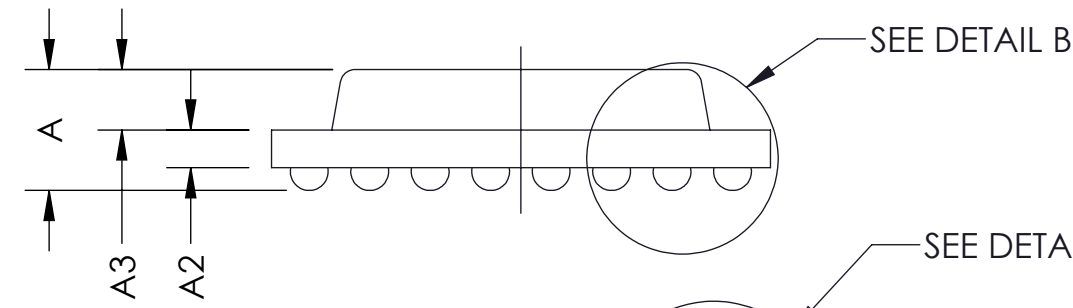
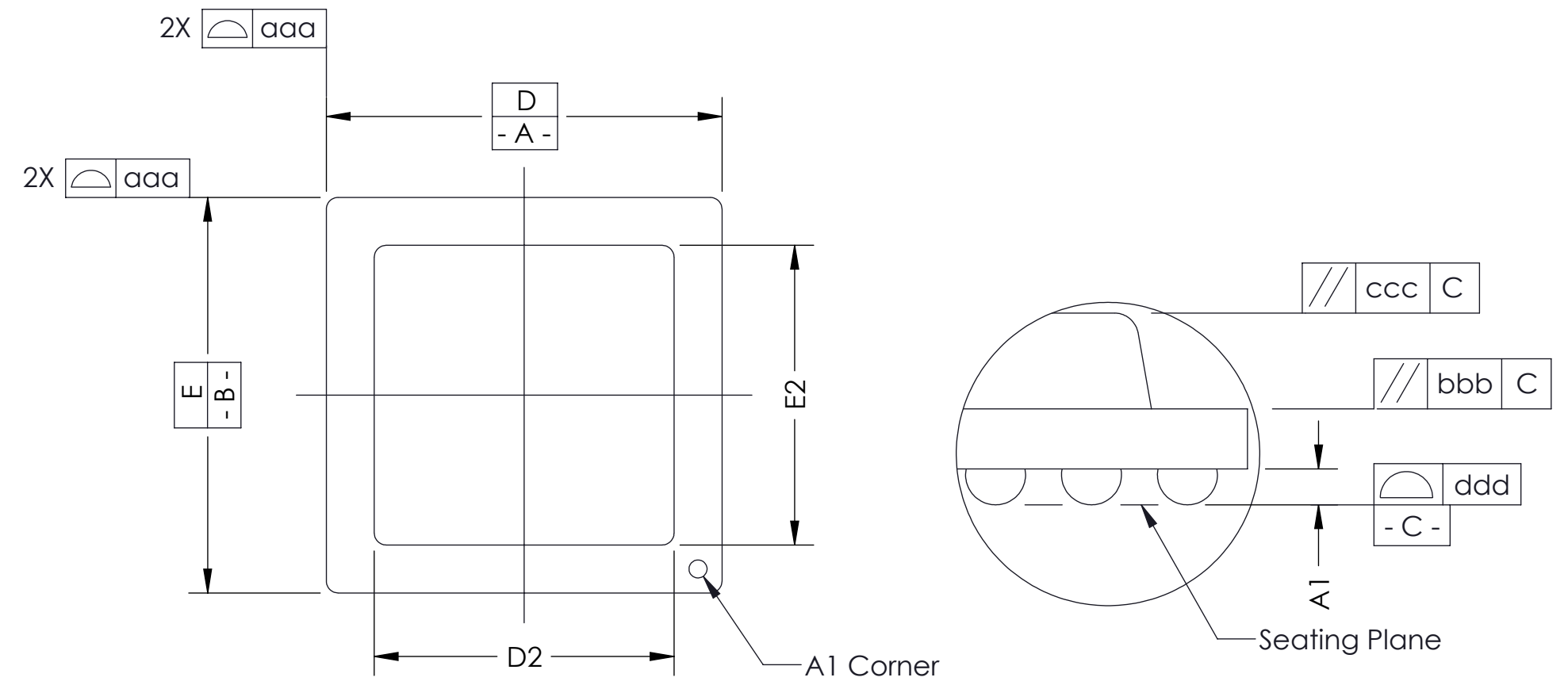
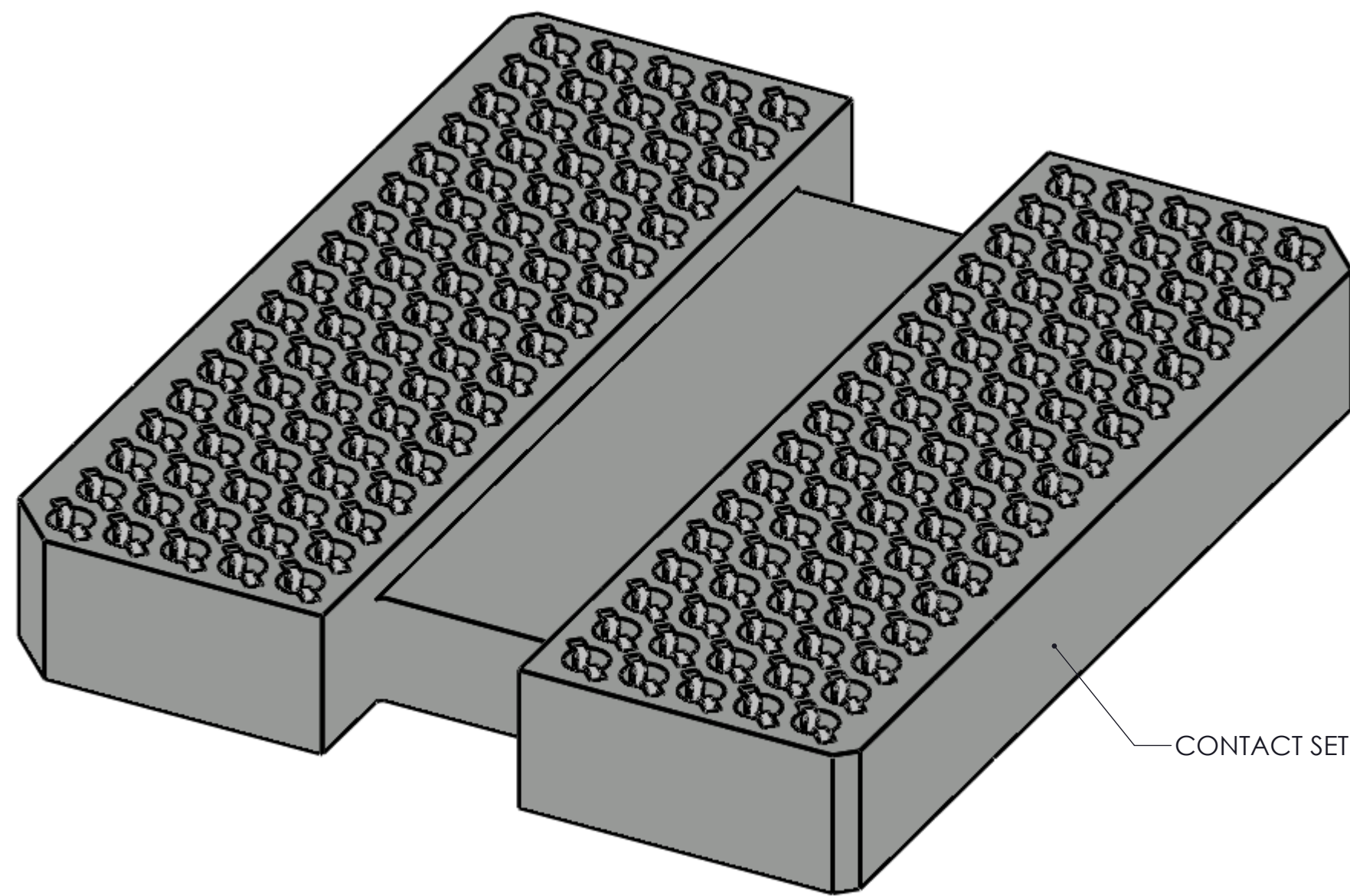
- NOTES:
- FOOTPRINT PART NUMBER IS 104311-0215
  - LOCATES CENTER OF CONTACT SLOTS.
  - PRESS SIZE: 12.0 X 14.0
  - DATUM B AND C DETERMINED BY  $\phi 0.580$  OPENING IN CORNER SLOTS.
  - ALL SOLDER BALLS ARE NOT SHOWN TO MINIMIZE FILE SIZE.

PARTS LIST	
Part Number	Description
105526-0102	SCKT, 170GRY12X14-0.80
105528-0070	CS, 170GRY12X14-0.80
103864-0111	PRESS, DEV INS, 12.0X14.0 (SOLD SEP.)

<p><b>HSIO technologies</b> PROPRIETARY AND CONFIDENTIAL</p> <p>THE INFORMATION CONTAINED IN THIS DRAWING IS THE SOLE PROPERTY OF HSIO TECHNOLOGIES, LLC. ANY REPRODUCTION IN PART OR AS A WHOLE WITHOUT THE WRITTEN PERMISSION OF HSIO TECHNOLOGIES, LLC IS PROHIBITED.</p>	UNLESS OTHERWISE SPECIFIED: DIMENSIONS ARE IN MILLIMETERS TOLERANCES: ANGULAR: $\pm 1^\circ$ X.X $\pm 0.25$ X.XX $\pm 0.10$ X.XXX $\pm 0.050$	NAME: PAR DATE: 04/06/16	<b>HSIO TECHNOLOGIES, LLC.</b> 13400 68th AVENUE NORTH MAPLE GROVE, MINNESOTA 55311 763-447-6260	
	INTERPRET GEOMETRIC TOLERANCING PER:	CHECKED: NSJ DATE: 04/06/16		TITLE: SCKT, 170GRY12X14-0.80, DS (EUTECTIC)
	MATERIAL: SEE BOM	LEGEND: △ NOTE CALLOUT □ REVISION CHANGE ○ ITEM NUMBER	DWG. NO. <b>105526-0102</b>	REV <b>A</b>
	FINISH: DO NOT SCALE DRAWING		SCALE: 10:1	SIZE: C

SOCKET FOR DEVICES THAT ARE WITHIN THESE SPECIFICATIONS					
Lead Count	<b>N</b>	170	Package Size	<b>D</b>	12.0
Columns	<b>ND</b>	14	Ball Spacing	<b>E</b>	14.0
Rows	<b>NE</b>	17	Encapsulant/ Top Size	<b>D1</b>	10.40
Pitch	<b>e</b>	0.80	Encapsulant/ Top Size	<b>E1</b>	12.80
Ball Size	<b>b</b>	0.45±0.05	Encapsulant/ Top Size	<b>D2</b>	N/A
Total Thickness	<b>A</b>	N/A	Pattern Style	<b>E2</b>	N/A
Ball Height	<b>A1</b>	0.275 Min	Perimeter Rows	Irregular*	
Substrate Thickness	<b>A2</b>	N/A	Center Array	N/A	
Top Thickness	<b>A3</b>	N/A			
Form Tolerances					
Edge	<b>aaa</b>	0.20	Bottom	<b>ddd</b>	0.15
Substrate	<b>bbb</b>	0.20	Position	<b>eee</b>	0.20
top	<b>ccc</b>	0.20	Position	<b>fff</b>	0.08

ALL DIMENSIONS ARE IN MILLIMETERS.  
\*SEE FOOTPRINT SPECIFICATION FOR PATTERN DETAILS.



**Generic Representation with Full Grid Array**

**PROPRIETARY AND CONFIDENTIAL**

THE INFORMATION CONTAINED IN THIS DRAWING IS THE SOLE PROPERTY OF HSIO TECHNOLOGIES, LLC. ANY REPRODUCTION IN PART OR AS A WHOLE WITHOUT THE WRITTEN PERMISSION OF HSIO TECHNOLOGIES, LLC IS PROHIBITED.

UNLESS OTHERWISE SPECIFIED: DIMENSIONS ARE IN MILLIMETERS TOLERANCES: ANGULAR: ± 1° X.X ±0.25 X.XX ±0.10 X.XXX ±0.050	DRAWN	NAME	DATE	<b>HSIO TECHNOLOGIES, LLC.</b> 13400 68th AVENUE NORTH MAPLE GROVE, MINNESOTA 55311 763-447-6260
	CHECKED	NSJ	04/06/16	
LEGEND: △ NOTE CALLOUT ◻ REVISION CHANGE ○ ITEM NUMBER				TITLE: SCKT, 170GRY12X14-0.80, DS (EUTECTIC)
	<b>HSIO</b> technologies			DWG. NO. <b>105526-0102</b> SCALE: 10:1   SIZE: C   SHEET 2 OF 2