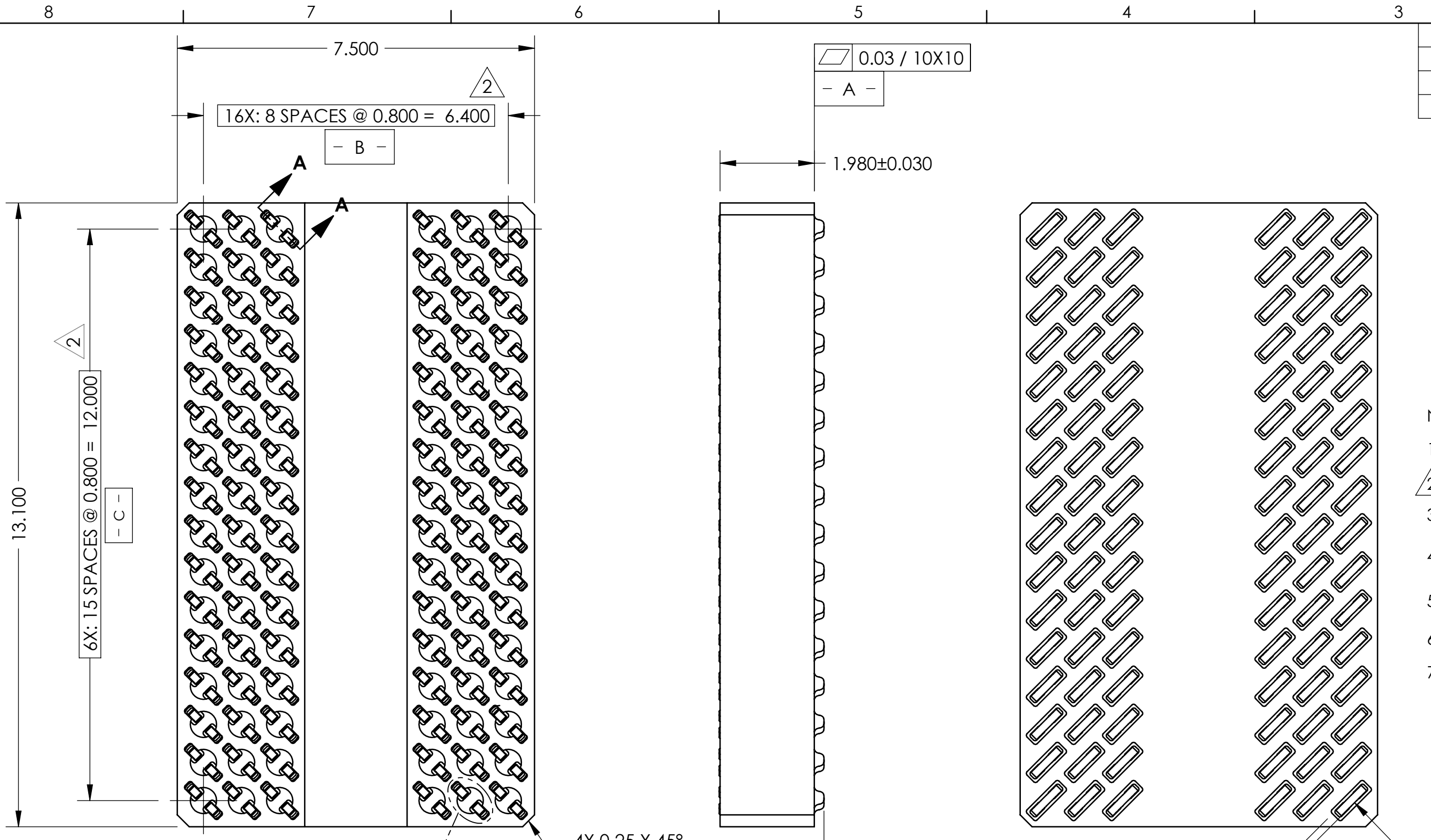
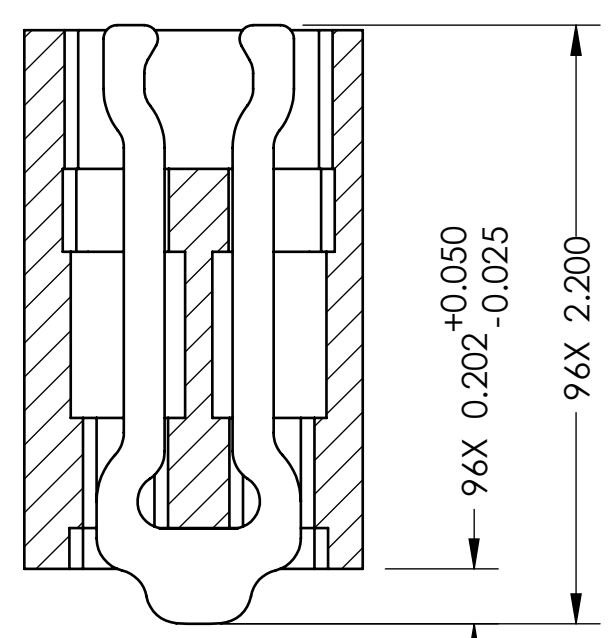
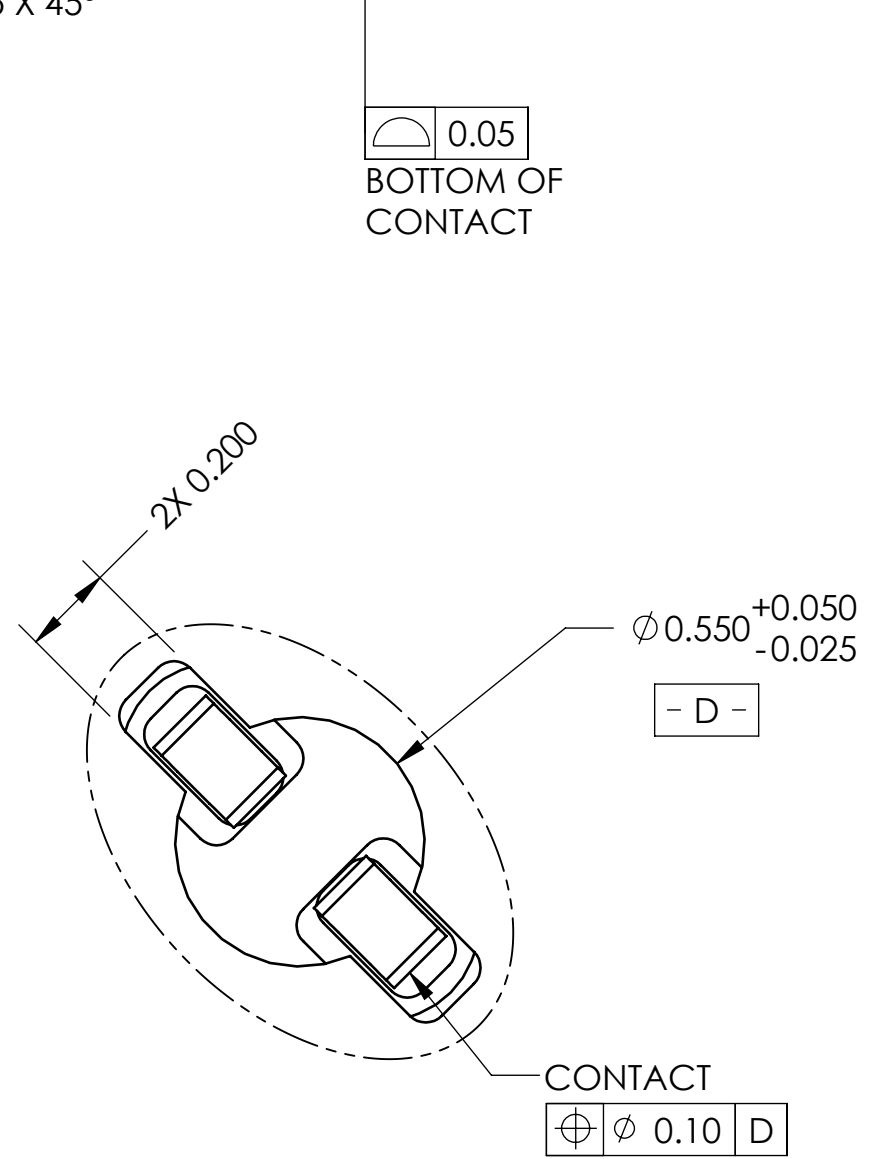
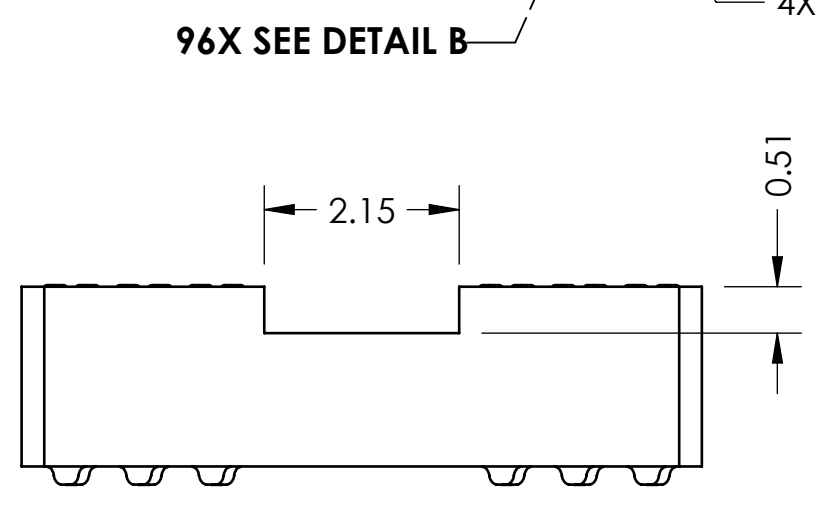


| REV | ECO | BY | DESCRIPTION | APV | DATE |
|-----|-------|----|------------------------|-----|----------|
| A | - | KP | Initial Design | MP | 09/09/08 |
| B | 30897 | JN | Updated Drawing Format | SK | 09/15/11 |
| C | 31633 | RS | Added notes 6 and 7 | RS | 04/14/15 |



- Notes:
- Footprint part number is 104311-0058.
 - Locates center of contact slots.
 - Press size: 7.5 x 13.1
 - Datum **B** and **C** determined by $\varnothing 0.550$ opening in corner slots.
 - Unless otherwise noted, all features located $\varnothing 0.10$ **A** **B** **C**.
 - Stencil Flex 104553-0071 (sold separately).
 - Press Device 103864-0060 (sold separately).



SECTION A-A
SCALE 3:1

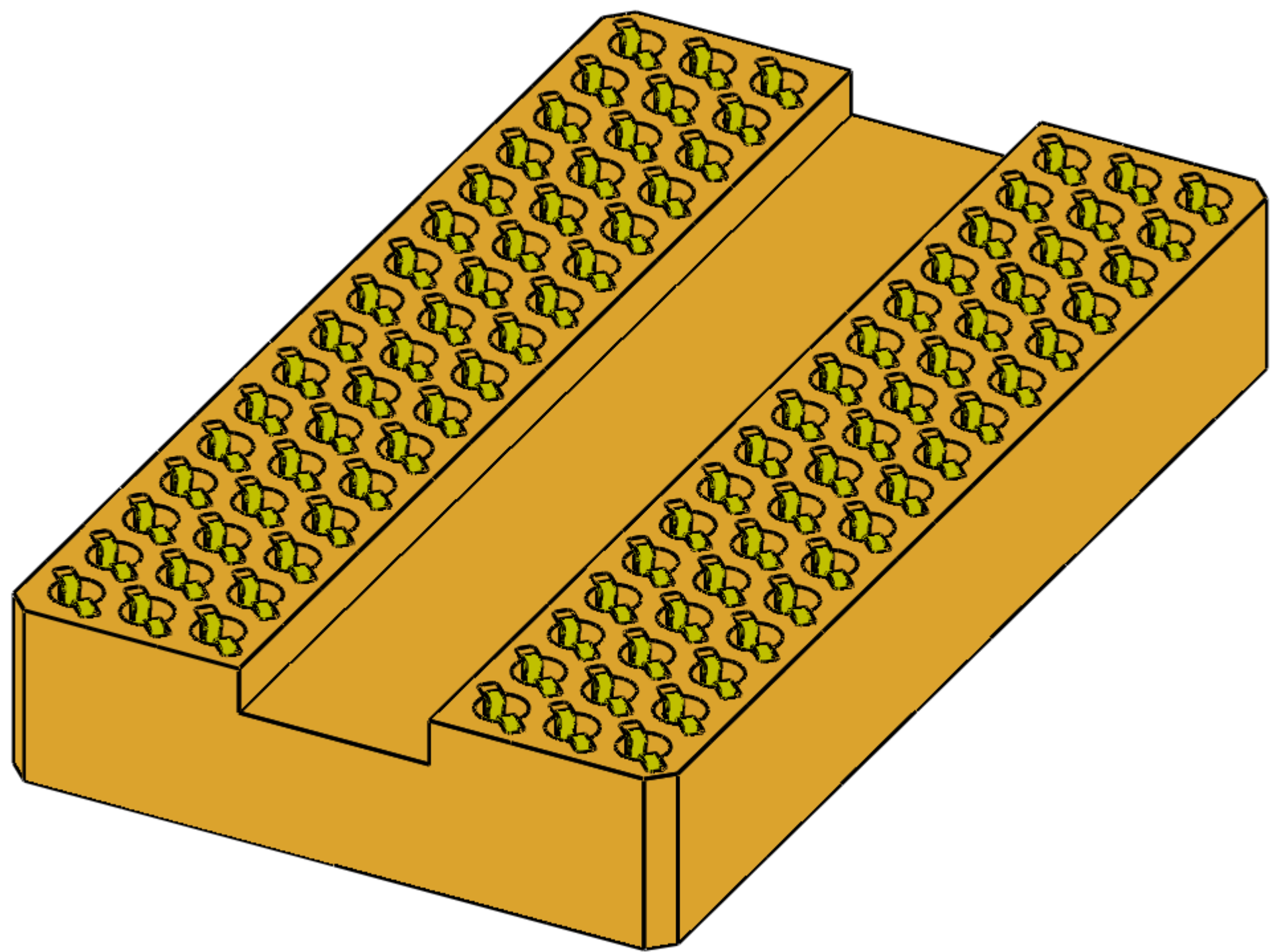
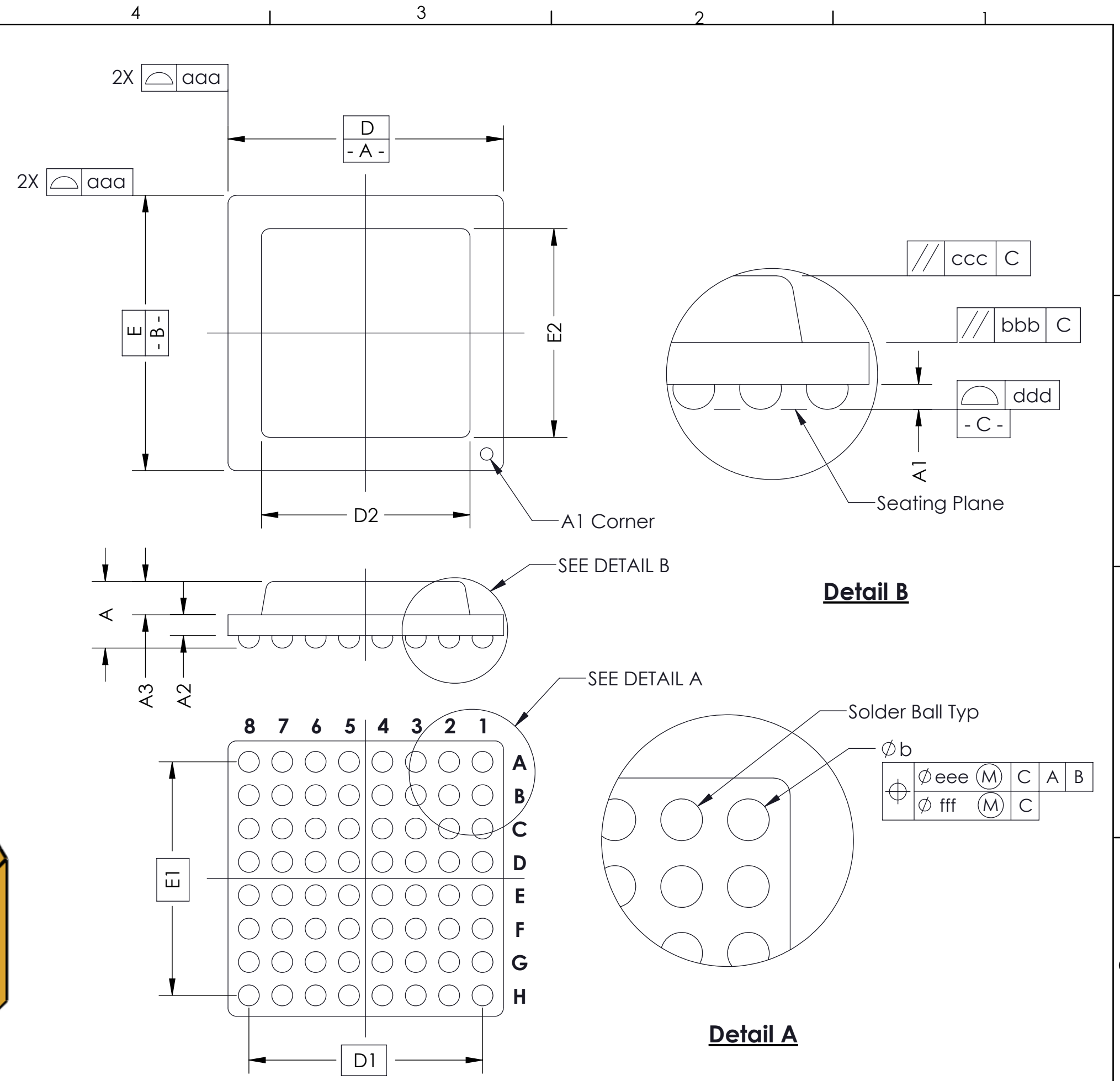
DETAIL B (96X)

SCALE 5:1

| | | | |
|--|-----------------|---|-------------------|
| UNLESS OTHERWISE SPECIFIED - DIMENSIONS ARE IN MILLIMETERS - DIMS APPLY AFTER PLATING TOLERANCES UNLESS OTHERWISE NOTED: ANGLES ±1° DECIMALS X.X ±0.25 X.XX ±0.10 X.XXX ±0.050 | | THE INFORMATION CONTAINED IN THIS DRAWING IS THE SOLE PROPERTY OF CASCADE MICROTECH, INC. ANY REPRODUCTION IN PART OR WHOLE WITHOUT THE WRITTEN PERMISSION OF CASCADE MICROTECH, INC. IS PROHIBITED. | |
| CAD GENERATED DRAWING DO NOT MANUALLY UPDATE | | 7115 NORTHLAND TERRACE, SUITE 400 BROOKLYN PARK, MN 55428 (763) 509-0066 | |
| DRAWING APPROVALS | | TITLE | |
| NAME | DATE | CONN, 96GRY7.5X13.1-0.80 | |
| K. Pitney | 09/09/08 | | |
| APPVD | DATE | SIZE | CAD FORMAT |
| M. Peery | 09/09/08 | C | SOLIDWORKS |
| THIRD ANGLE PROJECTION | | DRAWING NO. | REV. |
| LEGEND: X NOTE CALLOUT 1 REVISION CHANGE X ITEM NUMBER | | 105526-0015 | C |
| | | SCALE | SHEET |
| | | SEE BOM | 1 of 2 |

| SOCKET FOR DEVICES THAT ARE WITHIN THESE SPECIFICATIONS | | | | |
|---|------------|-----------|--------------------------|-----------------|
| Lead Count | N | 96 | Package Size | D 7.50 |
| Columns | ND | 9 | | E 13.10 |
| Rows | NE | 16 | Ball Spacing | D1 6.40 |
| Pitch | e | 0.80 | | E1 12.00 |
| Ball Size | b | 0.45±0.05 | Encapsulant/ Top Size | D2 n/a |
| Total Thickness | A | N/A | | E2 n/a |
| Ball Height | A1 | 0.275 Min | Pattern Style | Irregular* |
| Substrate Thickness | A2 | N/A | Perimeter Rows | n/a |
| Top Thickness | A3 | N/A | Center Array | n/a |
| Form Tolerances | | | | |
| Edge | aaa | 0.20 | Bottom | ddd 0.15 |
| Substrate | bbb | 0.20 | Position | eee 0.20 |
| top | ccc | 0.20 | Position | fff 0.08 |

All dimensions are in millimeters.
*See footprint specification for pattern details.



THE INFORMATION CONTAINED IN THIS DRAWING IS THE SOLE PROPERTY OF CASCADE MICROTECH, INC. ANY REPRODUCTION IN PART OR WHOLE WITHOUT THE WRITTEN PERMISSION OF CASCADE MICROTECH, INC. IS PROHIBITED.

UNLESS OTHERWISE SPECIFIED
- DIMENSIONS ARE IN MILLIMETERS
- DIMS APPLY AFTER PLATING
TOLERANCES UNLESS OTHERWISE NOTED: DECIMALS
ANGLES X.X ±0.25
±1° X.XX ±0.10
X.XXX ±0.050

LEGEND:
 (X) NOTE CALLOUT
 (1) REVISION CHANGE
 (X) ITEM NUMBER

CASCADE MICROTECH

7115 NORTHLAND TERRACE SUITE 400
BROOKLYN PARK, MN 55428
(763) 509-0066

CONN, 96GRY7.5X13.1-0.80

| | | | |
|-------|------------|-------------|--------------|
| SIZE | CAD FORMAT | DRAWING NO. | REV. |
| C | SOLIDWORKS | 105526-0015 | C |
| SCALE | MATERIAL | See Page 1 | SHEET 2 of 2 |