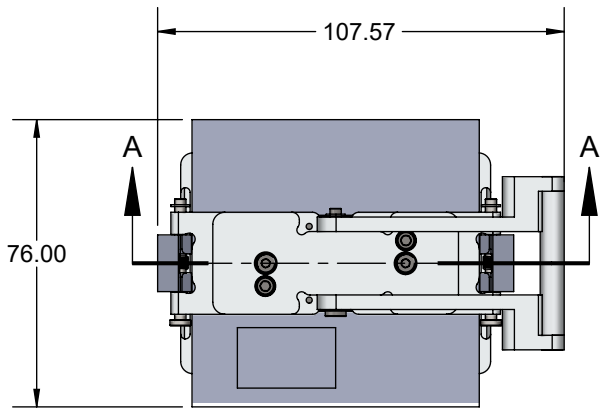


GHz BGA Socket - Direct mount, solderless

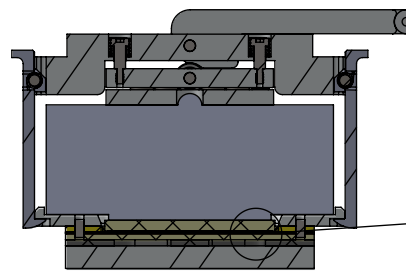
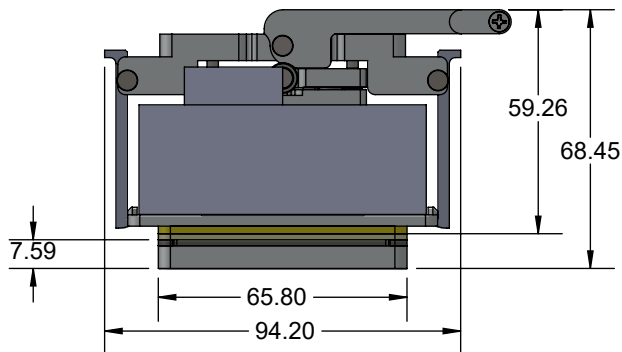
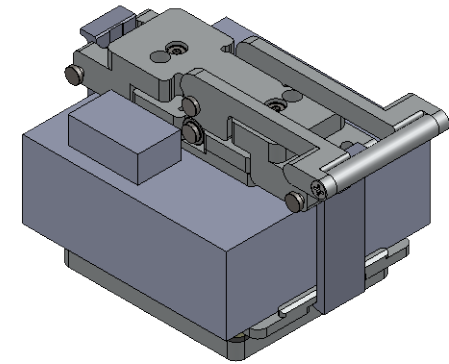


NOTE:
 FOAM TO BE CUT AWAY FROM THERMAL
 HEAD (NOT SUPPLIED) AS PICTURED TO
 THE RIGHT. SOCKET NEEDS TO MAKE
 CONTACT WITH ONLY THE COPPER HEAD

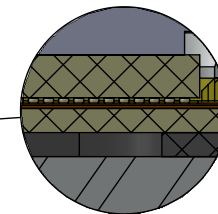


Features

- Directly mounts to target PCB (needs tooling holes) with hardware
- High speed, reliable Elastomer connection
- Minimum real estate required
- Compression plate distributes forces evenly
- Ball guide prevents over compression of elastomer
- Easily removable swivel socket lid



SECTION A-A




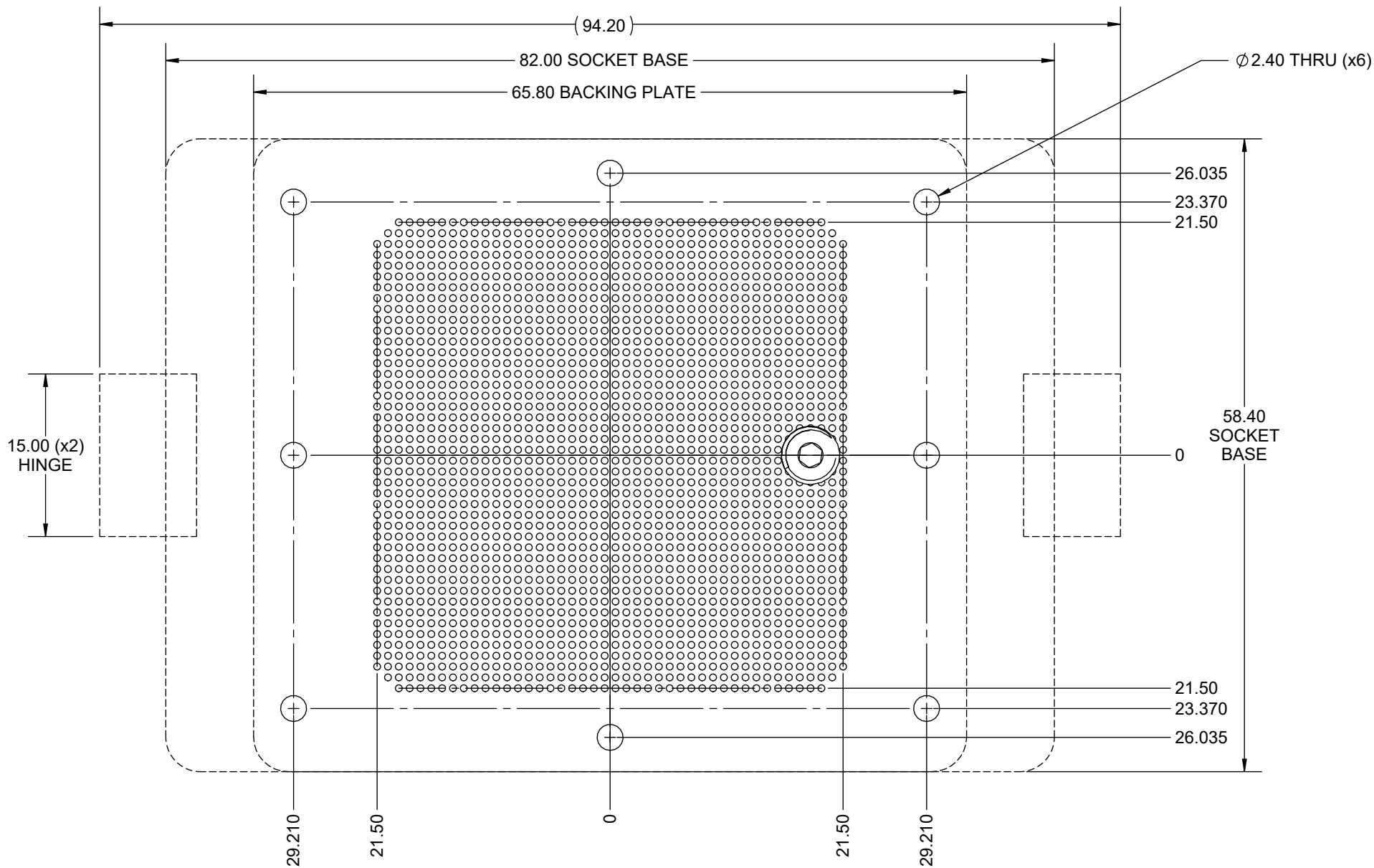
DETAIL B
 SCALE 2 : 1

Description: GTL-1924 for 45x45mm 44x44 1.00mm pitch w/ thermal head bracket (silver button elastomer)

Primary dimension units are millimeters, Secondary dimension units are [inches], Weight is in grams.

Tolerances: Hole diameters $\pm 0.0254\text{mm}$ [± 0.001 "]. Pitches (from true position) $\pm 0.0762\text{mm}$ [± 0.003 "], substrate thickness tolerance $\pm 10\%$, all other tolerances $\pm 0.127\text{mm}$ [± 0.005 "] unless stated otherwise. Materials and specifications are subject to change without notice.


 ©2017 Ironwood Electronics, Inc. Tele: (800) 404-0204 www.ironwoodelectronics.com	GT-BGA-2096 Drawing	Material: N/A Finish: N/A Weight: 408.33	STATUS: Released	SHEET: 1 OF 4	REV. A
			ENG: J. Vavra	DRAWN BY: M. Raske	SCALE: 1:2
			FILE: GT-BGA-2096 Dwg	DATE: 03/21/2017	

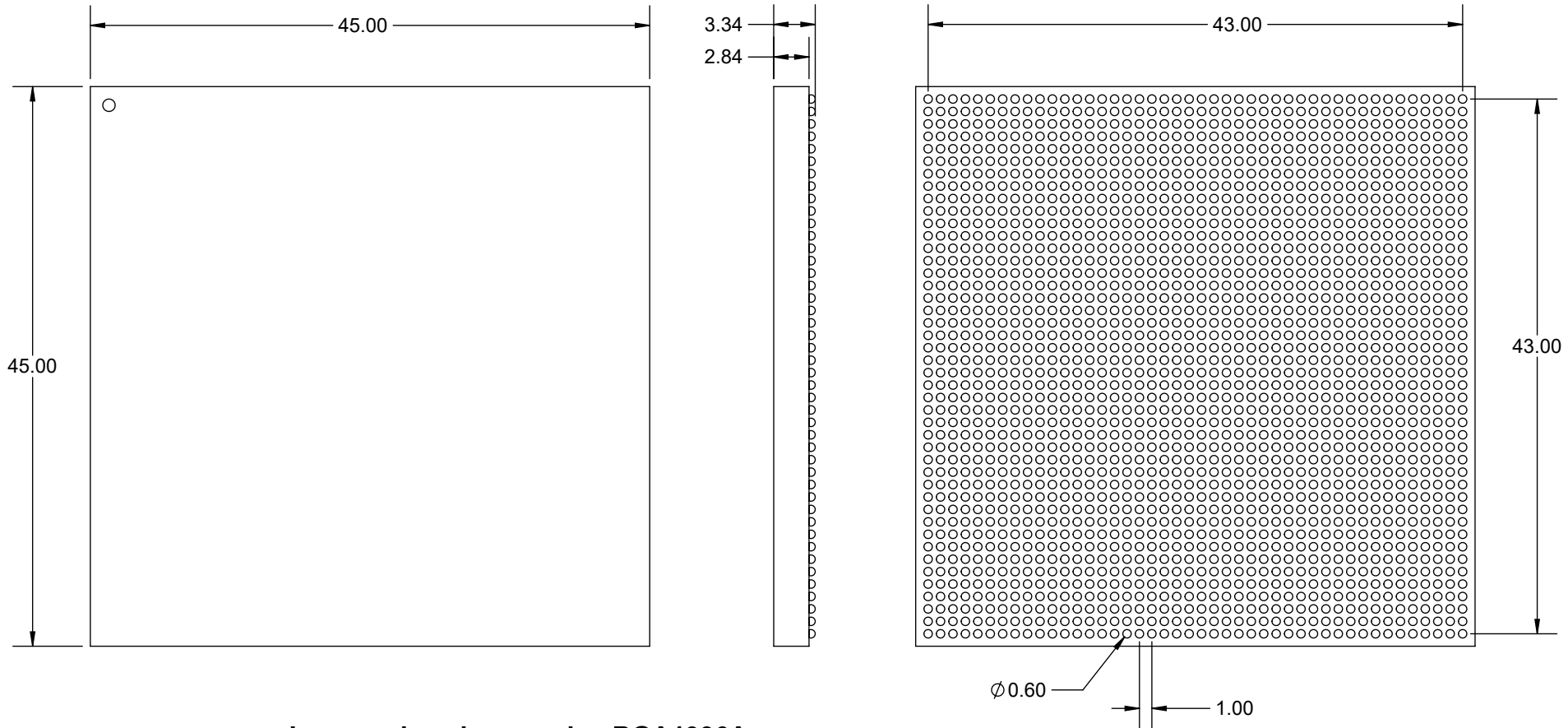


Description: Recommended PCB Layout

Primary dimension units are millimeters, Secondary dimension units are [inches], Weight is in grams.

Tolerances: Hole diameters $\pm 0.03\text{mm}$ [$\pm 0.001"$], Pitches (from true position) $\pm 0.025\text{mm}$ [$\pm 0.001"$], substrate thickness tolerance $\pm 10\%$, all other tolerances $\pm 0.13\text{mm}$ [$\pm 0.005"$] unless stated otherwise. Materials and specifications are subject to change without notice.

 GT-BGA-2096 Drawing ©2017 Ironwood Electronics, Inc. Tele: (800) 404-0204 www.ironwoodelectronics.com	Material: N/A Finish: N/A Weight: 408.33	STATUS: Released ENG: J. Vavra FILE: GT-BGA-2096 Dwg	SHEET: 2 OF 4 DRAWN BY: M. Raske DATE: 03/21/2017	REV. A SCALE: 2:1



Ironwood package code : BGA1936A


Dimensions are in millimeters.

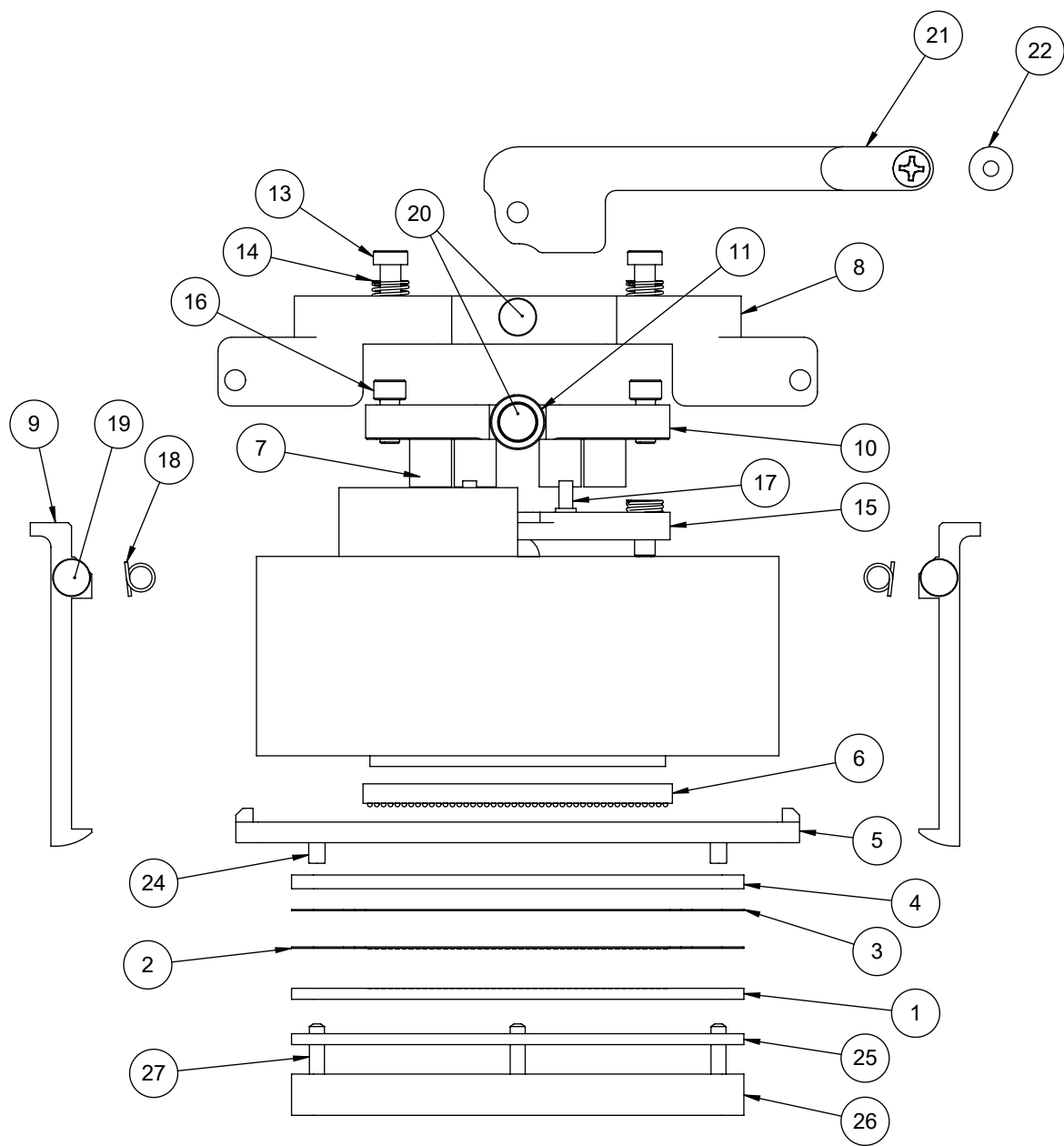
1. Interpret dimensions and tolerances per ASME Y14.5M-1994.
2. Dimension b is measured at the maximum solder ball diameter, parallel to datum plane Z.
3. Datum Z (seating plane) is defined by the spherical crowns of the solder balls.
4. Parallelism measurement shall exclude any effect of mark on top surface of package.

Description: Compatible Device

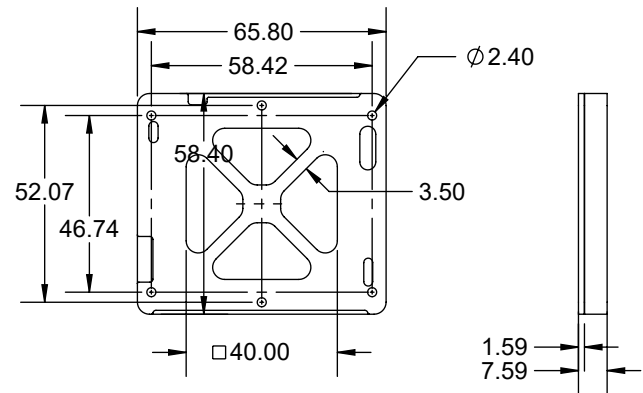
Primary dimension units are millimeters, Secondary dimension units are [inches], Weight is in grams.

Tolerances: Hole diameters $\pm 0.03\text{mm}$ [$\pm 0.001"$], Pitches (from true position) $\pm 0.025\text{mm}$ [$\pm 0.001"$], substrate thickness tolerance $\pm 10\%$, all other tolerances $\pm 0.13\text{mm}$ [$\pm 0.005"$] unless stated otherwise. Materials and specifications are subject to change without notice.

 GT-BGA-2096 Drawing ©2017 Ironwood Electronics, Inc. Tele: (800) 404-0204 www.ironwoodelectronics.com	Material: N/A Finish: N/A Weight: 408.33	STATUS: Released	SHEET: 3 OF 4	REV. A
		ENG: J. Vavra	DRAWN BY: M. Raske	SCALE: 2:1
		FILE: GT-BGA-2096 Dwg	DATE: 03/21/2017	




ITEM NO.	DESCRIPTION	Material
1	TPCB 45x45mm 44x44 1.00mm pitch BGA1924A	FR4 Standard
2	GT elastomer for 45x45mm 44x44 1.00mm pitch BGA1924A	N/A
3	Ball Guide 45x45mm 44x44 1.00mm pitch BGA1924A	Kapton Polyimide/Cirlex
4	IC Guide 45x45mm 44x44 1.00mm pitch BGA1924A	Torlon 4203
5	Socket Base for 45mm device	7075-T6 Aluminum Alloy
6	TChip for 45x45mm 44x44 1.00mm pitch BGA1924A	FR4 Standard
7	Compression spring	
8	Socket Lid 45x45mm 44x44 1.00mm pitch BGA1924A	7075-T6 Aluminum Alloy
9	Latch, 45mm Tall, 15mm Wide, T-Bar Top, 3mm Hinge	7075-T6 Alumium Alloy
10	Top Compression 45x45mm 44x44 1.00mm pitch BGA1924A	7075-T6 Aluminum Alloy
11	Bearing 3mm shaft, 8mm OD, 4mm Width	
12	Left lever handle for C16585	7075-T6 Aluminum Alloy
13	Shoulder Screw 18-8 SS, 3mm Dia x 6mm Long Shoulder, M2 Thread	Stainless Steel (18-8)
14	Spring Clamshell lid assembly	Steel Music Wire
15	Bottom compression plate 45x45mm 44x44 1.00mm pitch BGA1924A	7075-T6 Aluminum Alloy
16	Screw, #4-40 X .25", Cap	Alloy Steel
17	18 SS Shoulder Screw, 3 mm Dia. x 2mm Long Shoulder, M2 Thread	18-8 Stainless Steel
18	180° Torsion Spring for 3mm pin	Steel Music Wire
19	Hinge Pin and Snap Ring, 3mm OD, 30mm long, 1045 Stl, Blk Oxide	AISI 1045 Steel, cold drawn
20	Hinge Pin and Snap Ring, 3mm OD, 25mm long, SS	Stainless Steel (ferritic)
21	Right lever handle for C16585	7075-T6 Aluminum Alloy
22	Aluminum Female Threaded Round Stand off 1/4" OD x 1.5" Length #4-40	7075-T6 Aluminum Alloy
23	Flat Hd phillips 4-40 x 5/16" long 82deg hd	
24	Dowel Pin 3/32" Diameter, 3/16" Length 18-8 SS	Stainless Steel (18-8)
25	Insulation Plate 45x45mm 44x44 1.00mm pitch BGA1924A	FR5 / G11 Black
26	Backing Plate 45x45mm 44x44 1.00mm pitch BGA1924A	7075-T6 Aluminum Alloy
27	2-56 x 7/16" socket head cap screw SS 18-8	
28	Thermal Head	Material <not specified>



Description: Socket, Backing Plate Detail

Primary dimension units are millimeters, Secondary dimension units are [inches], Weight is in grams.

Tolerances: Hole diameters ±0.03mm [±0.001"], Pitches (from true position) ±0.025mm [±0.001"], substrate thickness tolerance ±10%, all other tolerances ±0.13mm [±0.005"] unless stated otherwise. Materials and specifications are subject to change without notice.

 GT-BGA-2096 Drawing ©2017 Ironwood Electronics, Inc. Tele: (800) 404-0204 www.ironwoodelectronics.com	Material: N/A Finish: N/A Weight: 408.33	STATUS: Released ENG: J. Vavra FILE: GT-BGA-2096 Dwg	SHEET: 4 OF 4 DRAWN BY: M. Raske DATE: 03/21/2017	REV. A SCALE: 1:1