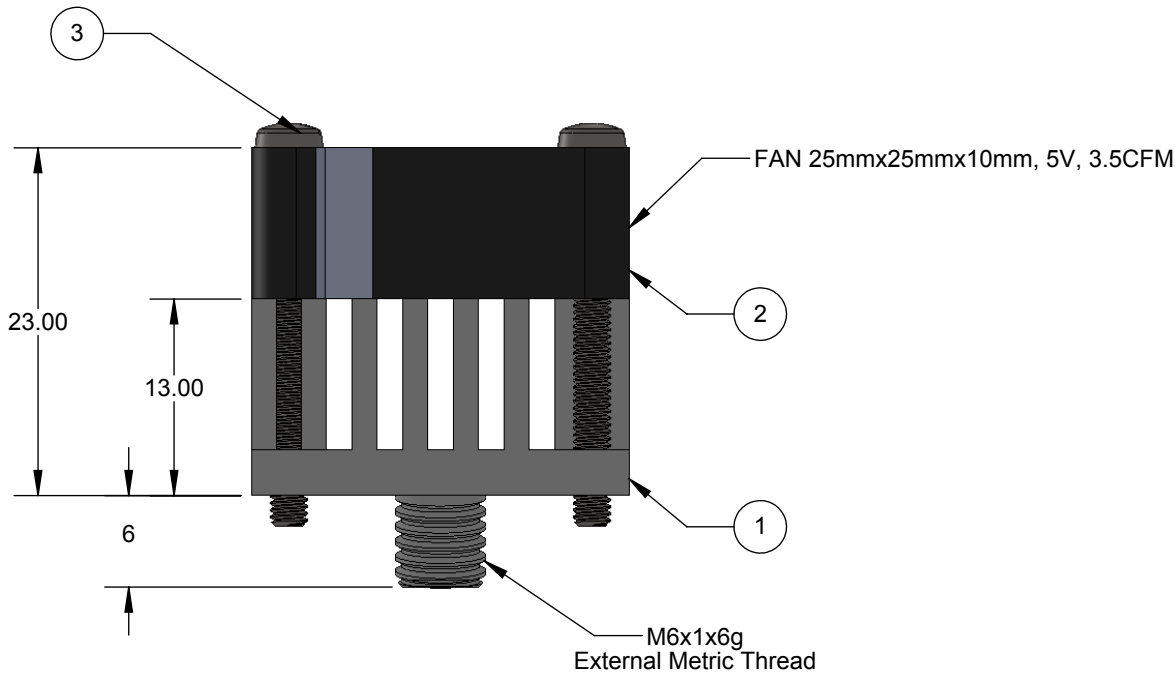
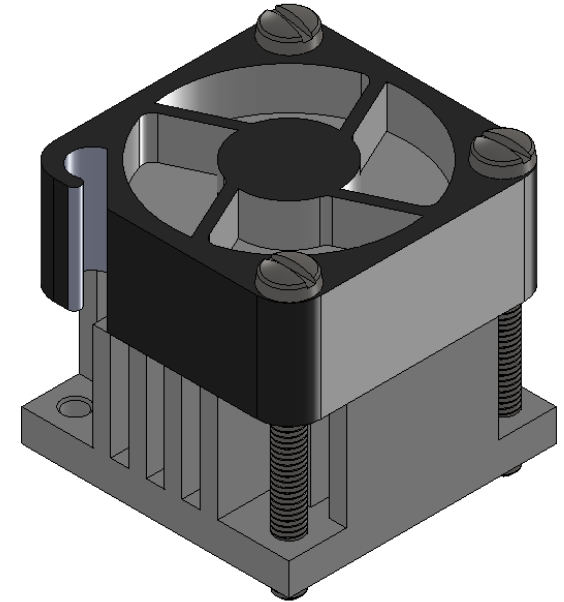
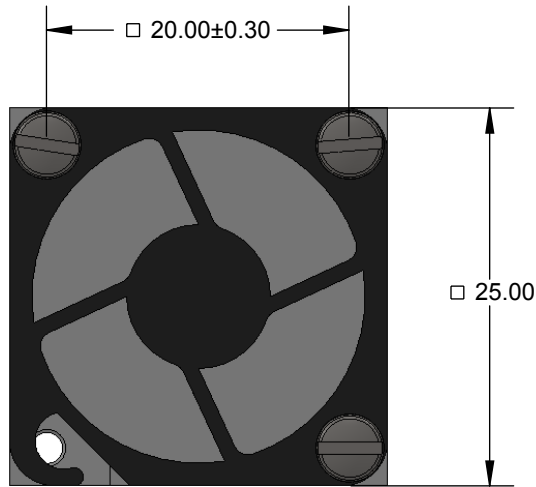


This heat sink compression screw is compatible with all Ironwood low profile swivel lid sockets for IC sizes <10mm and socket lids with M6 threads.

Heat sink is rated for 3-7W




ITEM NO.	DESCRIPTION	Material
1	M6 Heat Sink compression screw	7075-T6 Alumium Alloy
2	Fan (Sunon 25mm)	Material <not specified>
3	Socket Cap Screw, M2.5x0.45, 25mm lg, 12.9 Alloy	Stainless Steel (18-8)

Doc Rev	Date	Initials	Description
A	01/16/13	DH	Original

Description: heat Sink Comp. Scrw SG M6 3-7W

Primary dimension units are millimeters, Secondary dimension units are [inches], Weight is in grams.

Tolerances: Hole diameters ±0.03mm [±0.001"], Pitches (from true position) ±0.025mm [±0.001"], substrate thickness tolerance ±10%, all other tolerances ±0.13mm [±0.005"] unless stated otherwise. Materials and specifications are subject to change without notice.

 HS-SG-6005 Drawing Ironwood Electronics, Inc. Tele: (800) 404-0204 www.ironwoodelectronics.com	Material: N/A Finish: N/A Weight: 18.30	STATUS: Released DRAWN BY: D. Hauer FILE: HS-SG-6005	SHEET: 1 OF 1 SCALE: 2:1 DATE: 01/16/13	REV. A
---	---	--	---	--------