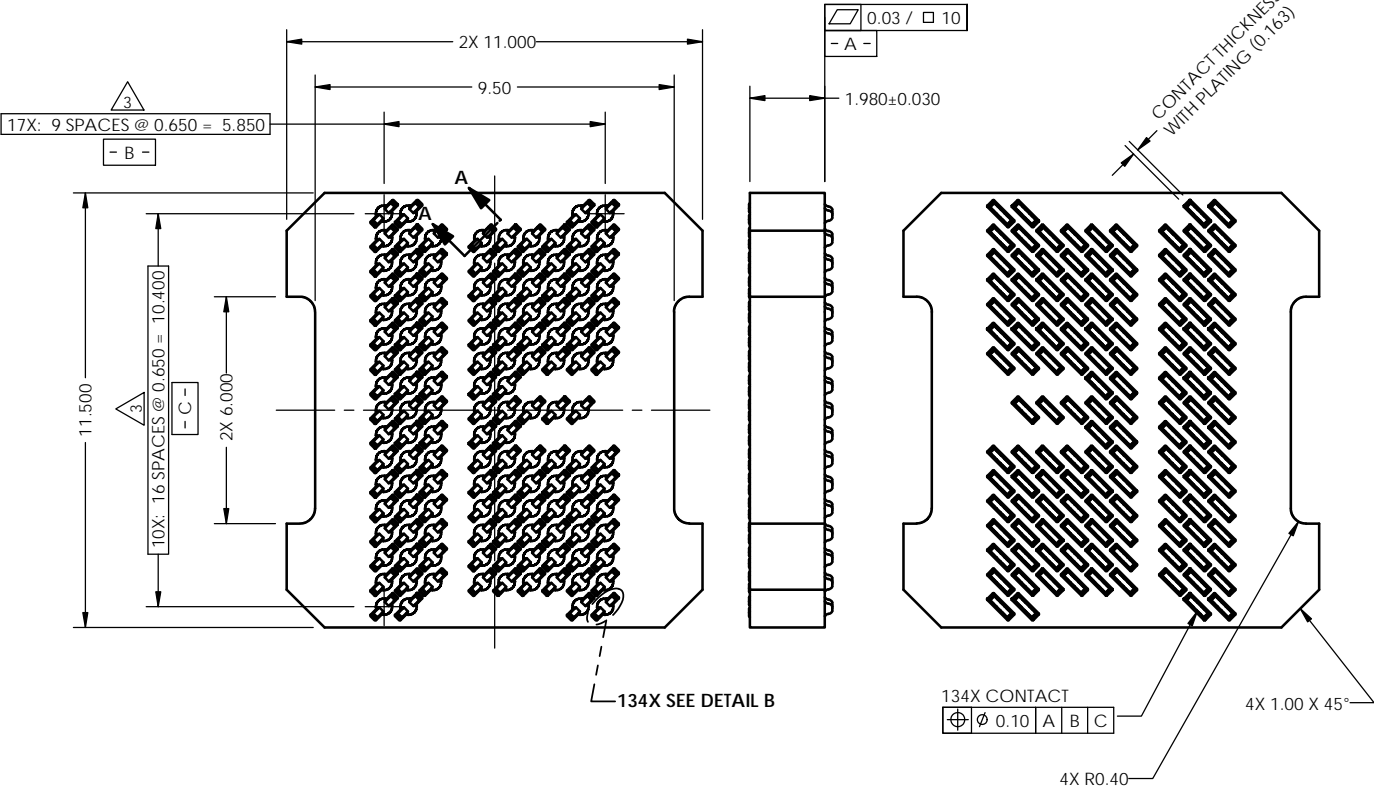
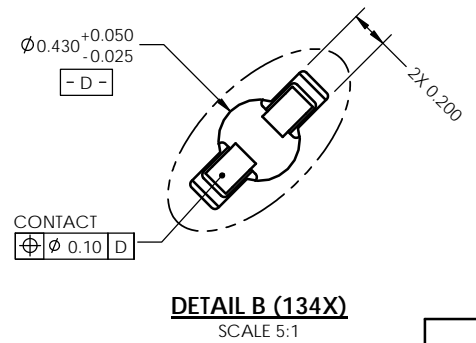
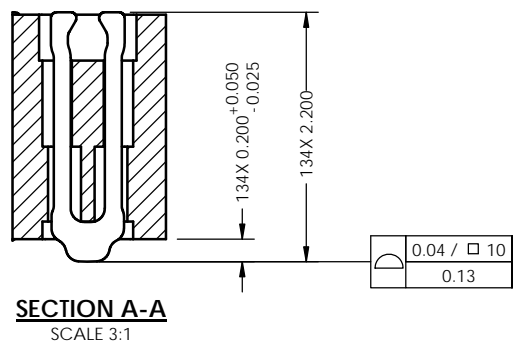


REV	ECO	BY	DESCRIPTION	APV	DATE
A	30630	SK	Initial Design	MP	11/19/10
B	31258	AS	Updated title block	MP	02/20/13



- Notes:
- Footprint part number is 104311-0258.
 - Unless otherwise noted, all features located $\text{M} \oplus 0.10 \text{ A B C}$
 - \triangle Locates center of contact slots.
 - Datums B and C determined by $\text{O} \phi 0.430$ opening in corner slots.



PARTS LIST	
Part Number	Description
104946-0010	SCKT, 134GRY11X11.5-0.65
104947-0010	CS, 134GRY11X11.5-0.65
103864-0061	PRESS, DEV INS, 11X11.5 (SOLD SEP.)
104553-0196	STEN,FLEX, 134GRY11X11.5-0.65 (SOLD SEP.)

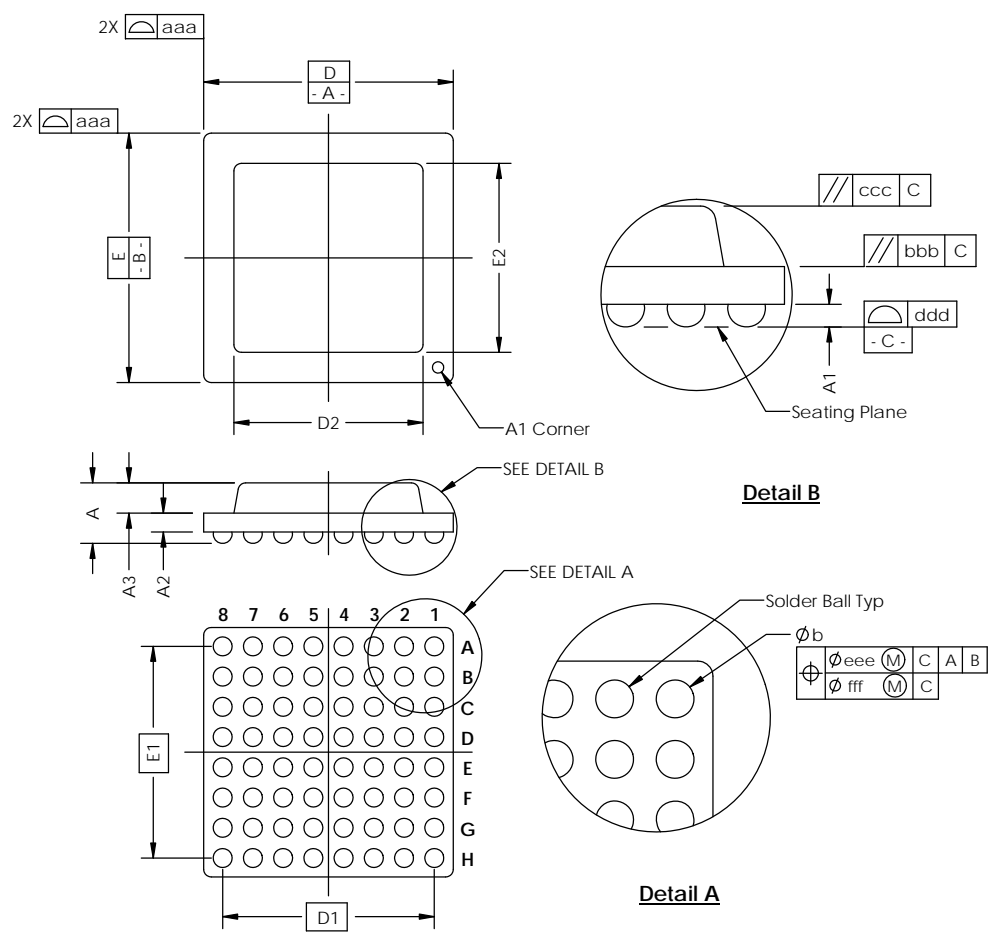
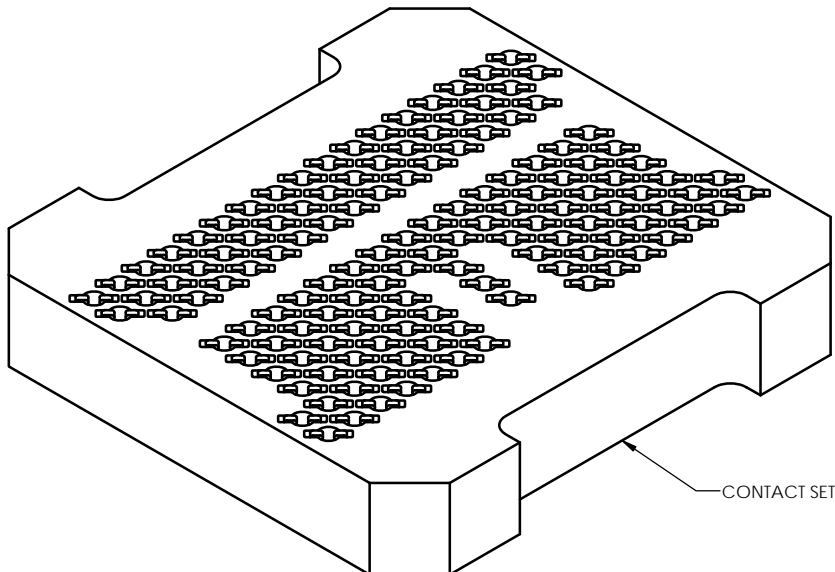
UNLESS OTHERWISE SPECIFIED:		NAME	DATE
DIMENSIONS ARE IN MILLIMETERS		SK	11/19/10
TOLERANCES:		MP	11/19/10
ANGULAR: ±1°		LEGEND:	
X.X ±0.25		△ NOTE CALLOUT	
X.XX ±0.10		○ REVISION CHANGE	
X.XXX ±0.050		○ ITEM NUMBER	
INTERPRET GEOMETRIC TOLERANCING PER:		TITLE:	
MATERIAL:		SCKT, 134GRY11X11.5-0.65	
SEE BOM		DWG. NO.	
FINISH:		104946-0010	
DO NOT SCALE DRAWING		REV	
		B	

THE INFORMATION CONTAINED IN THIS DRAWING IS THE SOLE PROPERTY OF HSIO TECHNOLOGIES, LLC. ANY REPRODUCTION IN PART OR AS A WHOLE WITHOUT THE WRITTEN PERMISSION OF HSIO TECHNOLOGIES, LLC IS PROHIBITED.

SCALE: 10:1 SIZE: C SHEET 1 OF 2

SOCKET FOR DEVICES THAT ARE WITHIN THESE SPECIFICATIONS					
Lead Count	N	134	Package Size	D	11.00
Columns	ND	10		E	11.50
Rows	NE	17	Ball Spacing	D1	5.85
Pitch	e	0.65		E1	10.40
Ball Size	b	0.35±0.05	Encapsulant/ Top Size	D2	n/a
Total Thickness	A	n/a	Pattern Style	E2	n/a
Ball Height	A1	0.25 Min			
Substrate Thickness	A2	n/a	Perimeter Rows		n/a
Top Thickness	A3	n/a	Center Array		n/a
Form Tolerances					
Edge	aaa	0.20	Bottom	ddd	0.15
Substrate	bbb	0.20	Position	eee	0.20
Top	ccc	0.20	Position	fff	0.08

All dimensions are in millimeters.
*See footprint specification for pattern details.



Generic Representation with Full Grid Array

PROPRIETARY AND CONFIDENTIAL

THE INFORMATION CONTAINED IN THIS DRAWING IS THE SOLE PROPERTY OF HSIO TECHNOLOGIES, LLC. ANY REPRODUCTION IN PART OR AS A WHOLE WITHOUT THE WRITTEN PERMISSION OF HSIO TECHNOLOGIES, LLC IS PROHIBITED.

UNLESS OTHERWISE SPECIFIED:	NAME	DATE	HSIO TECHNOLOGIES, LLC. 13300 67th AVENUE NORTH MAPLE GROVE, MINNESOTA 55311 763-447-6260	
DIMENSIONS ARE IN MILLIMETERS	DRAWN	SK		11/19/10
TOLERANCES: ANGULAR: ± 1° XX ±0.25 X.XX ±0.10 X.XXX ±0.050	CHECKED	MP		11/19/10

LEGEND:
 △ NOTE CALLOUT
 ○ REVISION CHANGE
 ○ ITEM NUMBER

TITLE: SCKT, 134GRY11X11.5-0.65

DWG. NO.	REV
104946-0010	B

SCALE: 10:1 SIZE: C SHEET 2 OF 2