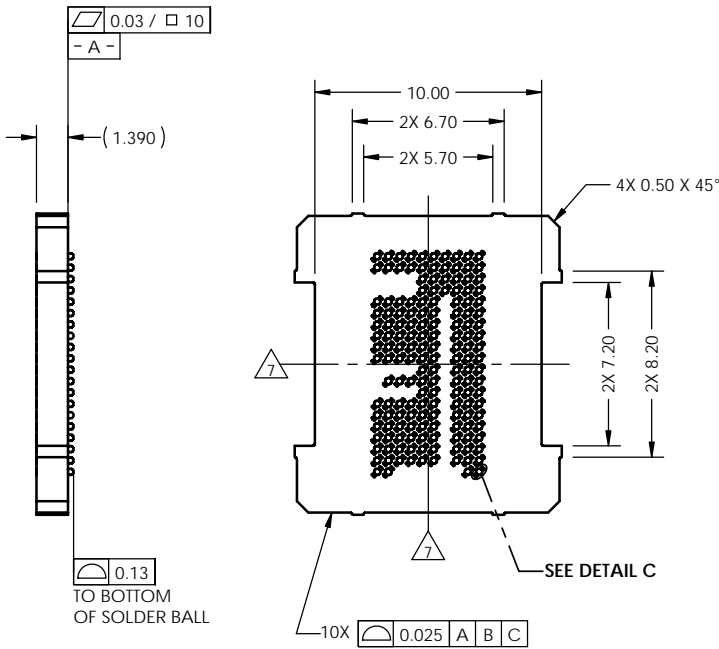
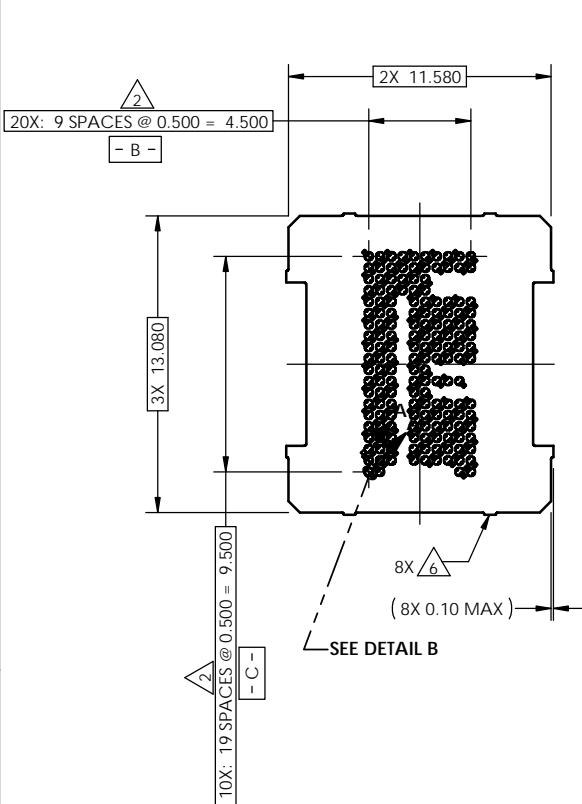
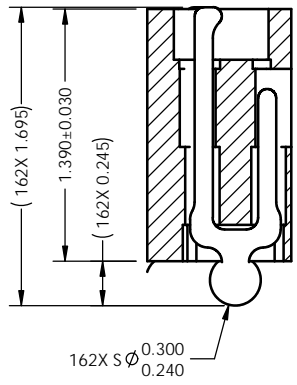


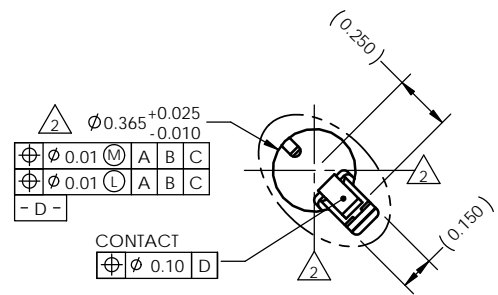
REV	ECO	BY	DESCRIPTION	APV	DATE
A	30742	SK	Initial Design	MP	03/22/11



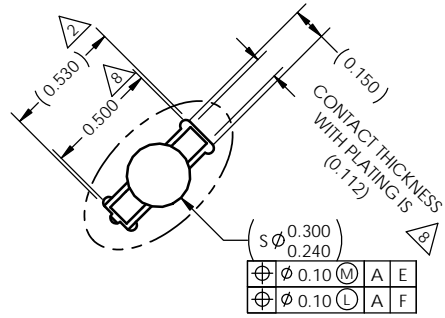
- Notes:
- Reference HSI0 Technologies specification 103862-0004 for solder attachment.
 - Dimension locates center of contact/ slot.
 - Reference HSI0 Technologies specification 103863-0001 for application notes.
 - Footprint part number is 104311-0273.
 - Datums -B- and -C- are determined by $\phi 0.365$ features on corner slots.
 - Tooling marks permitted. Maximum 0.10 protrusion (shown).
 - E- Center of contact pattern.
 - F- Center of contact.



SECTION A-A
SCALE 8:1



DETAIL B (162X)
SCALE 10:1



DETAIL C (162X)
SCALE 10:1

Part Number	Description
107250-0023	SCKT, 162G4011.5X13-0.50
103864-0128	PRESS, DEVICE INSERT, GRYP 11.5 X 13 (SOLD SEPARATELY)
105900-0004	EXTRACTION TOOL, 4 X 53 (SOLD SEPARATELY)
104553-0206	STEN FLEX, 162G4011.5X13-0.50 (SOLD SEPARATELY)

HSIO technologies
PROPRIETARY AND CONFIDENTIAL

THE INFORMATION CONTAINED IN THIS DRAWING IS THE SOLE PROPERTY OF HSI0 TECHNOLOGIES, LLC. ANY REPRODUCTION IN PART OR AS A WHOLE WITHOUT THE WRITTEN PERMISSION OF HSI0 TECHNOLOGIES, LLC IS PROHIBITED.

UNLESS OTHERWISE SPECIFIED:

DIMENSIONS ARE IN MILLIMETERS
TOLERANCES:
ANGULAR ± 1°
X.X ±0.25
X.XX ±0.10
X.XXX ±0.050

INTERPRET GEOMETRIC TOLERANCING PER:
MATERIAL
SEE BOM
FINISH

DO NOT SCALE DRAWING

NAME	DATE
DRAWN S. Klander	03/22/11
CHECKED M. Peery	03/22/11
LEGEND:	
△	NOTE CALLOUT
○	REVISION CHANGE
○	ITEM NUMBER

HSIO TECHNOLOGIES, LLC.
13300 67th AVENUE NORTH
MAPLE GROVE, MINNESOTA 55311
763-447-6260

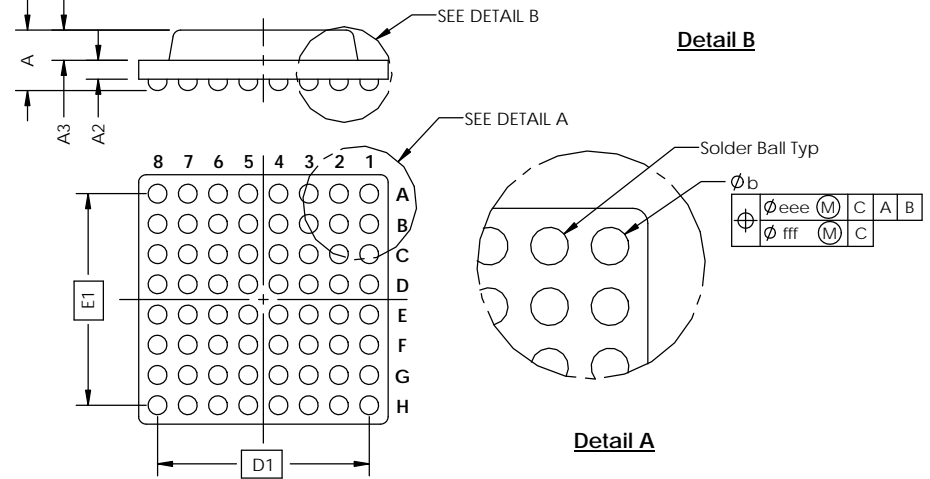
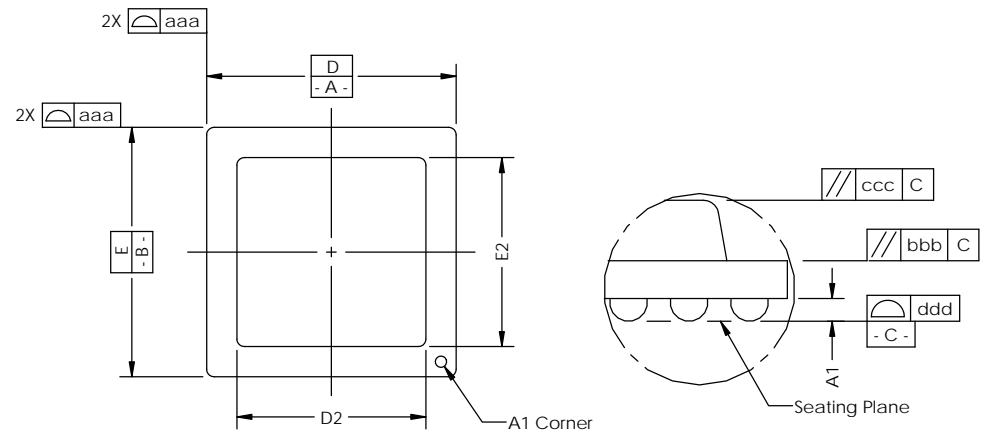
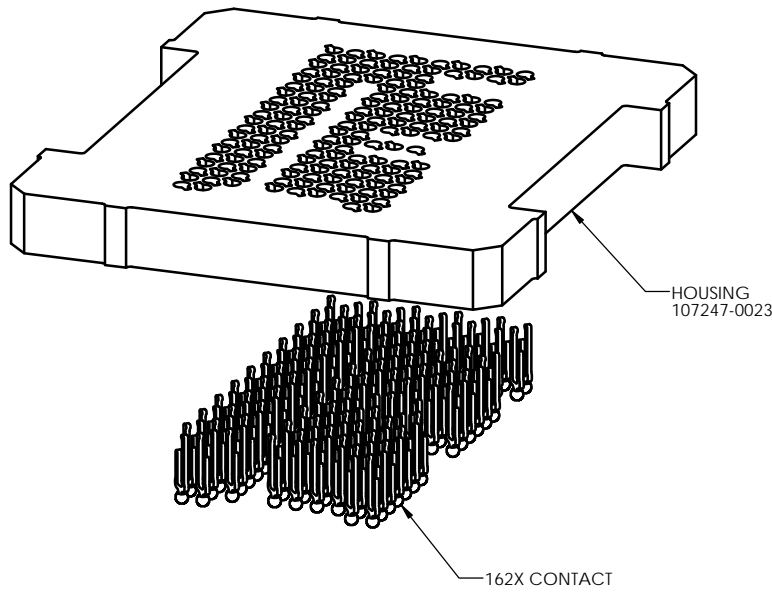
TITLE:
SCKT, 162G4011.5X13-0.50

DWG. NO. **107250-0023** REV **A**


SCALE: 5:1 SIZE: C SHEET 1 OF 2

SOCKET FOR DEVICES THAT ARE WITHIN THESE SPECIFICATIONS					
Lead Count	N	162	Package Size	D	11.50
Columns	ND	10		E	13.00
Rows	NE	20	Ball Spacing	D1	4.500
Pitch	e	0.50		E1	9.500
Ball Size	b	0.30±0.05	Encapsulant/ Top Size	D2	n/a
Total Thickness	A	n/a		E2	n/a
Ball Height	A1	0.225 MIN	Pattern Style	IRREGULAR*	
Substrate Thickness	A2	n/a	Perimeter Rows	N/A	
Top Thickness	A3		Center Array	N/A	
Form Tolerances					
Edge	aaa	0.10	Bottom	ddd	0.08
Substrate	bbb	0.10	Position	eee	0.15
top	ccc	0.10	Position	fff	0.05

All dimensions are in millimeters.
* See footprint for pattern details.



Generic Representation with Full Grid Array

PROPRIETARY AND CONFIDENTIAL			
THE INFORMATION CONTAINED IN THIS DRAWING IS THE SOLE PROPERTY OF HSIO TECHNOLOGIES, LLC. ANY REPRODUCTION IN PART OR AS A WHOLE WITHOUT THE WRITTEN PERMISSION OF HSIO TECHNOLOGIES, LLC IS PROHIBITED.			
UNLESS OTHERWISE SPECIFIED:	NAME	DATE	HSIO TECHNOLOGIES, LLC. 13300 67th AVENUE NORTH MAPLE GROVE, MINNESOTA 55311 763-447-6260
DIMENSIONS ARE IN MILLIMETERS TOLERANCES: ANGULAR: ± 1° X.X ±0.25 X.XX ±0.10 X.XXX ±0.050	DRAWN S. Klander	03/22/11	
LEGEND: △ NOTE CALLOUT ○ REVISION CHANGE ○ ITEM NUMBER	CHECKED M. Peery	03/22/11	
 HSIO technologies		TITLE: SCKT, 162G4011.5X13-0.50	
		DWG. NO.	REV
		107250-0023	A
		SCALE: 5:1	SIZE: C SHEET 2 OF 2