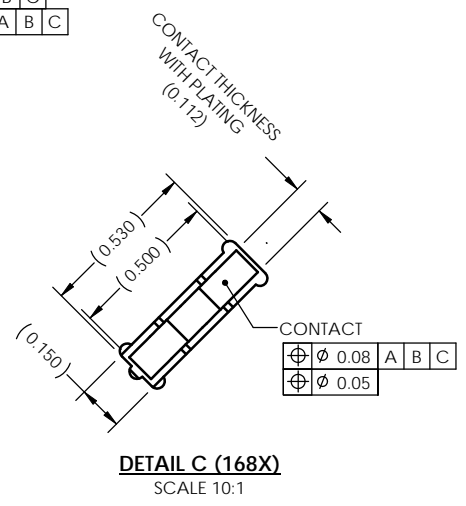
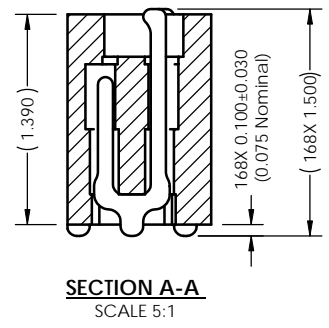
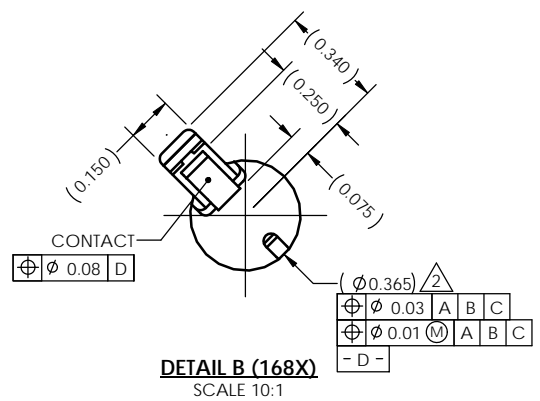
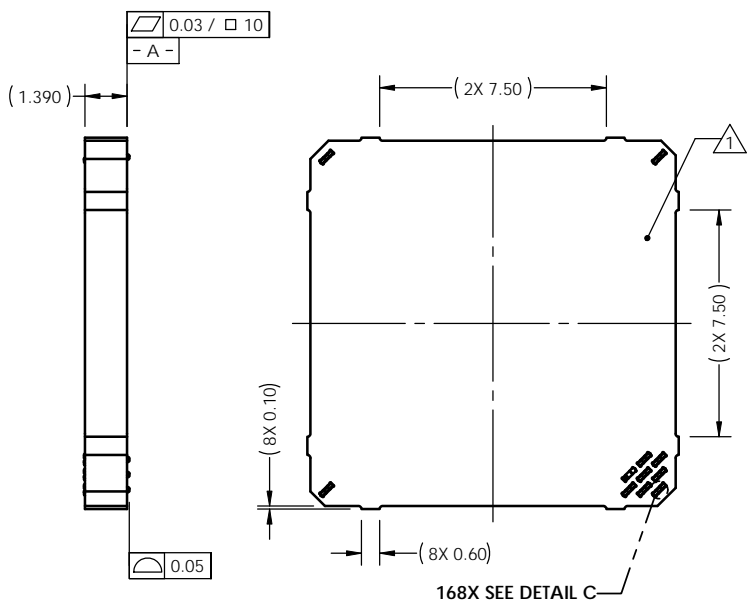
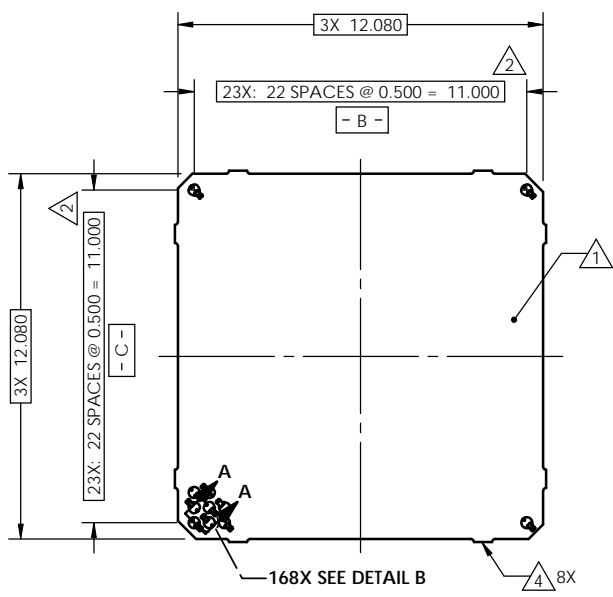


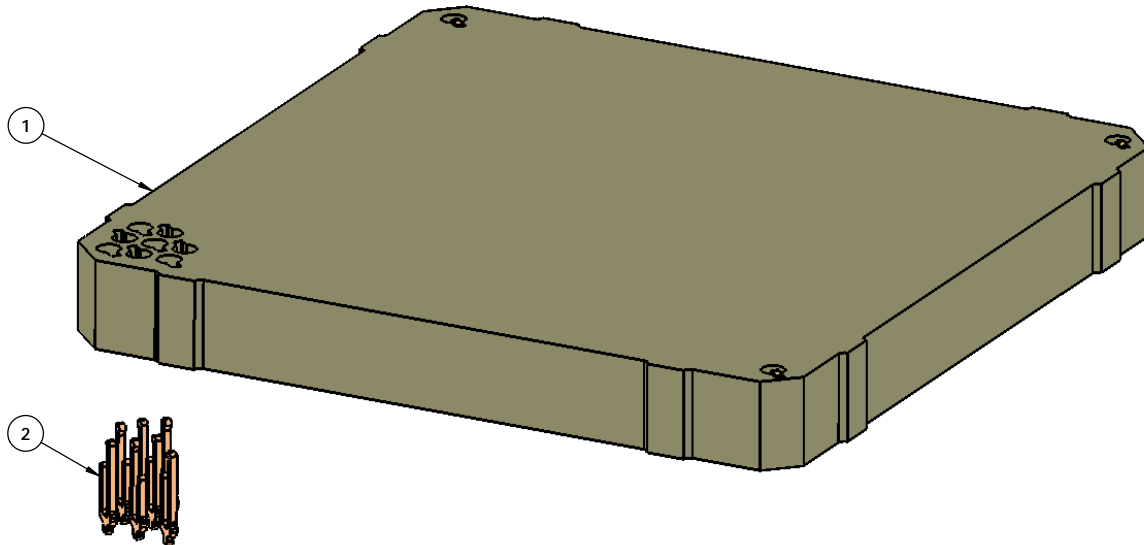
REV	ECO	BY	DESCRIPTION	APV	DATE
A	---	AH	Initial design	MC	11/02/09
B	---	AH	1) Added datums	MC	11/18/09
C	---	AS	Added tooling marks to housing and added note 4	MC	11/30/09



- Notes:
- 1) Most slots and contacts not shown to reduce file size.
 - 2) Dimension locates center of contact/slot.
 - 3. Datums B and C are determined by $\phi 0.365$ features on corner slots.
 - 4) Tooling marks permitted. Maximum 0.10 protrusion (shown).

UNLESS OTHERWISE SPECIFIED DIMENSIONS ARE IN MILLIMETERS DIM'S APPLY AFTER PLATING TOLERANCES UNLESS OTHERWISE NOTED:		THE INFORMATION CONTAINED IN THIS DRAWING IS THE SOLE PROPERTY OF CASCADE MICROTECH, INC. ANY REPRODUCTION IN PART OR WHOLE WITHOUT THE WRITTEN PERMISSION OF CASCADE MICROTECH, INC. IS PROHIBITED.	
CAD GENERATED DRAWING DO NOT MANUALLY UPDATE		7115 NORTHLAND TERRACE SUITE 400 BROOKLYN PARK, MN 55428 (763) 509-0066	
DRAWING APPROVALS		CASCAD MICROTECH	
DESIGN A. Hawkins	DATE 11/2/09	CS, 168G40 12-0.5, W/O SOLDER BALLS	
APPROV M. Cavegn	DATE 11/2/09		
LEGEND:		SCALE C	DATE 11/2/09
NOTE CALLOUT		THIRD ANGLE PROJECTION	
REVISION CHANGE		SCALE SEE BOM	
ITEM NUMBER		SHEET 1 of 2	

8 7 6 5 4 3 2 1



PARTS LIST			
ITEM NO.	QTY.	PART NUMBER	Description
1	1	107247-0001	HSG, 168G40 12-0.50
2	168	104468-0015	CONTACT, GRYH, HALF

THE INFORMATION CONTAINED IN THIS DRAWING IS THE SOLE PROPERTY OF CASCADE MICROTECH, INC. ANY REPRODUCTION IN PART OR WHOLE WITHOUT THE WRITTEN PERMISSION OF CASCADE MICROTECH, INC. IS PROHIBITED.

UNLESS OTHERWISE SPECIFIED
 - DIMENSIONS ARE IN MILLIMETERS
 - DIMS APPLY AFTER PLATING
 TOLERANCES UNLESS OTHERWISE NOTED: DECIMALS
 ANGLES X.X ±0.25
 X.XX ±0.10
 X.XXX ±0.050

7115 NORTHLAND TERRACE SUITE 400
 BROOKLYN PARK, MN 55428
 (763) 509-0066

CASCADE
 MICROTECH

CS, 168G40 12-0.5, W/O SOLDER BALLS

LEGEND:
 (X) NOTE CALLOUT
 (A) REVISION CHANGE
 (X) ITEM NUMBER

REV	DATE	DESCRIPTION	BY
C		SOLIDWORKS	C

SCALE: See Page 1

SHEET 2 of 2

8 7 6 5 4 3 2 1