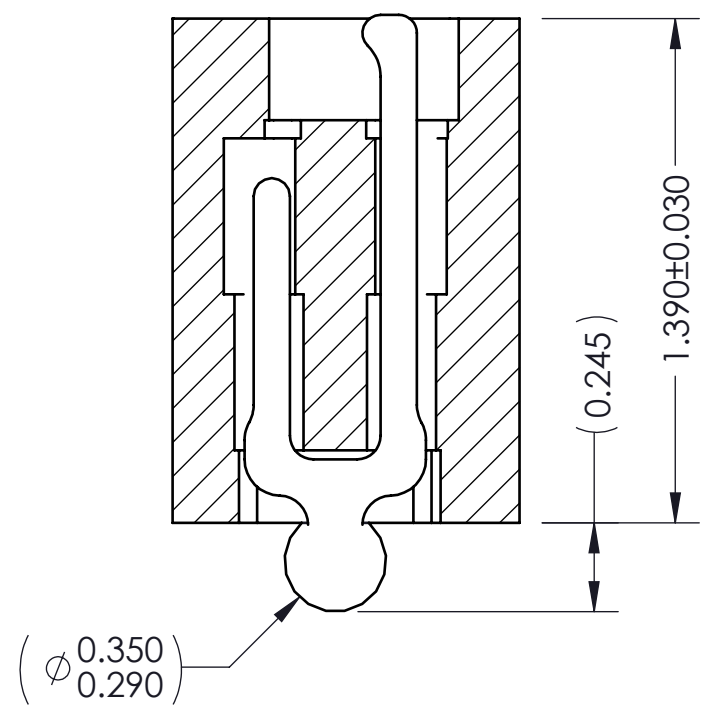
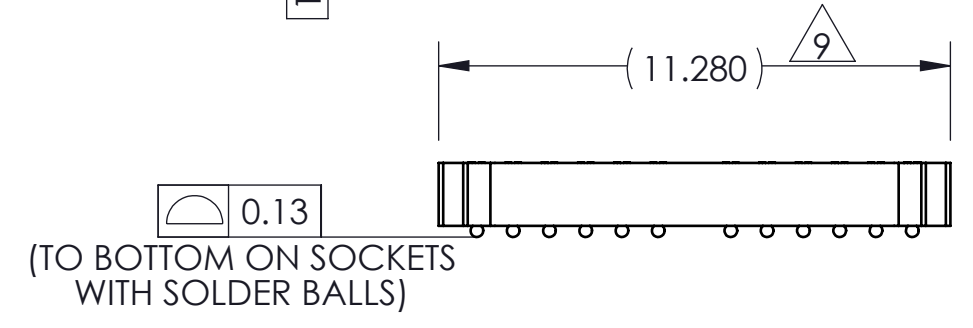
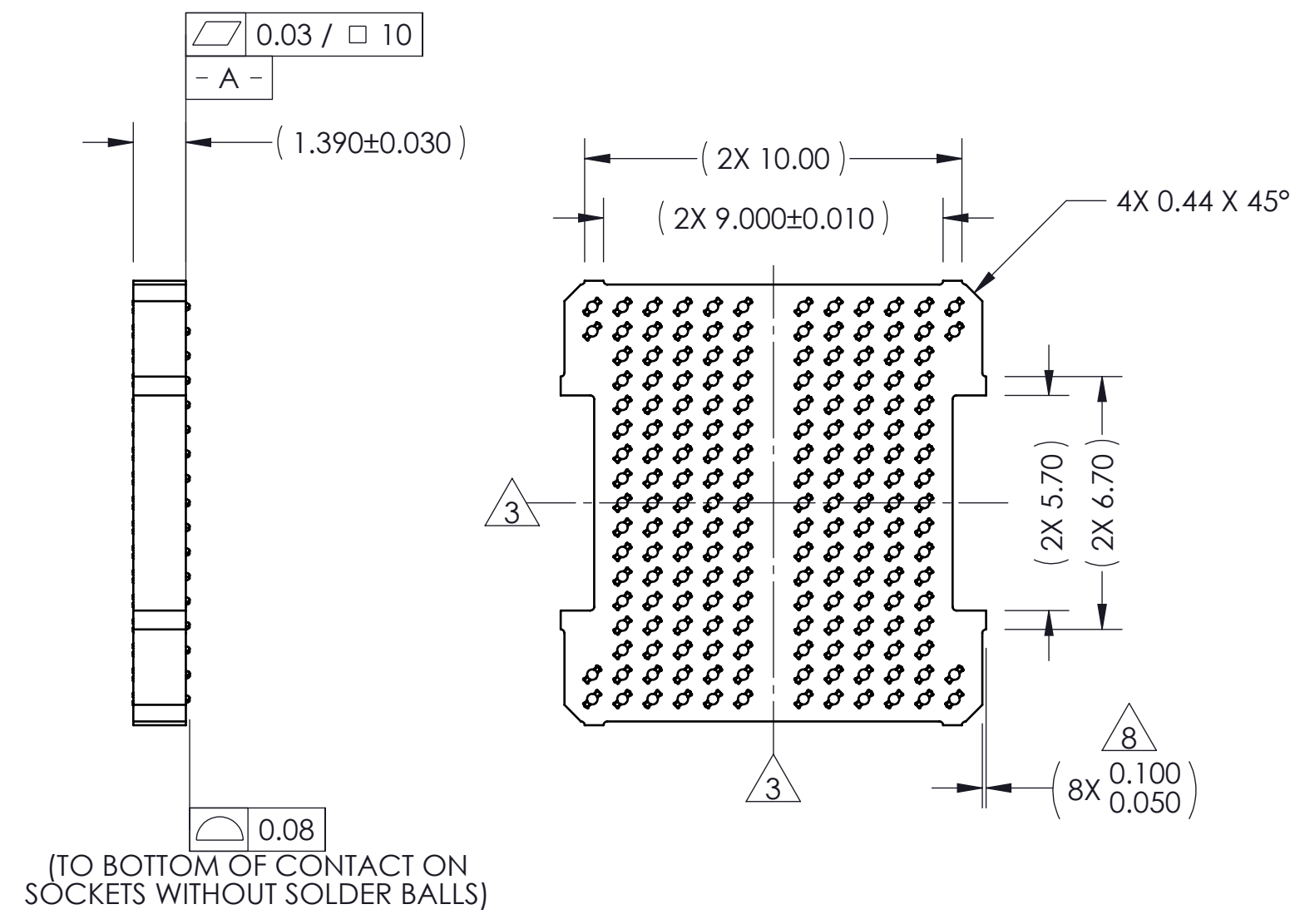
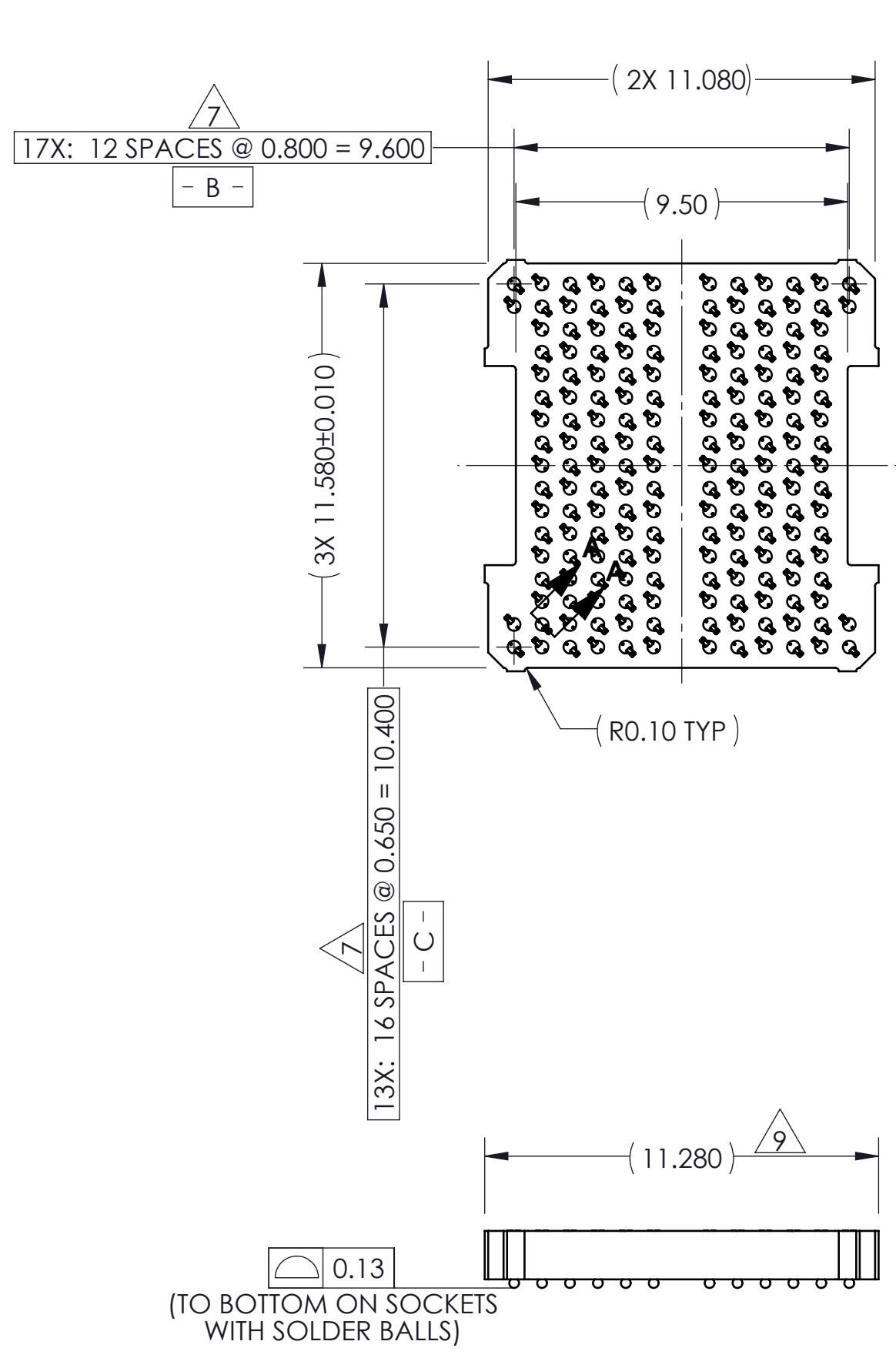


REV	ECO	BY	DESCRIPTION	APV	DATE
A	31576	RS	Initial Design	NSJ	12/11/14



SECTION A-A
SCALE 8:1

PART NUMBER	DESCRIPTION
109025-0001	SCKT, 178G40 11X11.5-0.8X0.65 (EUTECTIC SOLDER BALL)
109025-0002	SCKT, 178G40 11X11.5-0.8X0.65 (SAC305 SOLDER BALL)
109025-0003	SCKT, 178G40 11X11.5-0.8X0.65 (WITHOUT SOLDER BALL)
103864-0061	PRESS DEVICE INSERT, 11X11.5 (SOLD SEPARATELY)
104553-0369	STENCIL, FLEX, 178G40 11X11.5-0.8X0.65 (SOLD SEPARATELY)
105900-0004	EXTRACTION TOOL, 4 X 53 (SOLD SEPARATELY)
108639-0045	ALIGNMENT, FRAME, G40 11X11.5 (SOLD SEPARATELY)

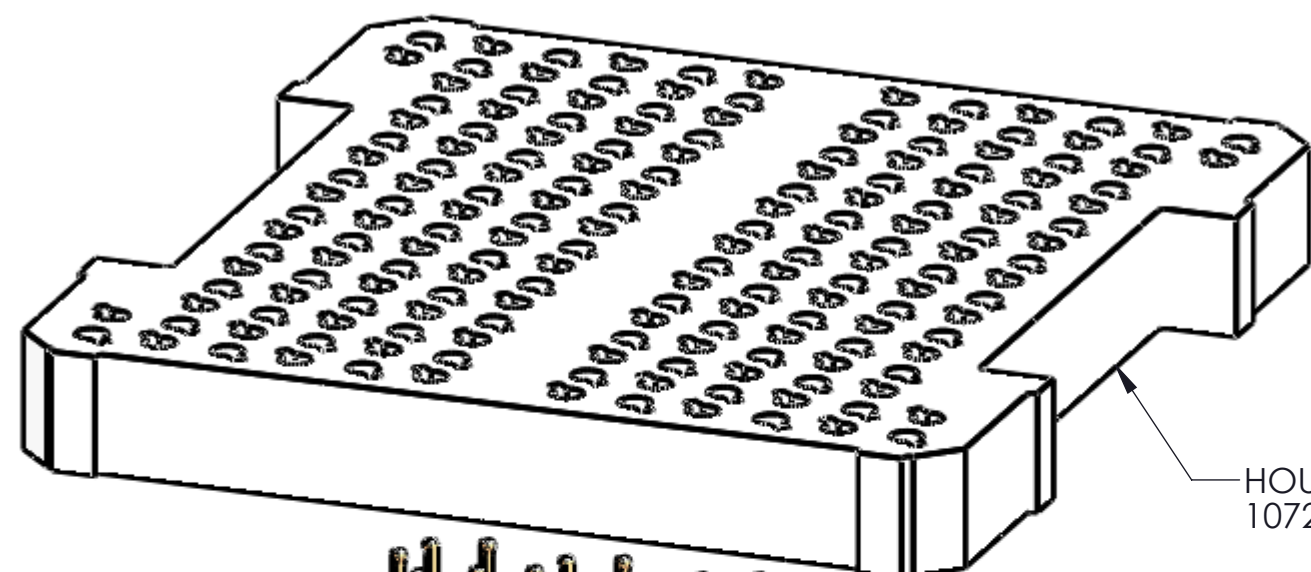
Notes:

- 1 Unless otherwise noted, all features located $\oplus 0.10$ A B C
- 2 Datum's - B - and - C - are determined by $\phi 0.365$ features on corner slots.
- 3 Center of contact pattern.
- 5 Reference HSIO Technologies specification 700001-0001 for solder attachment.
- 6 Reference HSIO Technologies specification 700001-0002 for application notes.
- 7 Dimension locates center of contact/slot.
- 8 Tooling marks permitted. Maximum 0.100 protrusion shown.
- 9 Dimension includes 0.100 protrusion

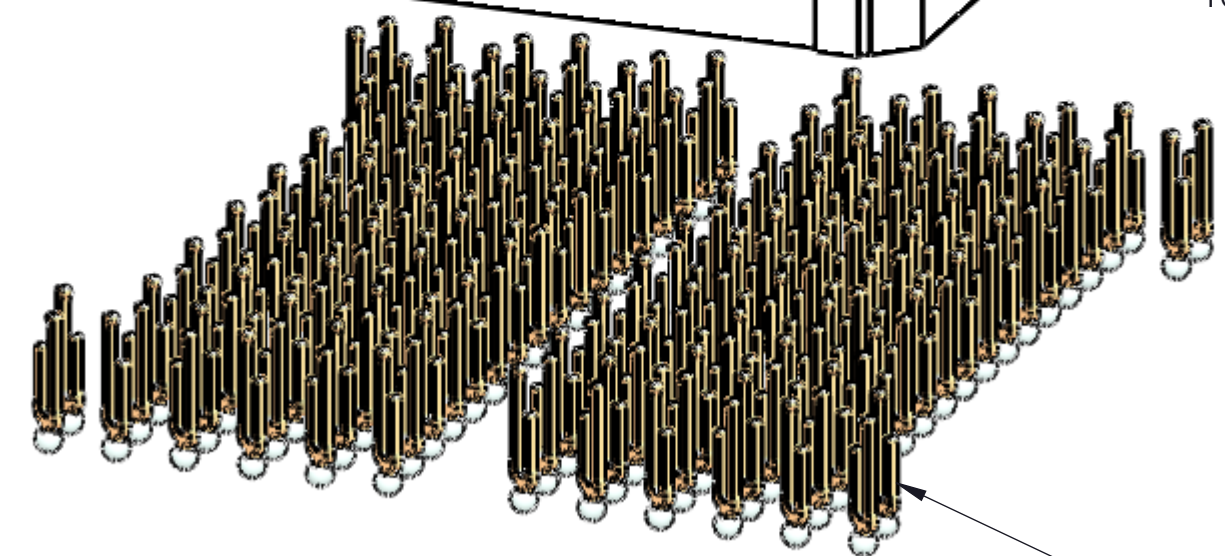
<p>HSIO technologies PROPRIETARY AND CONFIDENTIAL</p> <p>THE INFORMATION CONTAINED IN THIS DRAWING IS THE SOLE PROPERTY OF HSIO TECHNOLOGIES, LLC. ANY REPRODUCTION IN PART OR AS A WHOLE WITHOUT THE WRITTEN PERMISSION OF HSIO TECHNOLOGIES, LLC IS PROHIBITED.</p>	UNLESS OTHERWISE SPECIFIED:	NAME	DATE	HSIO TECHNOLOGIES, LLC. 13300 67th AVENUE NORTH MAPLE GROVE, MINNESOTA 55311 763-447-6260	
	DIMENSIONS ARE IN MILLIMETERS	DRAWN	RS		12/11/14
	TOLERANCES:	CHECKED	NSJ	12/11/14	TITLE: SCKT, 178G40 11X11.5-0.8X0.65
	ANGULAR: $\pm 1^\circ$	LEGEND:			
X.X ± 0.25	INTERPRET GEOMETRIC TOLERANCING PER:	\triangle NOTE CALLOUT		DWG. NO.	
X.XX ± 0.10	MATERIAL	\square REVISION CHANGE		109025-XXXX	
X.XXX ± 0.050	SEE BOM	\circ ITEM NUMBER		REV	
	FINISH			A	
	DO NOT SCALE DRAWING			SCALE: 5:1	
				SIZE: C	
				SHEET 1 OF 2	

SOCKET FOR DEVICES THAT ARE WITHIN THESE SPECIFICATIONS					
Lead Count	N	178	Package Size	D	13.00
Columns	ND	13		E	11.5
Rows	NE	17	Ball Spacing	D1	9.600
Pitch	e	0.80 X 0.65		E1	10.400
Ball Size	b	0.30±0.05	Encapsulant/ Top Size	D2	n/a
Total Thickness	A	n/a		E2	n/a
Ball Height	A1	0.225 MIN	Pattern Style	IRREGULAR*	
Substrate Thickness	A2	n/a	Perimeter Rows	N/A	
Top Thickness	A3		Center Array	N/A	
Form Tolerances					
Edge	aaa	0.10	Bottom	ddd	0.08
Substrate	bbb	0.10	Position	eee	0.15
top	ccc	0.10	Position	fff	0.05

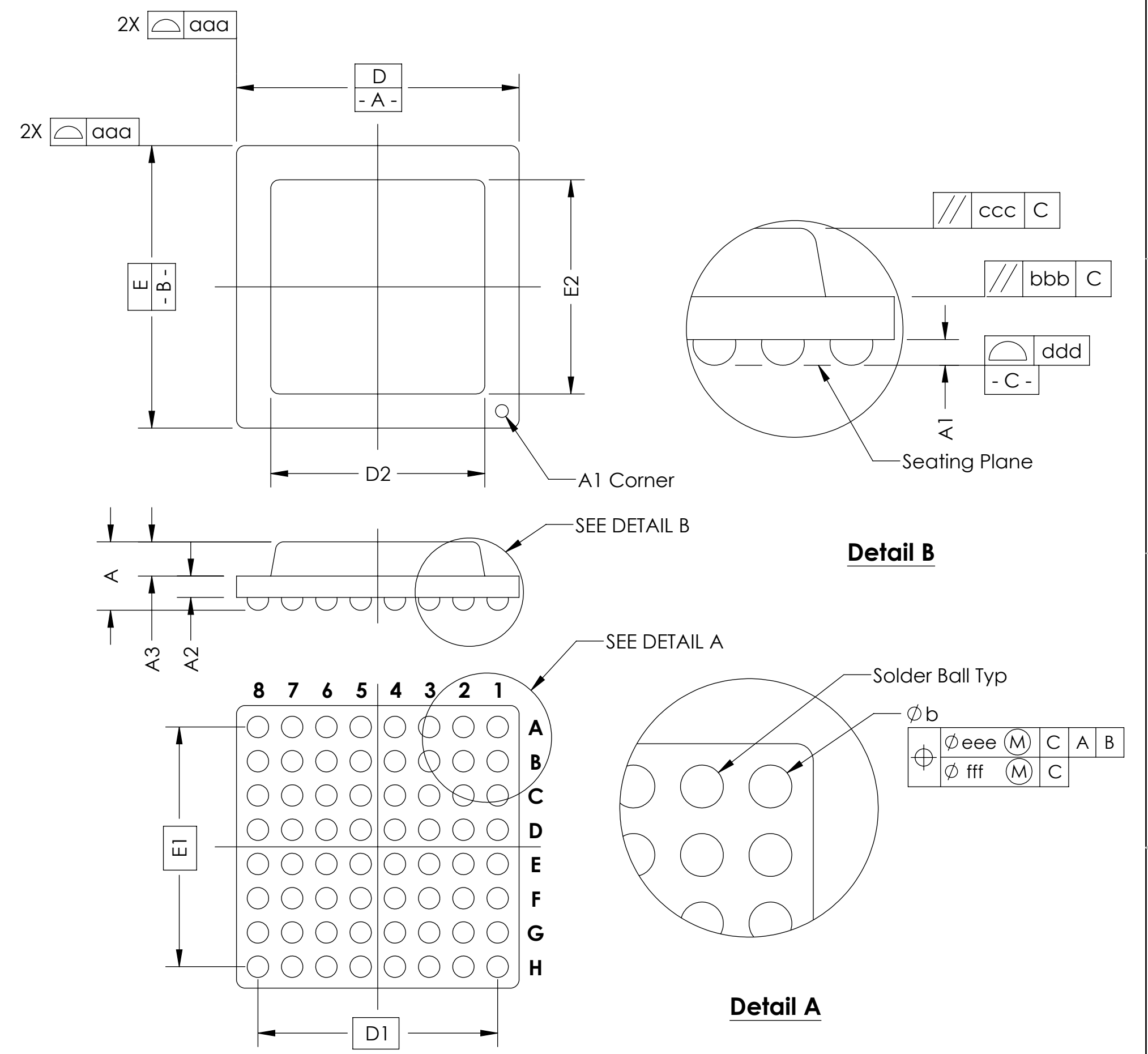
All dimensions are in millimeters.
* See footprint for pattern details.




HOUSING
107247-0069



CONTACT
104468-0015



Generic Representation with Full Grid Array

PROPRIETARY AND CONFIDENTIAL			
THE INFORMATION CONTAINED IN THIS DRAWING IS THE SOLE PROPERTY OF HSI0 TECHNOLOGIES, LLC. ANY REPRODUCTION IN PART OR AS A WHOLE WITHOUT THE WRITTEN PERMISSION OF HSI0 TECHNOLOGIES, LLC IS PROHIBITED.			
UNLESS OTHERWISE SPECIFIED: DIMENSIONS ARE IN MILLIMETERS TOLERANCES: ANGULAR: ± 1° X.X ±0.25 X.XX ±0.10 X.XXX ±0.050		NAME DATE	HSI0 TECHNOLOGIES, LLC. 13300 67th AVENUE NORTH MAPLE GROVE, MINNESOTA 55311 763-447-6260
DRAWN	RS	12/11/14	
CHECKED	NSJ	12/11/14	TITLE: SCKT, 178G40 11X11.5- 0.8X0.65
LEGEND: △ NOTE CALLOUT ◻ REVISION CHANGE ○ ITEM NUMBER		 109025-XXXX	
SCALE: 5:1		SIZE: C	SHEET 2 OF 2