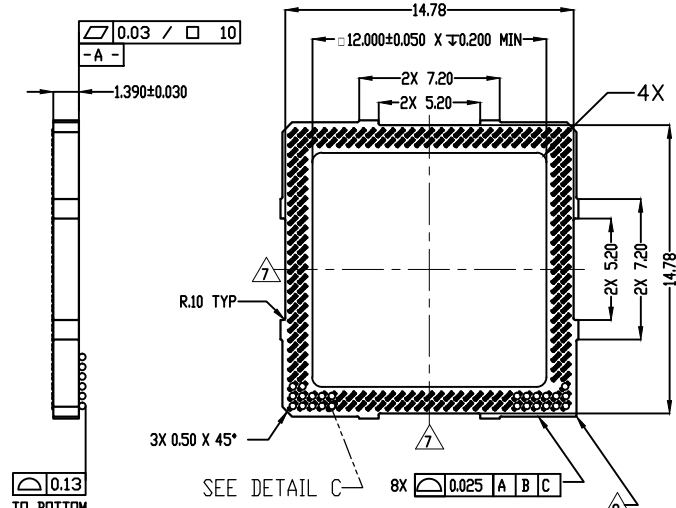
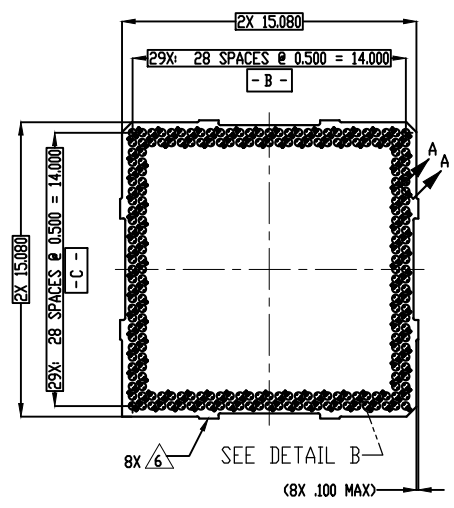
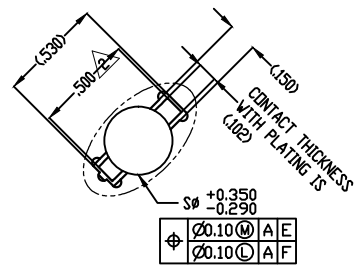
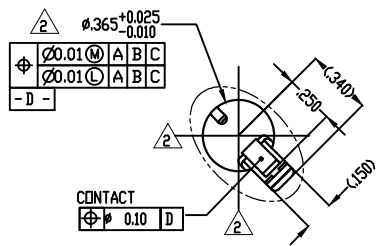
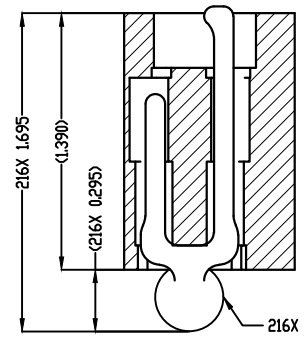


REV	ECO	BY	DESCRIPTION	APV	DATE
A	31615	RS	Initial Design	NSJ	03/05/15



- Notes:
- Reference HSID TECHNOLOGIES, LLC. specification 700001-001 for solder attachment.
  - Dimension locates center of contact/ slot.
  - Reference HSID TECHNOLOGIES, LLC. specification 700001-002 for application notes.
  - Footprint part number is 104311-0319.
  - Datums -B- and -C- are determined by ø0.365 features on corner slots.
  - Tooling marks permitted. Maximum 0.10 protrusion (shown).
  - E- Center of contact pattern.
  - Not all Solder Balls are shown.
  - 'A1' indicator is represented by 90° corner.

PARTS LIST	
Part Number	Description
107612-0012	CS, 216G4015-050
103864-0005	PRESS. DEVICE INSERT, GRYP 15 (SOLD SEPARATELY)
105900-0004	EXTRACTION TOOL, 4 X 53 (SOLD SEPARATELY)
104553-0245	STEN FLEX, 216G4015-050 (SOLD SEPARATELY)
108639-0005	FRAME, ALIGN, G40, 15 X 15 (SOLD SEPARATELY)



UNLESS OTHERWISE SPECIFIED - DIMENSIONS ARE IN MILLIMETERS - DIMS APPLY AFTER PLATING - DIMENSIONS UNLESS OTHERWISE NOTED

THE INFORMATION CONTAINED IN THIS DRAWING IS THE SOLE PROPERTY OF HSID TECHNOLOGIES, LLC. ANY REPRODUCTION IN PART OR WHOLE WITHOUT THE WRITTEN PERMISSION OF HSID TECHNOLOGIES, LLC IS PROHIBITED.

CAD GENERATED DRAWING  
DO NOT MANUALLY UPDATE

HSID TECHNOLOGIES, LLC.  
13300 67TH AVENUE, NORTH  
MAPLE GROVE, MN 55311. 763-447-6260

DRAWING APPROVALS

NAME	DATE	TITLE
R. Senharcck	03/05/15	SCKT, 216G4015-050 WITH SAC305 SOLDER BALLS
M. St. Jacques	03/05/15	

LEGEND

- NOTE CALLOUT
- REVISION CHANGE
- ITEM NUMBER

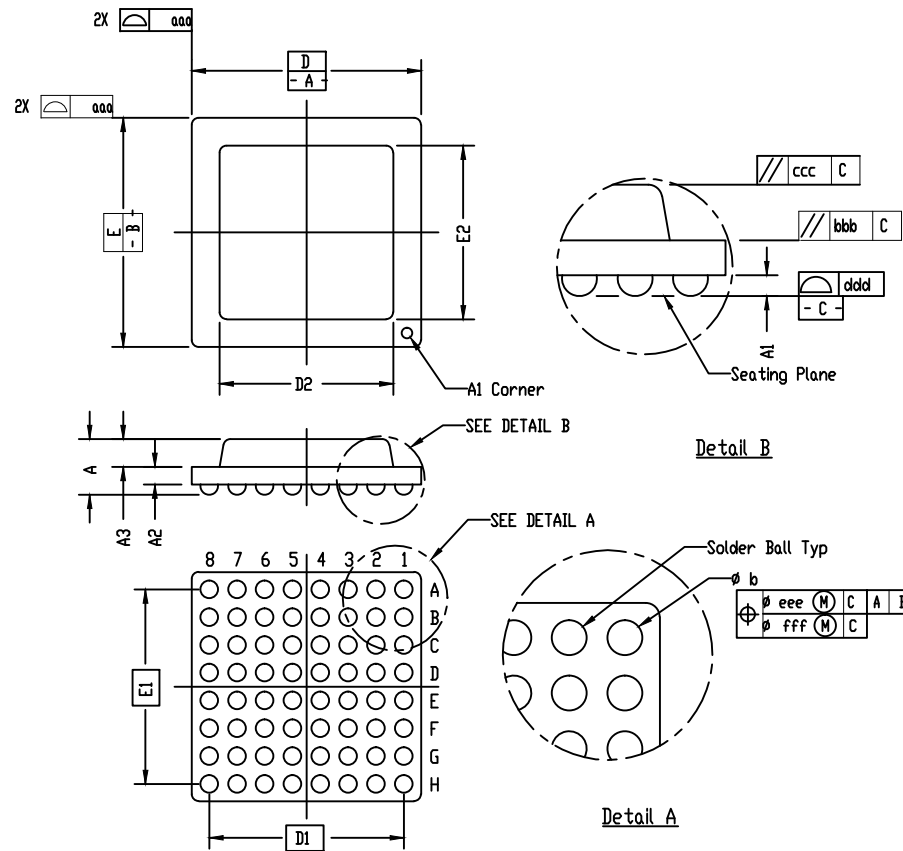
THIRD ANGLE PROJECTION

SCALE: SEE BOM

1 of 2

SOCKET FOR DEVICES THAT ARE WITHIN THESE SPECIFICATIONS					
Lead Count	N	216	Package Size	D	15.00
Columns	ND	29	Ball Spacing	E	15.00
Rows	NE	29		D1	14.000
Pitch	e	0.50	Encapsulant/ Top Size	E1	14.000
Ball Size	b	0.35±0.05		D2	n/a
Total Thickness	A	n/a	Pattern Style	E2	n/a
Ball Height	A1	0.225 min.		PERIMETER*	
Substrate Thickness	A2	n/a	Perimeter Rows	2	
Top Thickness	A3		Center Array	n/a	
Form Tolerances					
Edge	aaa	0.10	Bottom	ddd	0.08
Substrate	bbb	0.10	Position	eee	0.15
top	ccc	0.10	Position	fff	0.05

All dimensions are in millimeters.  
\* See footprint for pattern details.



Generic Representation with Full Grid Array

THE INFORMATION CONTAINED IN THIS DRAWING IS THE SOLE PROPERTY OF HSD TECHNOLOGIES, LLC. ANY REPRODUCTION IN PART OR WHOLE WITHOUT THE WRITTEN PERMISSION OF HSD TECHNOLOGIES, LLC IS PROHIBITED.			
UNLESS OTHERWISE SPECIFIED - DIMENSIONS ARE IN MILLIMETERS - DIMS APPLY AFTER PLATING TOLERANCES UNLESS OTHERWISE NOTED:		HSD TECHNOLOGIES, LLC. 13300 67TH AVENUE NORTH MAPLE GROVE, MN 55311. 763-447-6260	
DECIMALS X.X X.XX X.XXX	ANGLES X°	TITLE <b>SCKT, 216G4015-0.50 WITH SAC305 SOLDER BALLS</b>	DATE C
LEGEND NOTE CALLOUT REVISION CHANGE ITEM NUMBER	SCALE C	DRAWING NO. 107250-0067	REV. A
		See Page 1	SHEET 2 of 2