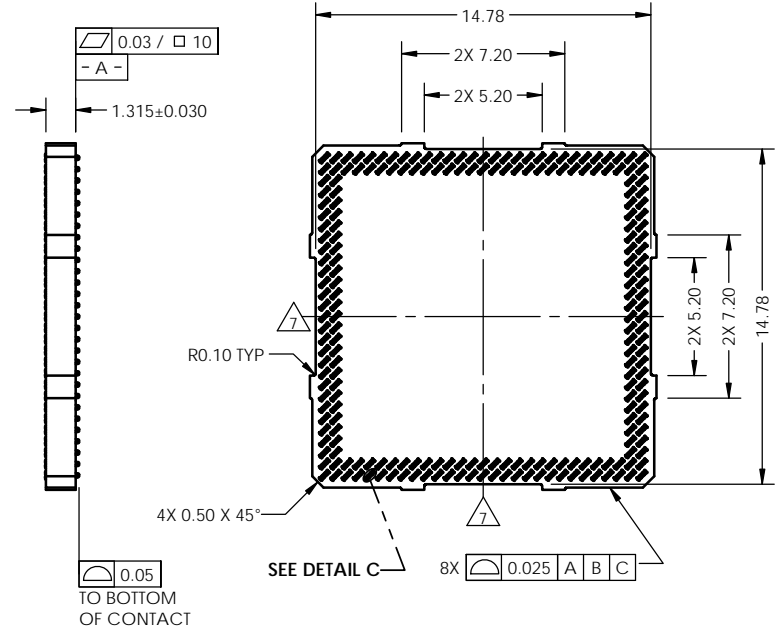
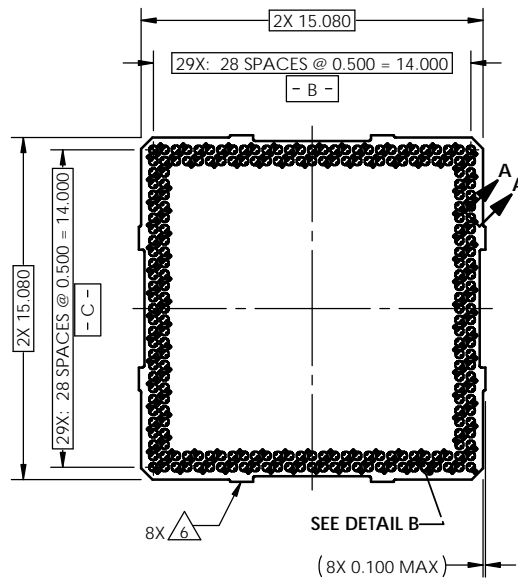
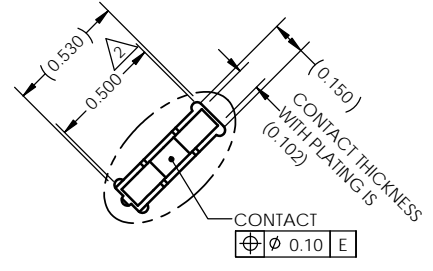
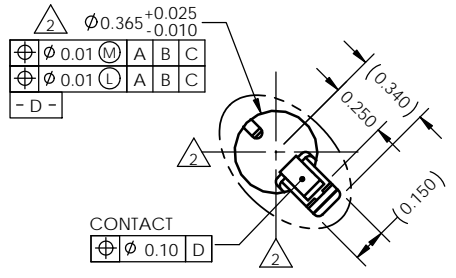
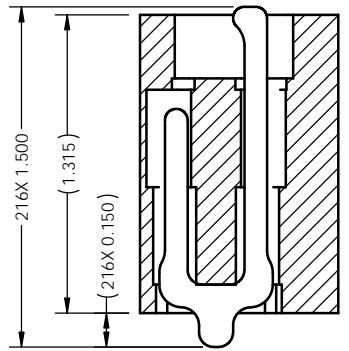


REV	ECO	BY	DESCRIPTION	APV	DATE
A	31068	SK	Initial Design	KW	04/25/12



Notes:

- Reference R&D Interconnect Solutions specification 103862-0004 for solder attachment.
- Dimension locates center of contact/ slot.
- Reference R&D Interconnect Solutions specification 103863-0001 for application notes.
- Footprint part number is 104311-0319.
- Datums **- B -** and **- C -** are determined by $\phi 0.365$ features on corner slots.
- Tooling marks permitted. Maximum 0.10 protrusion (shown).
- E -** Center of contact pattern.



PARTS LIST	
Part Number	Description
107612-0007	CS, 216G4015-0.50
103864-0005	PRESS, DEVICE INSERT, GRYP 15 (SOLD SEPARATELY)
105900-0004	EXTRACTION TOOL, 4 X 53 (SOLD SEPARATELY)
104553-0245	STEN FLEX, 216G4015-0.50 (SOLD SEPARATELY)
106083-0015	FRAME, ALIGN, G40, 15

SECTION A-A
SCALE 10:1

DETAIL B (216X)
SCALE 10:1

DETAIL C (216X)
SCALE 10:1

UNLESS OTHERWISE SPECIFIED DIMENSIONS ARE IN MILLIMETERS DIMS APPLY AFTER PLATING TOLERANCES UNLESS OTHERWISE NOTED:

ANGLES ±1°	DECIMALS XX ±0.25 XXX ±0.10 XXXX ±0.050
------------	--

THE INFORMATION CONTAINED IN THIS DRAWING IS THE SOLE PROPERTY OF CASCADE MICROTECH, INC. ANY REPRODUCTION IN PART OR WHOLE WITHOUT THE WRITTEN PERMISSION OF CASCADE MICROTECH, INC. IS PROHIBITED.

CAD GENERATED DRAWING DO NOT MANUALLY UPDATE

DRAWING APPROVALS	
DESIGN: S. Klanderud	DATE: 04/25/12
APPV: K. Wilson	DATE: 04/25/12

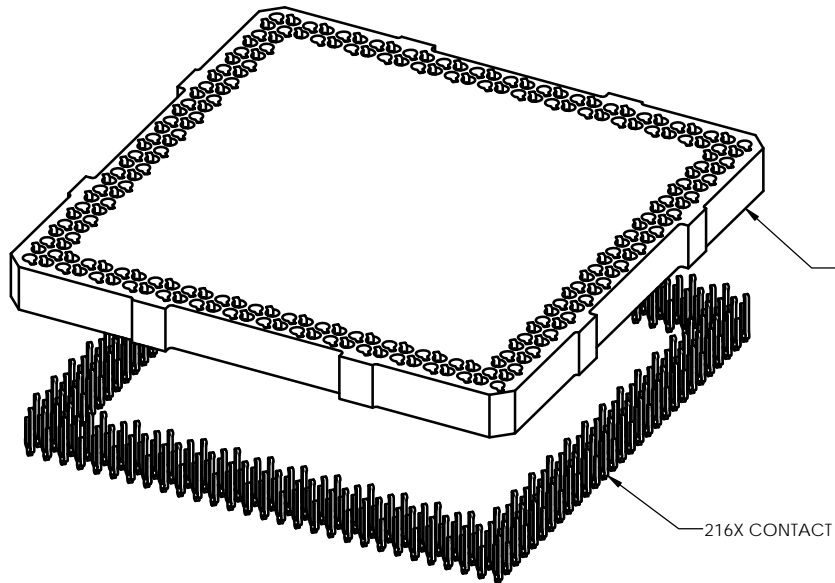
7115 NORTHLAND TERRACE SUITE 400
BROOKLYN PARK, MN 55428
(763) 509-0066

SCKT, 216G4015-0.50

LEGEND:	THIRD ANGLE PROJECTION	SCALE: C	MATERIAL: CAD/FORMAN SOLIDWORKS	DRAWING NO: 107610-0007	SHEET: A
NOTE CALLOUT				SEE BOM	1 of 2

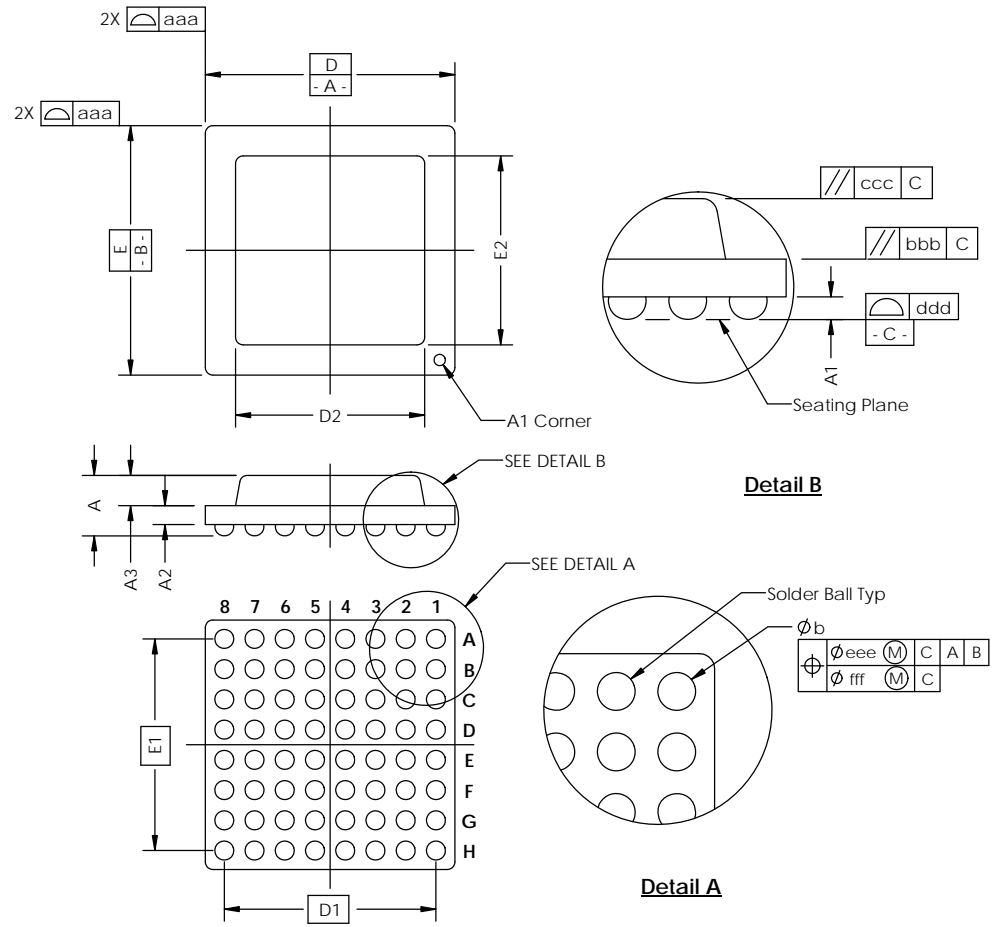
SOCKET FOR DEVICES THAT ARE WITHIN THESE SPECIFICATIONS					
Lead Count	N	216	Package Size	D	15.00
Columns	ND	29	Ball Spacing	E	15.00
Rows	NE	29		D1	14.000
Pitch	e	0.50	Encapsulant/ Top Size	E1	14.000
Ball Size	b	0.30±0.05		D2	n/a
Total Thickness	A	n/a	Pattern Style	E2	n/a
Ball Height	A1	0.225 min.		PERIMETER*	
Substrate Thickness	A2	n/a	Perimeter Rows	2	
Top Thickness	A3		Center Array	n/a	
Form Tolerances					
Edge	aaa	0.10	Bottom	ddd	0.08
Substrate	bbb	0.10	Position	eee	0.15
top	ccc	0.10	Position	fff	0.05

All dimensions are in millimeters.
* See footprint for pattern details.



HOUSING
107613-0007

216X CONTACT



Detail B

Detail A

Generic Representation with Full Grid Array

UNLESS OTHERWISE SPECIFIED - DIMENSIONS ARE IN MILLIMETERS - DIMS APPLY AFTER PLATING TOLERANCES UNLESS OTHERWISE NOTED: DECIMALS ANGLES X.X ±0.25 X.XX ±0.10 X.XXX ±0.050				 7115 NORTHLAND TERRACE SUITE 400 BROOKLYN PARK, MN 55428 (763) 509-0066	
SCKT, 216G4015-0.50				DRAWING NO. 107610-0007 REV. A	
LEGEND:	NOTE CALLOUT	REVISION CHANGE	ITEM NUMBER	SCALE	SHEET
				See Page 1	2 of 2