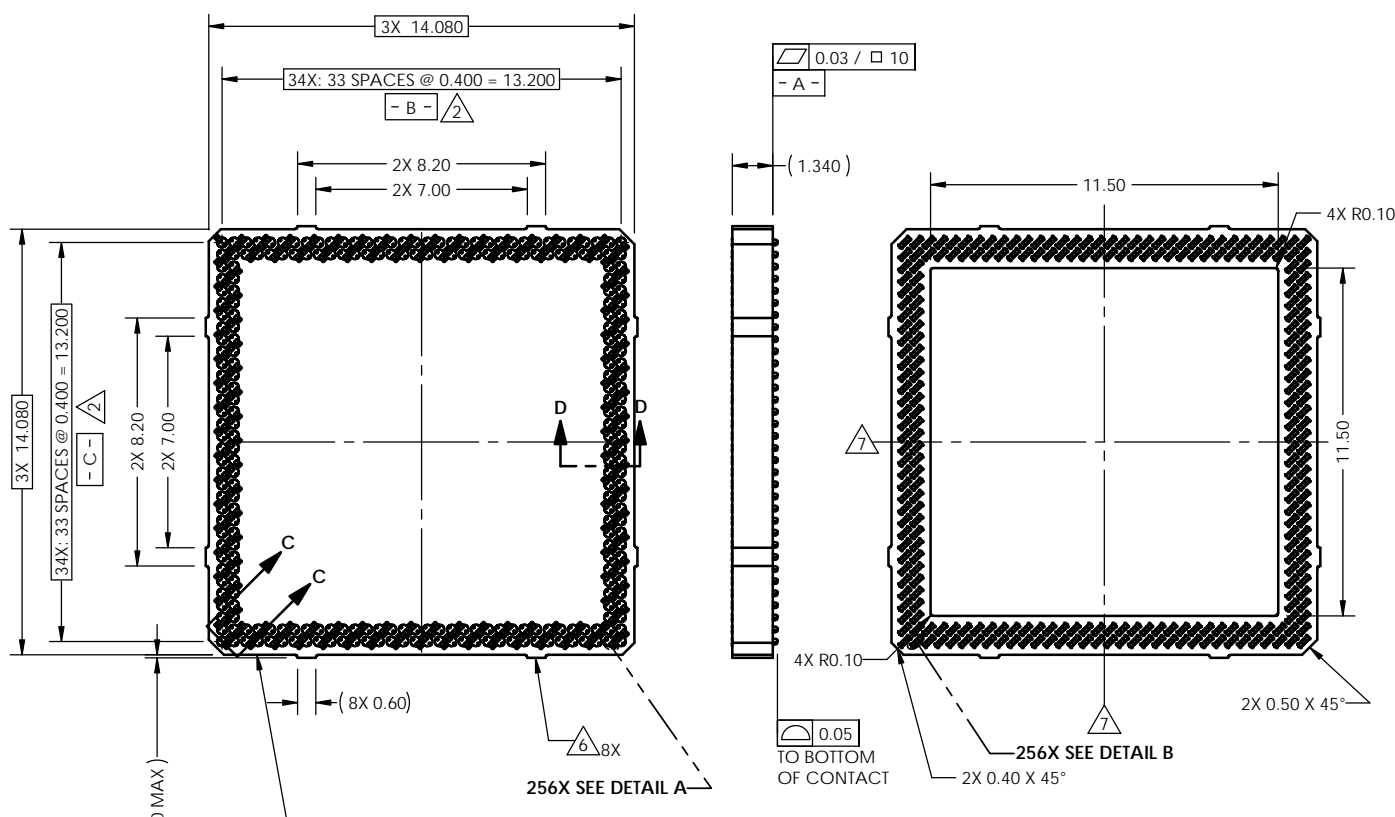


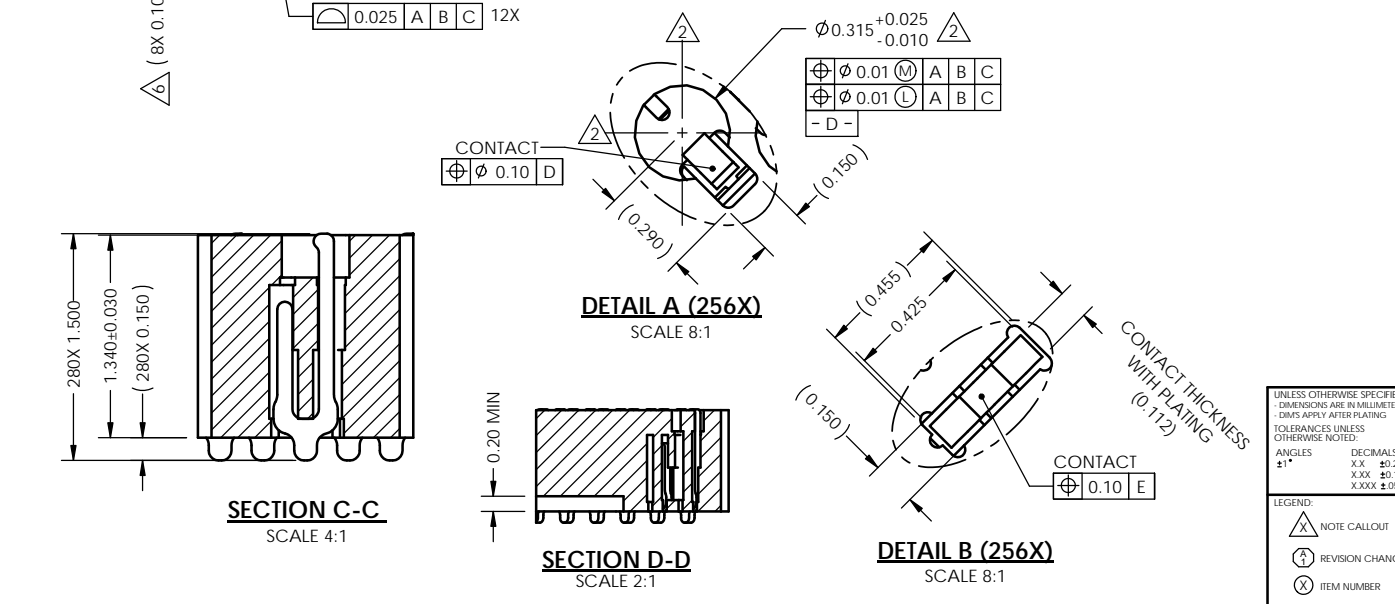
REV	ECO	BY	DESCRIPTION	APV	DATE
A	31202	WB	Initial Design	KW	09/20/12



Notes:

- Reference R&D Interconnect Solutions specification 103862-0004 for solder attachment.
- Dimension locates center of contact/slot.
- Reference R&D Interconnect Solutions specification 103863-0001 for application notes.
- Footprint part number is 104311-0340.
- Datums **- B -** and **- C -** are determined by $\phi 0.315$ features on corner slots.
- Tooling marks permitted. Maximum 0.10 protrusion (shown).
- E -** Center of contact pattern.

Parts List	
Part Number	Description
107620-0008	SCKT, 256G4014-0.40
103864-0004	PRESS, DEVICE INSERT, GRYP, 14 (SOLD SEPERATELY)
105900-0004	EXTRACTION TOOL, 4 X 53 (SOLD SEPERATELY)
107030-0047	STEN FLEX 256G4014-0.40 (SOLD SEPERATELY)



UNLESS OTHERWISE SPECIFIED DIMENSIONS ARE IN MILLIMETERS DIMS APPLY AFTER PLATING TOLERANCES UNLESS OTHERWISE NOTED

THE INFORMATION CONTAINED IN THIS DRAWING IS THE SOLE PROPERTY OF R&D INTERCONNECT SOLUTIONS. ANY REPRODUCTION IN PART OR WHOLE WITHOUT THE WRITTEN PERMISSION OF R&D INTERCONNECT SOLUTIONS IS PROHIBITED.

CAD GENERATED DRAWING DO NOT MANUALLY UPDATE

7115 NORTHLAND TERRACE SUITE 400 BROOKLYN PARK, MN 55428 (763) 509-0066

DRAWING APPROVALS

NAME	DATE
W. Butterfield	09/20/12
K. Wilson	09/20/12

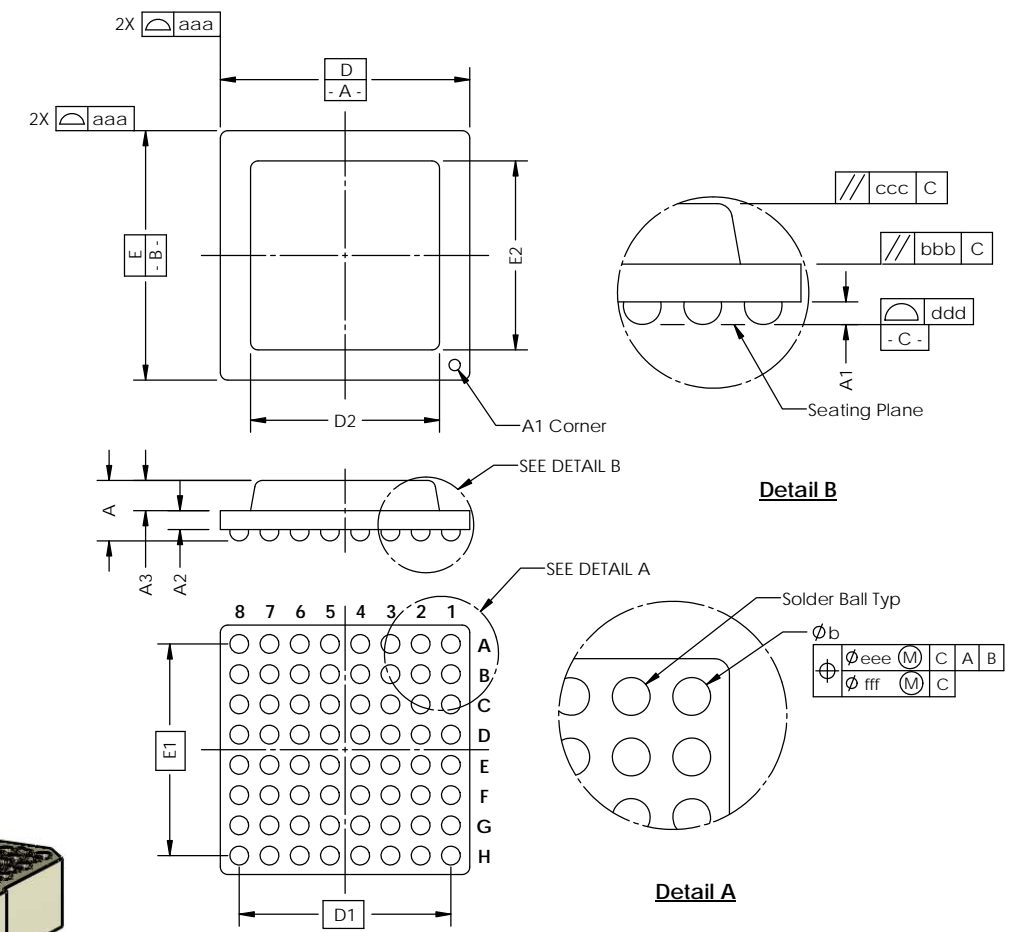
SCKT, 256G4014-0.40

THIRD ANGLE PROJECTION

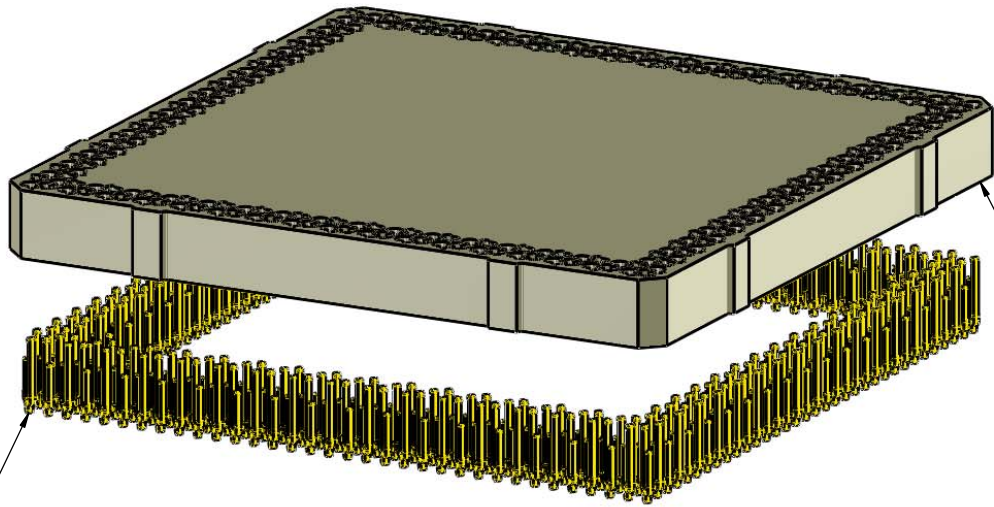
SCALE	C	UNIFORM	SOLIDWORKS	QUANTIFIED	107620-0008	SHEET	A
MATERIAL		SEE BOM		1		1 of 2	

SOCKET FOR DEVICES THAT ARE WITHIN THESE SPECIFICATIONS					
Lead Count	N	256	Package Size	D	14.00
Columns	ND	34	Ball Spacing	E	14.00
Rows	NE	34		D1	13.200
Pitch	e	0.40	Encapsulant/ Top Size	E1	13.200
Ball Size	b	0.25±0.05		D2	n/a
Total Thickness	A	n/a	Pattern Style	E2	n/a
Ball Height	A1	0.175 MIN		Perimeter*	
Substrate Thickness	A2	n/a	Perimeter Rows		2
Top Thickness	A3		Center Array		
Form Tolerances					
Edge	aaa	0.10	Bottom	ddd	0.08
Substrate	bbb	0.10	Position	eee	0.15
top	ccc	0.10	Position	fff	0.05

All dimensions are in millimeters.
* See footprint for pattern details.



Generic Representation with Full Grid Array



256X CONTACT (104468-0014)

HSG 107623-0008

THE INFORMATION CONTAINED IN THIS DRAWING IS THE SOLE PROPERTY OF R&D INTERCONNECT SOLUTIONS. ANY REPRODUCTION IN PART OR WHOLE WITHOUT THE WRITTEN PERMISSION OF R&D INTERCONNECT SOLUTIONS IS PROHIBITED.			
UNLESS OTHERWISE SPECIFIED - DIMENSIONS ARE IN MILLIMETERS - DIMES APPLY AFTER PLATING TOLERANCES UNLESS OTHERWISE NOTED:	DECIMALS X.X ±0.25 X.XX ±0.10 X.XXX ±0.050		7115 NORTHLAND TERRACE, SUITE 400 BROOKLYN PARK, MN 55428 (763) 509-0066
SCKT, 256G4014-0.40			
LEGEND:	NOTE CALLOUT	REV. C	DATE FORNAT
	REVISION CHANGE	SOLIDWORKS	DRAWING NO. 107620-0008
	ITEM NUMBER	SCALE	SHEET 2 of 2
		See Page 1	