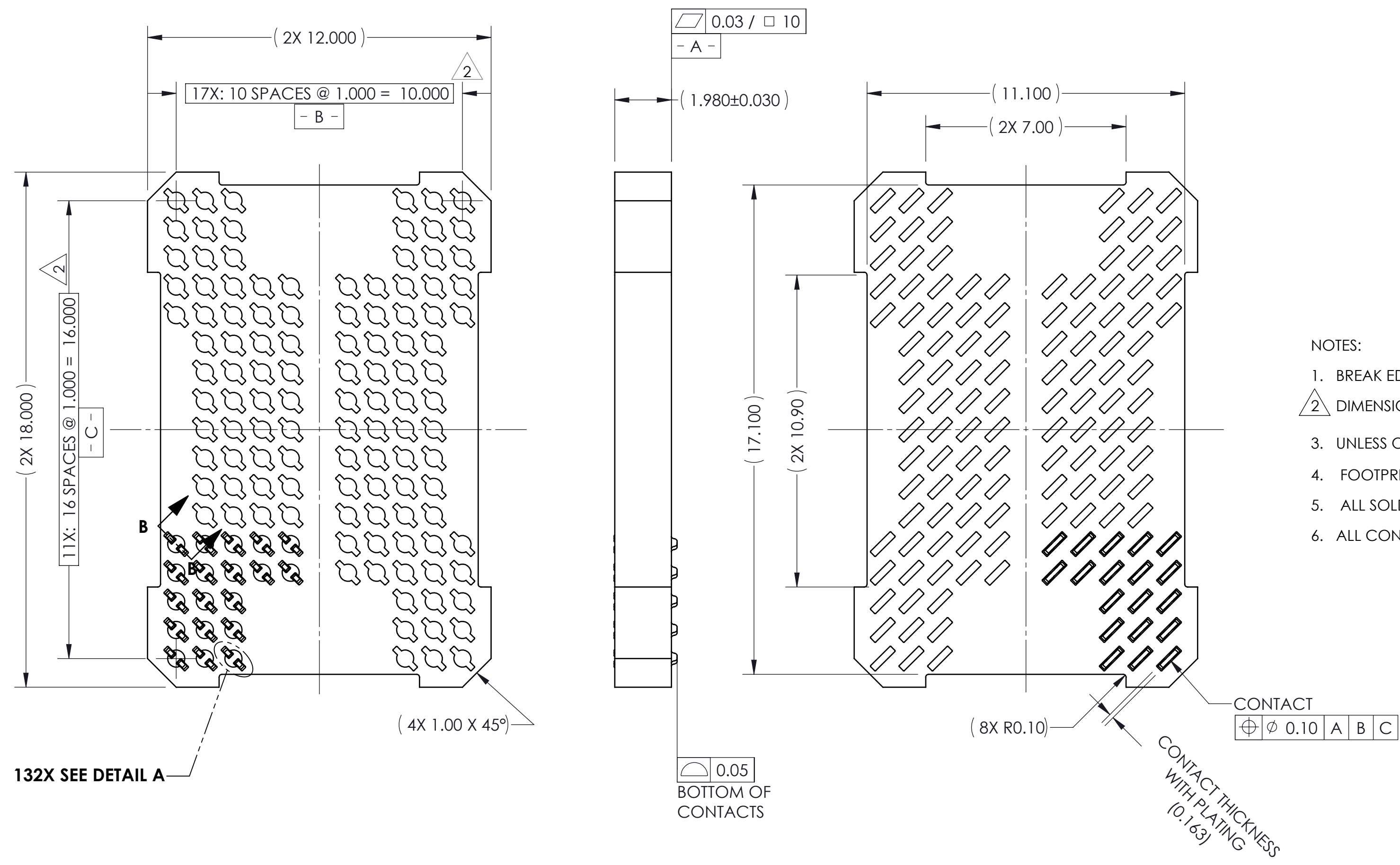
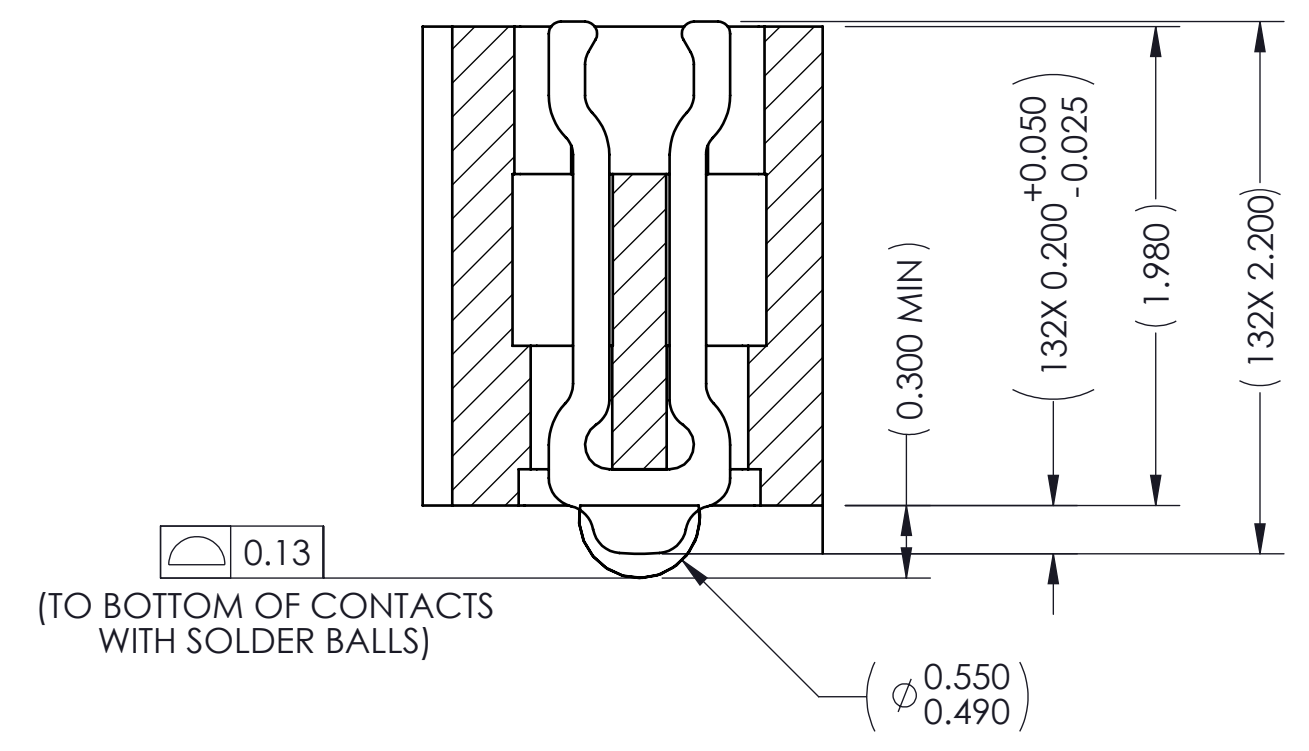
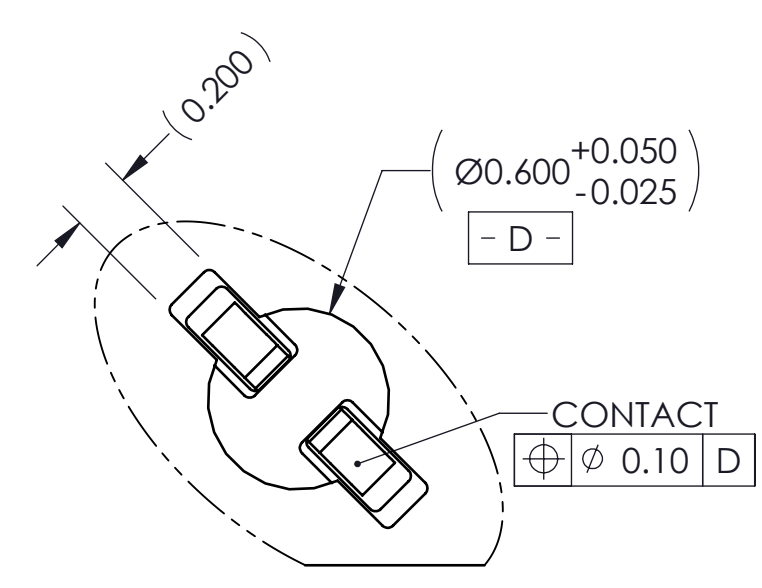


REV	ECO	BY	DESCRIPTION	APV	DATE
A	31754	PAR	INITIALS DESIGN	NSJ	04/06/16



- NOTES:
- BREAK EDGES 0.05-0.15.
  - DIMENSIONS LOCATES CENTER OF SLOTS/CONTACT.
  - UNLESS OTHERWISE NOTED, ALL FEATURES LOCATED  $\varnothing 0.10$  A B C
  - FOOTPRINT PART NUMBER IS 104311-0287.
  - ALL SOLDER BALLS ARE NOT SHOWN TO MINIMIZE FILE SIZE.
  - ALL CONTACTS ARE NOT SHOWN TO MINIMIZE FILE SIZE.

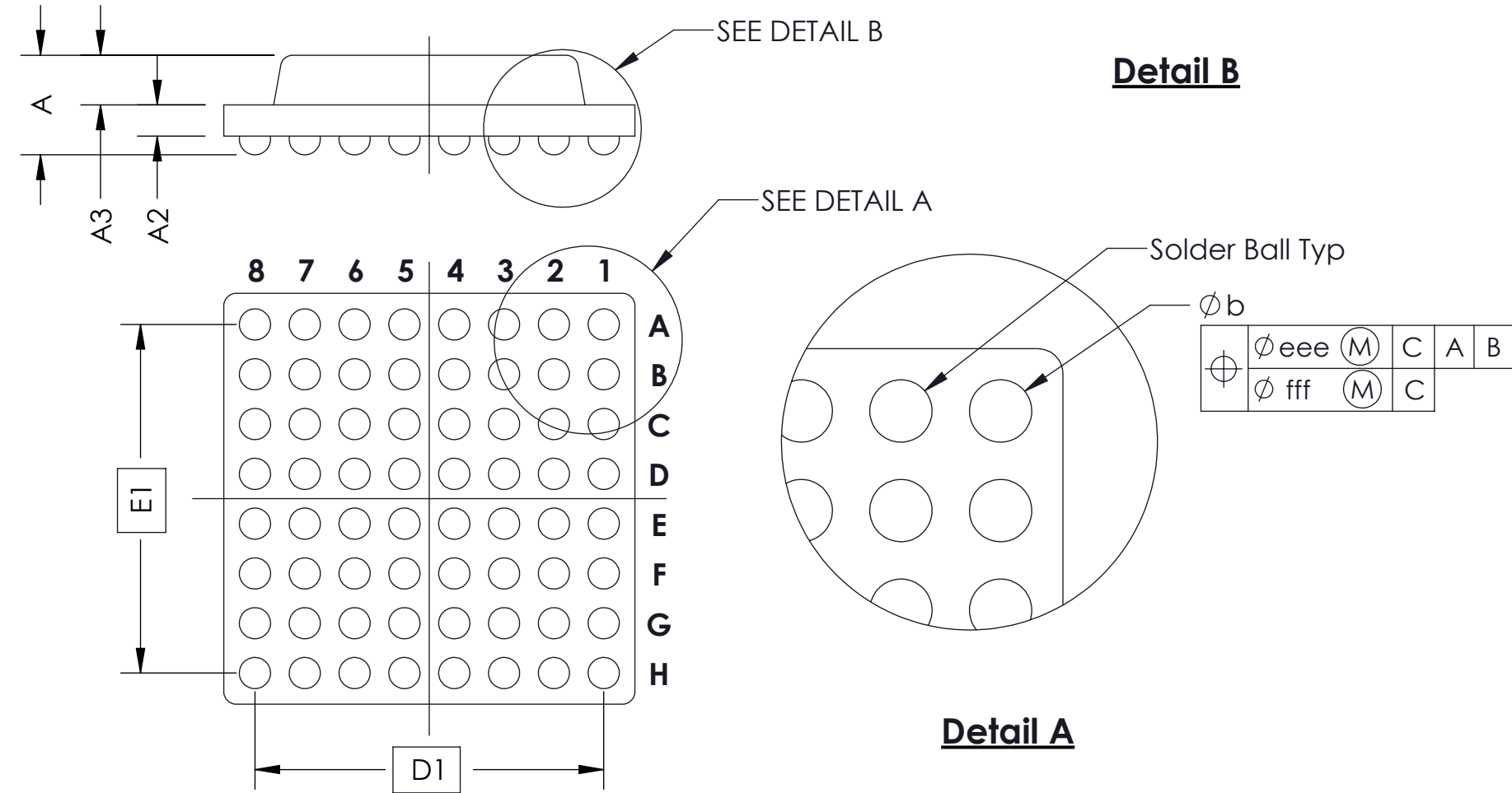
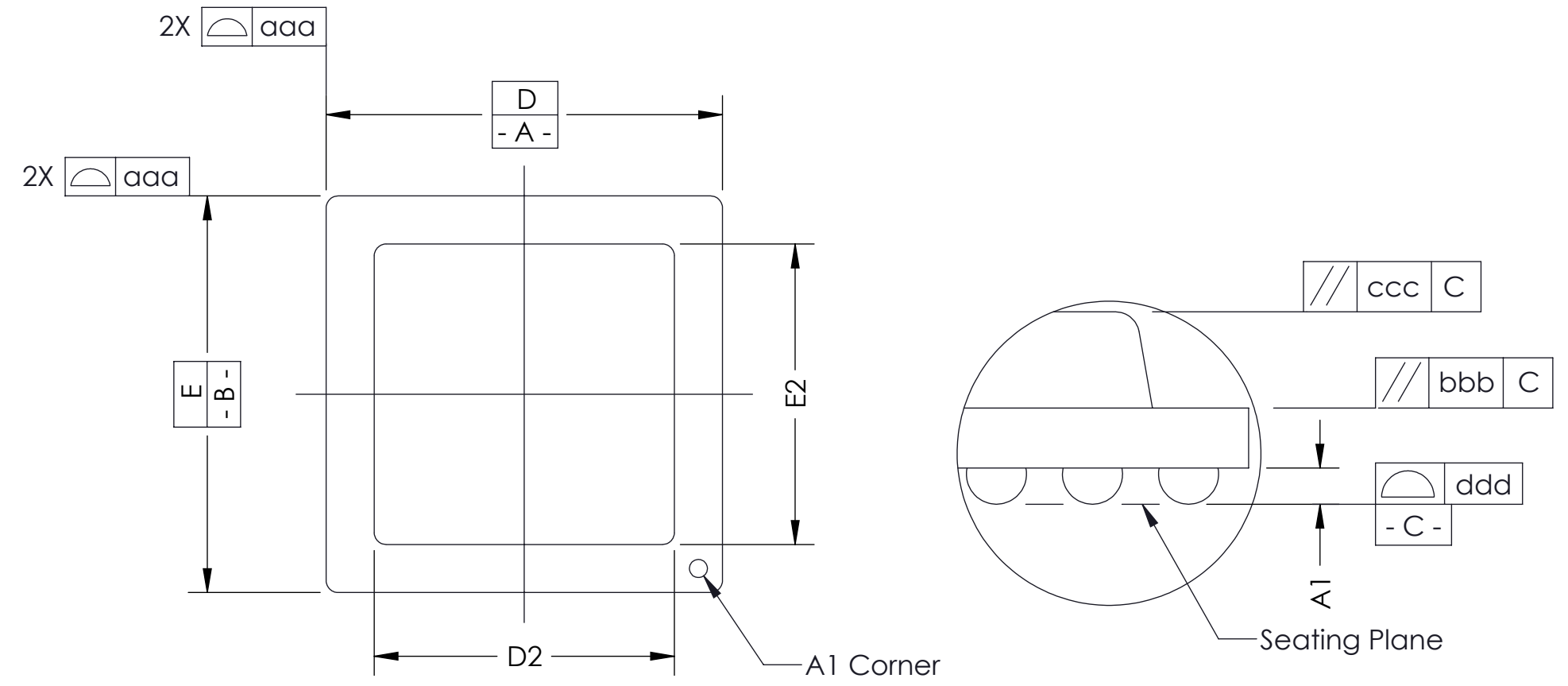
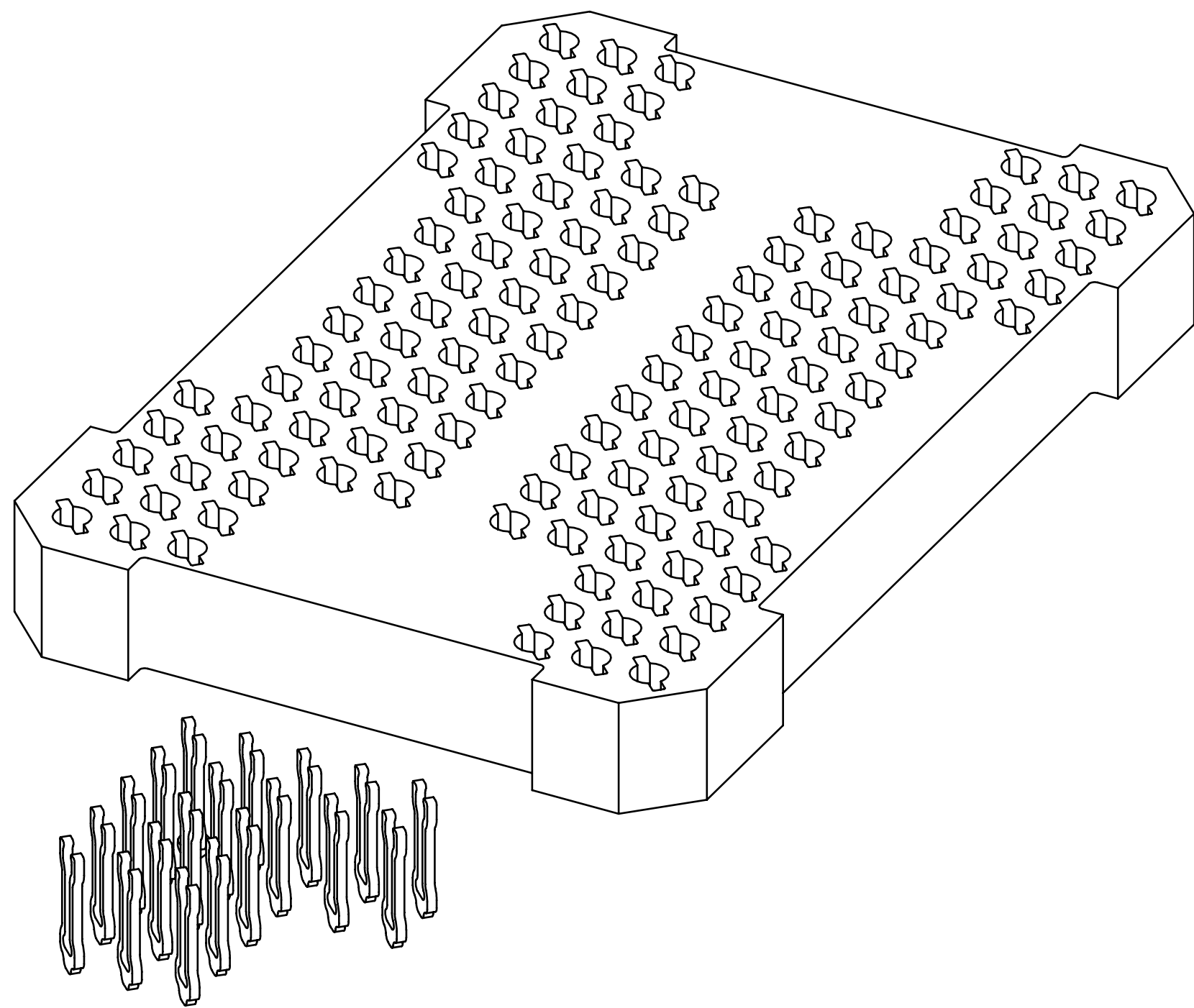
132X SEE DETAIL A




PARTS LIST	
PART NUMBER	DESCRIPTION
104670-0043	SCKT, 132GRY12X18-1.00
104671-0032	CS, 132GRY12X18-1.00
103864-0083	PRESS, DEV INS, 12 X 18 (SOLD SEPARATELY)

 <b>HSIO technologies</b> PROPRIETARY AND CONFIDENTIAL <small>THE INFORMATION CONTAINED IN THIS DRAWING IS THE SOLE PROPERTY OF HSIO TECHNOLOGIES, LLC. ANY REPRODUCTION IN PART OR AS A WHOLE WITHOUT THE WRITTEN PERMISSION OF HSIO TECHNOLOGIES, LLC IS PROHIBITED.</small>	UNLESS OTHERWISE SPECIFIED:	NAME	DATE	<b>HSIO TECHNOLOGIES, LLC.</b> 13400 68th AVENUE NORTH MAPLE GROVE, MINNESOTA 55311 763-447-6260 TITLE: SCKT, 132GRY 12 X 18-1.00 (EUTECTIC) DWG. NO. <b>104670-0043</b> SCALE: 5:1   SIZE: C   SHEET 1 OF 2	
	DIMENSIONS ARE IN MILLIMETERS	DRAWN	PAR		04/06/16
	TOLERANCES: ANGULAR: ± 1° X.X ±0.25 X.XX ±0.10 X.XXX ±0.050	CHECKED	NSJ		04/06/16
	INTERPRET GEOMETRIC TOLERANCING PER:	LEGEND:			
MATERIAL SEE BOM	△ NOTE CALLOUT				
FINISH	□ REVISION CHANGE				
DO NOT SCALE DRAWING	○ ITEM NUMBER				
				REV <b>A</b>	

Device Specification					
Lead Count	<b>N</b>	132	Package Size	<b>D</b>	12.00
Columns	<b>ND</b>	11		<b>E</b>	18.00
Rows	<b>NE</b>	17	Ball Spacing	<b>D1</b>	10.00
Pitch	<b>e</b>	1.000		<b>E1</b>	16.00
Ball Size	<b>b</b>	0.50±0.05	Encapsulant/ Top Size	<b>D2</b>	N/A
Total Thickness	<b>A</b>	N/A	Pattern Style	<b>E2</b>	N/A
Ball Height	<b>A1</b>	0.30 min			Irregular
Substrate Thickness	<b>A2</b>	N/A	Perimeter Rows		N/A
Top Thickness	<b>A3</b>	N/A	Center Array		N/A
Form Tolerances					
Edge	<b>aaa</b>	0.20	Bottom	<b>ddd</b>	0.15
Substrate	<b>bbb</b>	0.20	Position	<b>eee</b>	0.20
top	<b>ccc</b>	0.20	Position	<b>fff</b>	0.08
ALL DIMENSIONS ARE IN MILLIMETERS. *SEE FOOTPRINT SPECIFICATION FOR PATTERN DETAILS.					



**Generic Representation with Full Grid Array**

 <p><b>HSIO technologies</b> PROPRIETARY AND CONFIDENTIAL</p> <p>THE INFORMATION CONTAINED IN THIS DRAWING IS THE SOLE PROPERTY OF HSIO TECHNOLOGIES, LLC. ANY REPRODUCTION IN PART OR AS A WHOLE WITHOUT THE WRITTEN PERMISSION OF HSIO TECHNOLOGIES, LLC IS PROHIBITED.</p>	UNLESS OTHERWISE SPECIFIED:	NAME	DATE	<b>HSIO TECHNOLOGIES, LLC.</b> 13400 68th AVENUE NORTH MAPLE GROVE, MINNESOTA 55311 763-447-6260	
	DIMENSIONS ARE IN MILLIMETERS TOLERANCES: ANGULAR: ± 1° X.X ±0.25 X.XX ±0.10 X.XXX ±0.050	DRAWN	PAR		04/06/16
	INTERPRET GEOMETRIC TOLERANCING PER:	CHECKED	NSJ	04/06/16	TITLE:
	MATERIAL SEE BOM	LEGEND:			SCKT, 132GRY 12 X 18-1.00 (EUTECTIC)
FINISH	DO NOT SCALE DRAWING	△	NOTE CALLOUT	DWG. NO.	
		○	REVISION CHANGE	104670-0043	
		○	ITEM NUMBER	REV	
				A	
				SCALE: 5:1 SIZE: C SHEET 2 OF 2	